

OPERATOR'S MANUAL

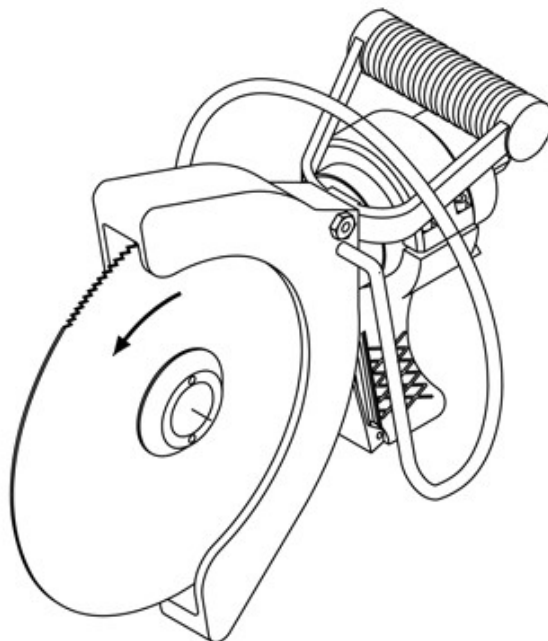
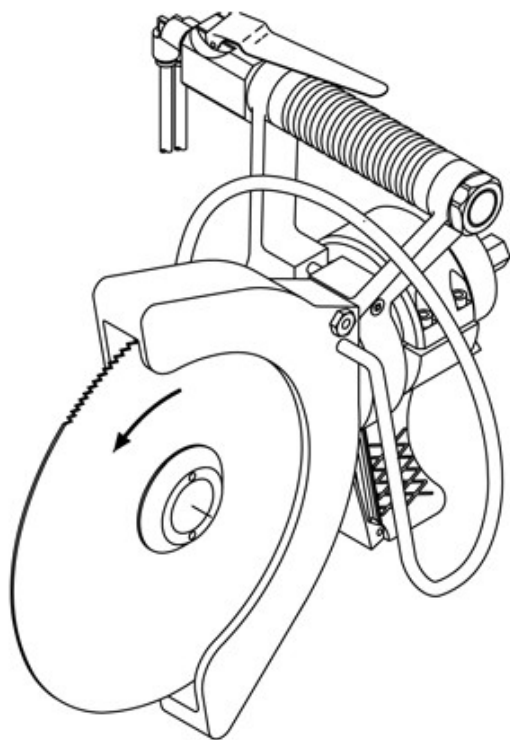
INCLUDING: OPERATION, INSTRUCTION, INSTALLATION, MAINTENANCE AND PARTSBOOK

IMPORTANT: READ THIS MANUAL CAREFULLY BEFORE INSTALLING, OPERATING OR SERVICING THIS TOOL.




HYDRAULIC BREAKING SAW "HKM-III"

TOOL DATA















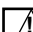
MODEL: HKM-III
ASSEMBLY No: 6623000
TYPE: AIR/HYDRAULIC OPERATED
NET WEIGHT: 13 LBS (6.0 KG)
HYDRAULIC PRESSURE: 1500 P.S.I. MAXIMUM
INLET AIR PRESSURE: 90 P.S.I. (6-7 BARS)



TWO TRIGGERS CONFIGURATION SINGLE TRIGGER CONFIGURATION

 WARNING	= Hazards or unsafe practices which could result in severe personal injury, death or substantial property damage.
 CAUTION	= Hazards or unsafe practices which could result in minor personal injury, product or property damage.
 NOTICE	= Important installation, operation or maintenance information.

OPERATING AND SAFETY INSTRUCTIONS

-  **WARNING** DO NOT OPERATE THIS TOOL UNTIL YOU HAVE READ AND UNDERSTOOD THE SAFETY INSTRUCTIONS AND OPERATING MANUALS.
-  **WARNING** DO NOT OPERATE THIS TOOL UNTIL YOU HAVE RECEIVED TRAINING IN THE HANDLING, OPERATION AND USE OF THIS TOOL.
-  **WARNING** STOP USING A MALFUNCTIONING OR DEFECTIVE TOOL IMMEDIATELY. REPORT ANY PROBLEMS OR DEFECTS TO YOUR SUPERVISOR FOR REMOVAL OF THE TOOL FROM SERVICE.
-  **WARNING** DO NOT ATTEMPT TO REPAIR THE TOOL YOURSELF.
-  **WARNING** DO NOT ALLOW UNAUTHORIZED PERSONS TO USE TOOL.
-  **WARNING** REMOVE AND DISCONNECT POWER FROM THE TOOL WHEN TOOL IS LEFT UNATTENDED OR IS NOT IN USE.
-  **WARNING** NEVER TIE DOWN, BYPASS, ALTER OR MODIFY THE ACTIVATING SWITCHES OR TRIGGERS OF THIS TOOL.
-  **WARNING** NEVER MAKE ALTERATIONS OR MODIFICATIONS TO THIS TOOL.
-  **WARNING** BE CONSTANTLY AWARE AND ALERT FOR UNSAFE CONDITIONS AND REPORT THEM IMMEDIATELY TO YOUR SUPERVISOR.
-  **WARNING** NEVER PLACE YOUR HAND OR ANY PART OF YOUR BODY IN THE CUTTING PATH OF THE TOOL.
-  **WARNING** NEVER ALLOW ANYONE ELSE TO PLACE THEIR HANDS OR ANY PART OF THEIR BODY IN THE CUTTING PATH OF THE TOOL.
-  **WARNING** DO NOT ACTIVATE CONTROL SWITCHES OR TRIGGERS OF THIS TOOL UNLESS YOU INTEND TO TEST OR OPERATE THIS TOOL.
-  **WARNING** DO NOT USE THIS TOOL FOR ANY PURPOSE OTHER THAN IT'S INTENDED PURPOSE.
- WHEN OPERATING THIS TOOL WEAR THE PROTECTIVE GEAR AND SAFETY EQUIPMENT SUPPLIED TO YOU.
-  **CAUTION**
- THE NOISE EMISSION (SOUND PRESSURE LEVEL) AT THE WORKSTATION MAY EXCEED 80 dB (A). EAR AND SOUND PROTECTION GEAR IS REQUIRED.
-  **WARNING**

OPERATING INSTRUCTIONS

⚠ WARNING ONLY TRAINED PERSONNEL ARE TO OPERATE THIS TOOL.

1. TO ENSURE TOOL IS OPERATING PROPERLY, PERFORM FOLLOWING STEPS AT START OF EACH SHIFT:
 - MAKE SURE TOOL MOVES UP AND DOWN FREELY WHILE HANGING FROM BALANCER OVERHEAD.
 - WITH POWER TO TOOL TURNED ON, TEST TRIGGER FOR PROPER OPERATION.
 - DEPRESS EACH TRIGGER SEPARATELY. TOOL SHOULD NOT ACTIVATE. DEPRESS BOTH TRIGGERS. TOOL SHOULD ACTIVATE.
 - IF TOOL HAS "ANTI-TIE DOWN" OPTION, BOTH TRIGGERS MUST BE DEPRESSED SIMULTANEOUSLY FOR TOOL TO ACTIVATE.
2. TO PERFORM WORK, HOLD TOOL FIRMLY AT BOTH HANDLES. SQUEEZE TRIGGERS TO ACTIVATE TOOL.
3. POSITION TOOL AND PERFORM CUTTING OPERATION.

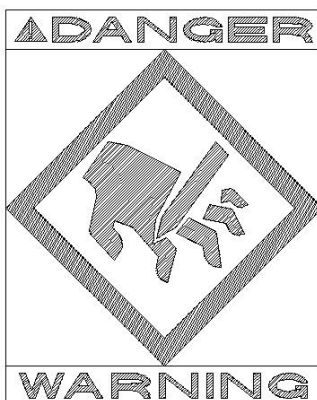
MAINTENANCE

⚠ WARNING ONLY TRAINED AND QUALIFIED PERSONNEL ARE TO PERFORM MAINTENANCE AND SERVICE TO THIS TOOL.

1. MAKE ALL NECESSARY LINE CONNECTIONS TO THE TOOL.
 2. AN AIR FILTER-REGULATOR-LUBRICATOR (PART NO. 7200030) MUST BE INSTALLED IN AIR SUPPLY FOR EACH TOOL.
3. FILL LUBRICATOR WITH KENTMASTER AIR MIST OIL (PART NO. 7903050). SET DRIP RATE ACCORDING TO INSTRUCTIONS SUPPLIED. TURN ADJUSTMENT ON SIGHT FEED DOME TO INCREASE/DECREASE OIL DELIVERY. MONITOR THE DEVICE BEING LUBRICATED AND READJUST IF NEEDED.
 4. TOOL REQUIRES 90 P.S.I. AIR PRESSURE.

SERVICE

1. KEEP GOOD RECORDS OF ALL SERVICE ACTIVITY AND INCLUDE TOOL IN PREVENTIVE MAINTENANCE PROGRAM.
2. USE ONLY GENUINE KENTMASTER REPLACEMENT PARTS TO ASSURE PROPER PERFORMANCE OF TOOL.
3. CONTACT THE KENTMASTER SUPPLIER NEAREST YOU FOR PARTS AND CUSTOMER SERVICE INFORMATION.



BLADE REMOVAL AND CLEANING.

⚠ WARNING ALWAYS DISCONNECT POWER SUPPLY FROM TOOL BEFORE INSTALLING OR REMOVING BLADE FROM TOOL.

⚠ WARNING ALWAYS WEAR WIRE MESH GLOVES WHEN INSTALLING OR REMOVING BLADE FROM TOOL.

1. REMOVE NUT (ITEM NO. 1, FIG. NO. 1).
2. REMOVE BLADE (ITEM NO. 2, FIG. NO. 1).
3. CLEAN ALL PARTS REMOVED WITH SOAP AND WATER.
4. SHARPEN OR REPLACE BLADES WHEN NECESSARY.
5. REASSEMBLE IN REVERSE ORDER.

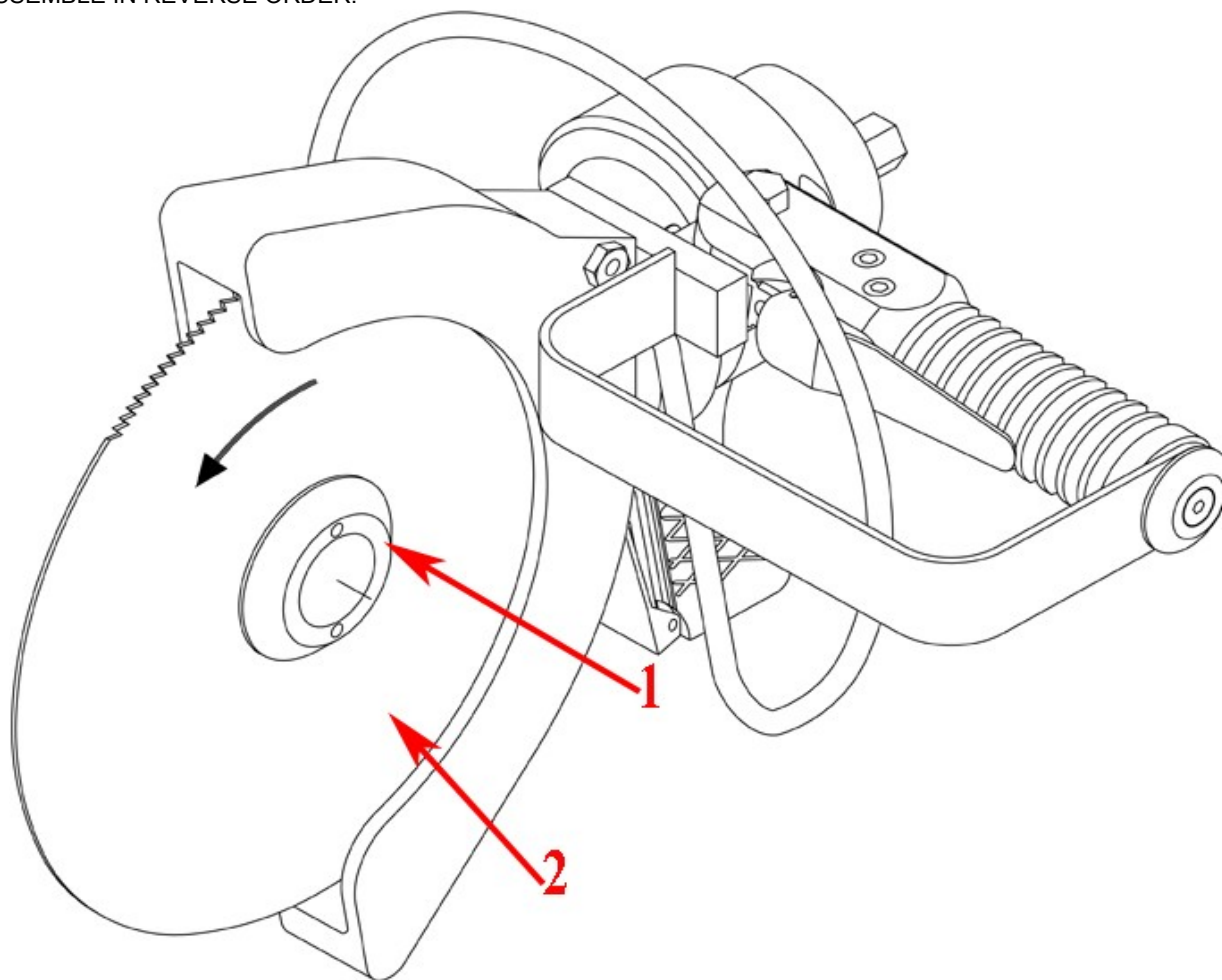


Figure 1 MODEL HKM-III – BLADE REPLACEMENT

PARTS BOOK

HKM-III

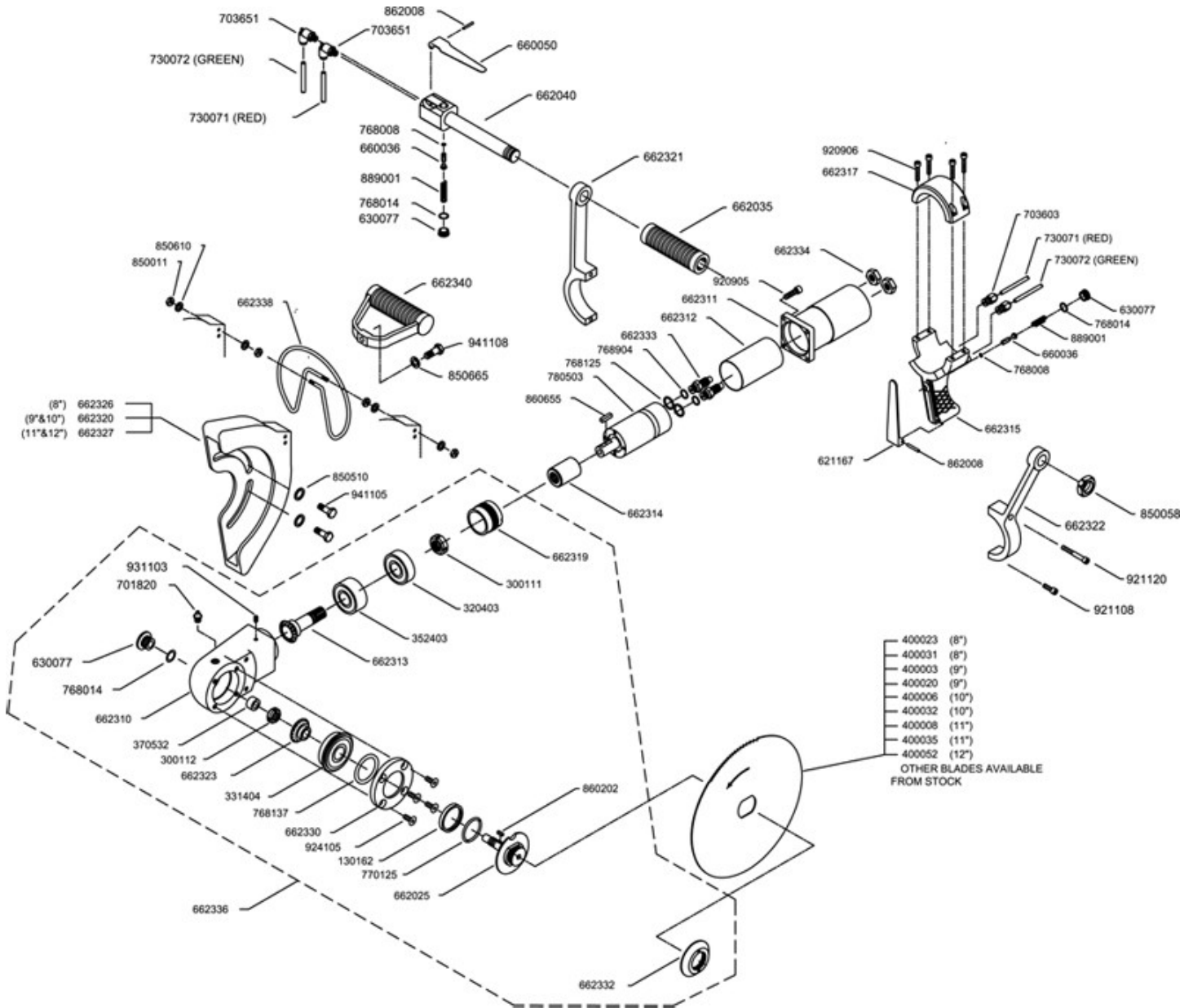


Figure 2 MODEL "HKM-III" – MAIN ASSEMBLY

PART NO.	DESCRIPTION	QTY	PART NO.	DESCRIPTION	QTY
130162	RING, TEFLON	1	662330	FLANGE	1
300111	LOCKNUT	1	662332	NUT, MANDREL	1
300112	LOCKNUT	1	662333	CONNECTOR, HYD. MOTOR	2
320403	BEARING, PINION REAR	1	662334	NUT, CONNECTOR	2
331404	BEARING, MANDREL	1	662336	ASS'Y, NOSE & GEARS COMPLETE	1
352403	BEARING PINION FRONT	1	662338	HANGER	1
370532	NEEDLE BEARING	1	662340	HANDLE, TOP	1
400003	BLADE, 9" DIA - STANDARD-240T	1	701820	LUBE FITTING	1
400006	BLADE, 10" DIA - STANDARD-220T	1	703603	MALE STUD FITTING	2
400008	BLADE, 11" DIA - STANDARD-240T	1	703651	MALE STUD ELBOW	2
400020	BLADE, 9" DIA - STANDARD-120T	1	730071	TUBE, RED, 5/32" DIA X 30"	2
400023	BLADE, 8" DIA - STANDARD-150T	1	730072	TUBE, GREEN, 5/32" DIA X 30"	2
400031	BLADE, 8" DIA - SKIP TOOTH-74T	1	768008	"O" - RING	2
400032	BLADE, 10" DIA - SKIP TOOTH-40T	1	768014	"O" - RING	3
400035	BLADE, 11" DIA - THIN RIM-90T	1	768125	"O" - RING	2
400052	BLADE, 12" DIA - STANDARD-240T	1	768137	"O" - RING	1
621167	LEVER, VERTICAL	1	768904	"O" - RING	2
630077	VALVE PLUG	3	770125	"O" - RING, TEFLON	1
660036	VALVE STEM	2	780503	HYDRAULIC MOTOR	1
660050	LEVER, HORIZONTAL	1	780508	SEAL KIT, HYDRAULIC MOTOR	1
662025	MANDREL	1	850011	NUT, HANGER	4
662035	SLEEVE, TOP HANDLE	1	850058	NUT, TOP HANDLE	1
662040	HOUSING, AIR VALVE W/ BUSHING	1	850510	WASHER, GUARD	2
662310	NOSE	1	850610	LOCK WASHER	4
662311	HOUSING	1	850665	LOCK WASHER	1
662312	SLEEVE	1	860202	SQUARE KEY	1
662313	BEVEL PINION	1	860655	SQUARE KEY	1
662314	COUPLING	1	862008	PIN, LEVER	2
662315	HANDLE W/ BUSHING	1	889001	SPRING	2
662317	HOLDER	1	920905	SCREW, HOUSING	4
662319	HOLDER BEARING	1	920906	SCREW, HANDLE	4
662320	GUARD, BLADE, (9" & 10")	1	921108	SCREW, TOP HANDLE	1
662321	HANDLE BAR, RIGHT	1	921120	SCREW, TOP HANDLE	1
662322	HANDLE BAR, LEFT	1	924105	SCREW, NOSE FLANGE	4
662323	BEVEL GEAR	1	931103	SET SCREW, NOSE	1
662326	GUARD, BLADE (8")	1	941105	SCREW, GUARD	2
662327	GUARD, BLADE, (11" & 12")	1	941108	SCREW, HANDLE	1

Figure 3 BOM FOR MODEL "HKM-III"

MOTOR DISASSEMBLY AND REASSEMBLY

1. REMOVE 4 SCREWS (#920905, FIG. 2) BETWEEN NOSE (#662310) AND MOTOR SHELL (#662311)
2. DISCONNECT 2 CONNECTORS (#662334).
3. REMOVE SCREWS (#921108 AND #921120) AND HANDLE BRACKET (#662322 AND #662321)
4. SLIDE OUT MOTOR (768125), REMOVE COUPLING (#662314) AND KEY (#860655) ON MOTOR SIDE
5. CLEAN AND LUBRICATE ALL PARTS PRIOR TO REASSEMBLY. REASSEMBLE PARTS IN REVERSE ORDER
6. **INSPECT O-RINGS (#768125) FOR ANY CUTS AO FLAT SPOTS. (THESE CAN CAUSE LEAKS) REPLACE PARTS AS NEEDED.**

SAW MANDREL DISASSEMBLY

1. REMOVE SAW BLADE. (SEE FIGURE 1 – BLADE REPLACEMENT)
2. REMOVE BLADE GUARD
3. REMOVE FOUR SCREWS (ITEM 924105, FIG. 2)
4. REMOVE PLUG (ITEM 630077, FIG. 2). WITH ACENTER PUNCH INSERTED THRU HOLE PLUGGED WITH PLUG, PRESS OUT MANDREL (ITEM 662025, FIG. 2) AND ALL OTHER INTERNAL PARTS.
5. LOOSEN SCREW (ITEM 931103, FIG. 2)
6. REMOVE RETAINER (ITEM 662319, FIG. 2)
7. THRU BORE THAT HOUSES MANDREL, PUSH PINION (ITEM 662313, FIG. 7) OUT BACK.

SAW MANDREL REASSEMBLY

1. CLEAN AND LUBRICATE ALL PARTS PRIOR TO ASSEMBLY
2. SHARPEN OR REPLACBLADE AS NEEDED
3. REASSEMBLE PARTS IN REVERSE ORDER
4. **FILL WITH GREASE (KENTMASTER GREASE – 7903070) AT FITTING (ITEM 7018220, FIG. 2) BEFORE USING TOOL**

POWER UNIT:

- Use with Kentmaster Power Unit HPP-2-B (#6516010) with bleeding line on return

TUBING DIAGRAM

HKM- TUBING DIAGRAM WITHOUT ANTI-TIE DOWN OPTION

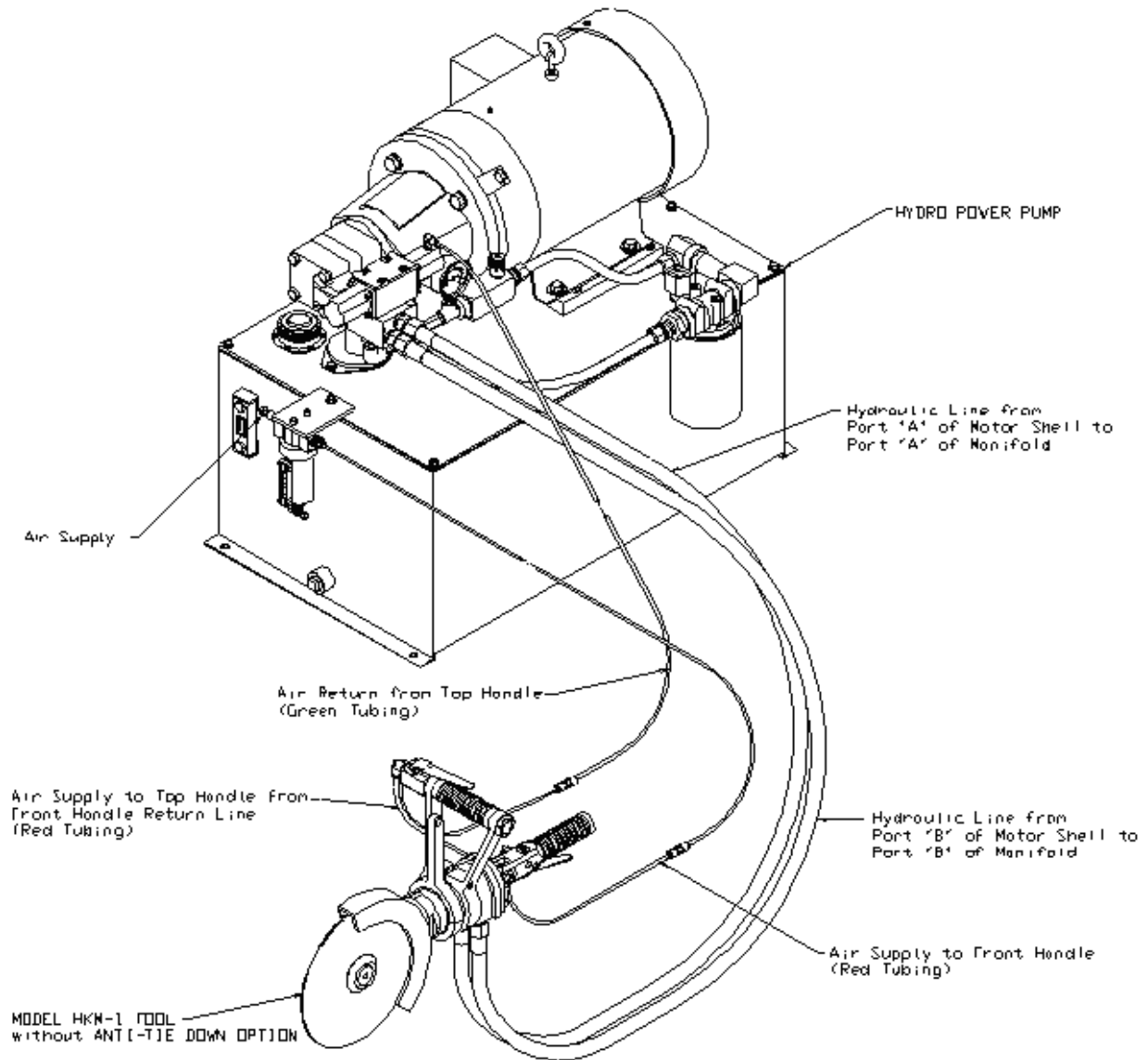


Figure 4 HKM- TUBING DIAGRAM WITHOUT ANTI-TIE DOWN

HKM- TUBING DIAGRAM WITH ANTI-TIE DOWN OPTION

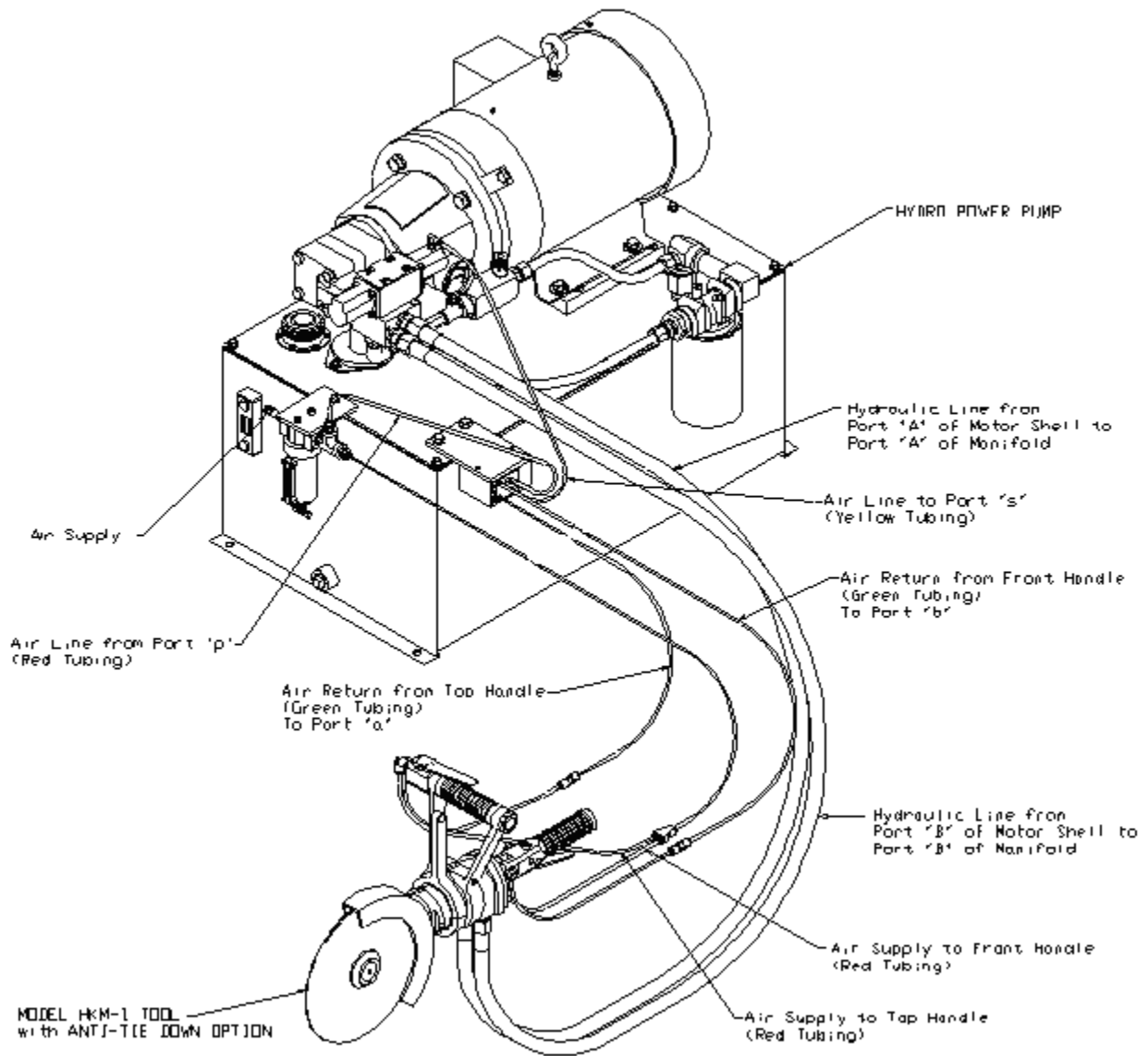
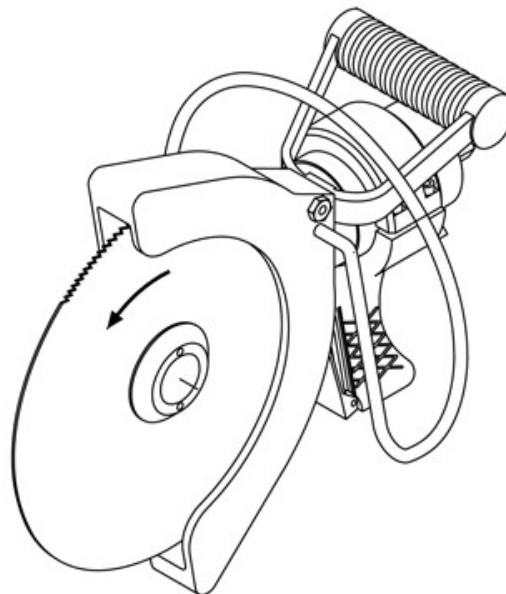
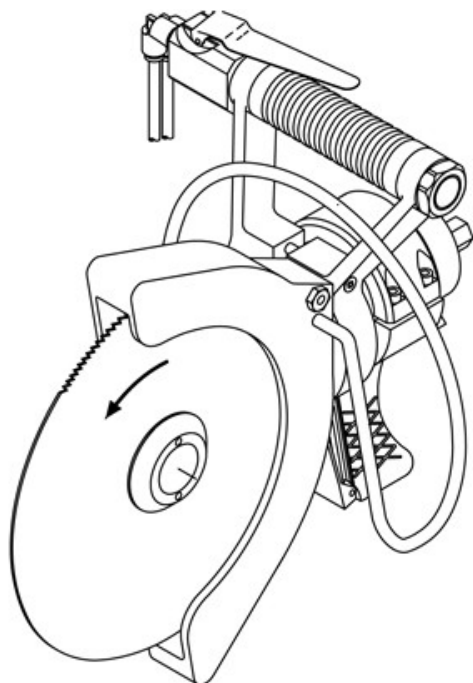


Figure 5 HKM- TUBING DIAGRAM WITH ANTI-TIE DOWN

[ENGLISH]

GENERAL INFORMATION



TWO TRIGGERS CONFIGURATION SINGLE TRIGGER CONFIGURATION

MODEL "HKM-III" HYDRAULIC BREAKING SAW

SERVICE CENTERS

KENTMASTER LTD. (U.K)
16 AVONBANK INDUSTRIAL CENTRE
WEST TOWN ROAD
AVONMOUTH - BRISTOL BS11 9DE
UNITED KINGDOM

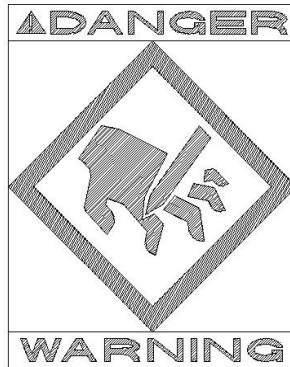
☎ **TELEPHONE: ++ 44- (0) 117- 9235035**
FAX: ++ 44- (0) 117- 9829010

KENTMASTER MFG. CO., INC.
1801 SOUTH MOUNTAIN AVE.
MONROVIA, CALIFORNIA 91016
UNITED STATES OF AMERICA

☎ **TELEPHONE: (626) 359-8888**
FAX: (626) 303-5151

NOTICE TO EMPLOYER AND PURCHASER OF TOOL
NOTICE TO SAFETY DIRECTOR

You have purchased a powerful tool that, if misused, can cause severe injury and harm to your employees. You must instruct your employees in the safe and proper use of this tool and to follow the safety procedures and instructions that have been supplied by the manufacturer of this tool. Please follow the following instructions.



1. Instruct tool operators to test the tool each day before using it to be sure it does not malfunction. Remove and repair any tool that malfunctions.
2. Instruct tool operators to immediately stop using a tool that malfunctions or is defective.
3. Instruct personnel to immediately remove all tools that malfunction. Be sure to disconnect tool from power supply.
4. Instruct all personnel to stay clear of tool, and not to stand or walk in front of, or next to tool when in use.
5. Point out to all personnel the dangers related to the misuse of tool and the importance of following safety procedures and instructions.
6. Do not make, or allow others to make, alterations or modifications to this tool. Replace all lost or illegible labels.
7. Follow all safety, installation and maintenance instructions provided with this tool. Establish proper safety procedures in accordance with local and national requirements to prevent accidental energizing of tool that can cause injuries.
8. If this tool is sold or change in ownership takes place, you must provide the new owner all safety instructions, notices and maintenance instructions you were originally provided. You can obtain additional copies of the instructions from Kentmaster, free of charge upon request.
9. Give copies of instructions to:
 - (A) Tool Operators**
 - (B) Maintenance Supervisor**
 - (C) Clean-up Supervisor**

GENERAL INFORMATION

COVERING: SAFETY PRECAUTIONS AND PLACING INTO SERVICE HYDRAULICLY POWERED BREAKING SAW

READ THIS MANUAL CAREFULLY BEFORE INSTALLING, OPERATING OR SERVICING THIS TOOL

IT IS THE RESPONSIBILITY OF THE EMPLOYER TO PLACE THIS INFORMATION INTO THE HANDS OF THE OPERATOR.

PLACING INTO SERVICE

⚠ WARNING = Hazards or unsafe practices which could result in severe personal injury, death or substantial property damage.

⚠ CAUTION = Hazards or unsafe practices which could result in minor personal injury, product or property damage.

⚠ NOTICE = Important installation, operation or maintenance information.

⚠ WARNING Installation, adjustment repair and maintenance of this tool must be made by trained and qualified personnel.

⚠ WARNING Always disconnect power supply from tool before:

- (A) Installing or removing blade from tool.
- (B) Making repairs or adjustments to the tool.
- (C) performing maintenance or cleanup work.

Kentmaster Worldwide Location

Kentmaster Equipment (Aust) PTY.LTD.

Unit 2,24 Central Court
Browns Plains Qld. 4118
Australia

Telephone: (07) 3806-8400
Fax: (07) 3806-7933
Australia@Kentmaster.com

Kentmaster do Brasil, Ltda.
Av. Dr. Joao Teodoro No. 805
Bairro De Vila Rezende
13405-240 Piracicaba, SP,
Brazil

Telephone #1: (019) 3 413 3113
Telephone #2: (019)983-4973
Fax: (019) 3 413 3113
Brazil@Kentmaster.com

Kentmaster (IRL) LTD.
Benamore, Dublin Road.
Roscrea,
CO, Tipperary,
Ireland

Telephone: (353) 0505-23292
Fax: (353) 0505-23299
Ireland@Kentmaster.com

Kentmaster Equipment (NZ) LTD.
5 Cooper Street
Havelock North
New Zealand

Telephone #1: (64) 6 8777 857
Telephone #2: 0800 KENTMASTER
Fax: (64) 6 8777 858
NewZealand@Kentmaster.com

Kentmaster South Africa (PTY) LTD.

Johannesburg - S. Africa
Unit 54 Sunnyrock Park
Sunrock Close, Germiston
South Africa

Telephone: (27) 11-455-3748
Fax: (27) 11-455-3749
SouthAfrica@Kentmaster.com

Kentmaster (UK) LTD.
Unit 301 Hartlebury Trading Estate
Hartlebury
Worcestershire DY10 4JB
England

Telephone: (44) 129-925-3394
Fax: (44)-129-925-1271
UK@Kentmaster.com

Kentmaster Mfg. Co., Inc.
1801 South Mountain Ave.
Monrovia, CA, 91016
USA

Telephone #1: (626) 359-8888
Telephone #2: (800) 421-1477
Fax: (626) 303-5151
info@Kentmaster.com

Kentmaster Omaha
4417 South 139th Street
Omaha, NE, 68137
USA

Telephone #1: (402) 896-3355
Telephone #2: (800) 367-3181
Fax: (402) 896-3311
Omaha@Kentmaster.com

Kentmaster Argentina S.A.
Luis Maria Drago 190
(1607) Villa Adelina
Buenos Aires - Argentina

Tel: +(54) 11 4763 0473
Argentina@kentmaster.com

INDEX

<u>OPERATING AND SAFETY INSTRUCTIONS.....</u>	<u>2</u>
<u>OPERATING INSTRUCTIONS.....</u>	<u>3</u>
<u>MAINTENANCE.....</u>	<u>3</u>
<u>SERVICE.....</u>	<u>3</u>
<u>PARTS BOOK.....</u>	<u>5</u>
<u>HKM-III.....</u>	<u>5</u>
MOTOR DISASSEMBLY AND REASSEMBLY.....	7
SAW MANDREL DISASSEMBLY.....	7
SAW MANDREL REASSEMBLY.....	7
POWER UNIT:.....	7
<u>TUBING DIAGRAM.....</u>	<u>8</u>
HKM- TUBING DIAGRAM WITHOUT ANTI-TIE DOWN OPTION.....	8
HKM- TUBING DIAGRAM WITH ANTI-TIE DOWN OPTION.....	9
<u>NOTICE TO EMPLOYER AND PURCHASER OF TOOL.....</u>	<u>11</u>
<u>GENERAL INFORMATION.....</u>	<u>12</u>
<u>Kentmaster Worldwide Location.....</u>	<u>13</u>
<u>INDEX.....</u>	<u>14</u>
<u>FIGURES - INDEX.....</u>	<u>14</u>

FIGURES - INDEX

<i>Figure 1 MODEL HKM-III – BLADE REPLACEMENT.....</i>	<i>4</i>
<i>Figure 2 MODEL “HKM-III” – MAIN ASSEMBLY.....</i>	<i>5</i>
<i>Figure 3 BOM FOR MODEL “HKM-III”.....</i>	<i>6</i>
<i>Figure 4 HKM- TUBING DIAGRAM WITHOUT ANTI-TIE DOWN.....</i>	<i>8</i>
<i>Figure 5 HKM- TUBING DIAGRAM WITH ANTI-TIE DOWN.....</i>	<i>9</i>