

OPERATOR'S MANUAL

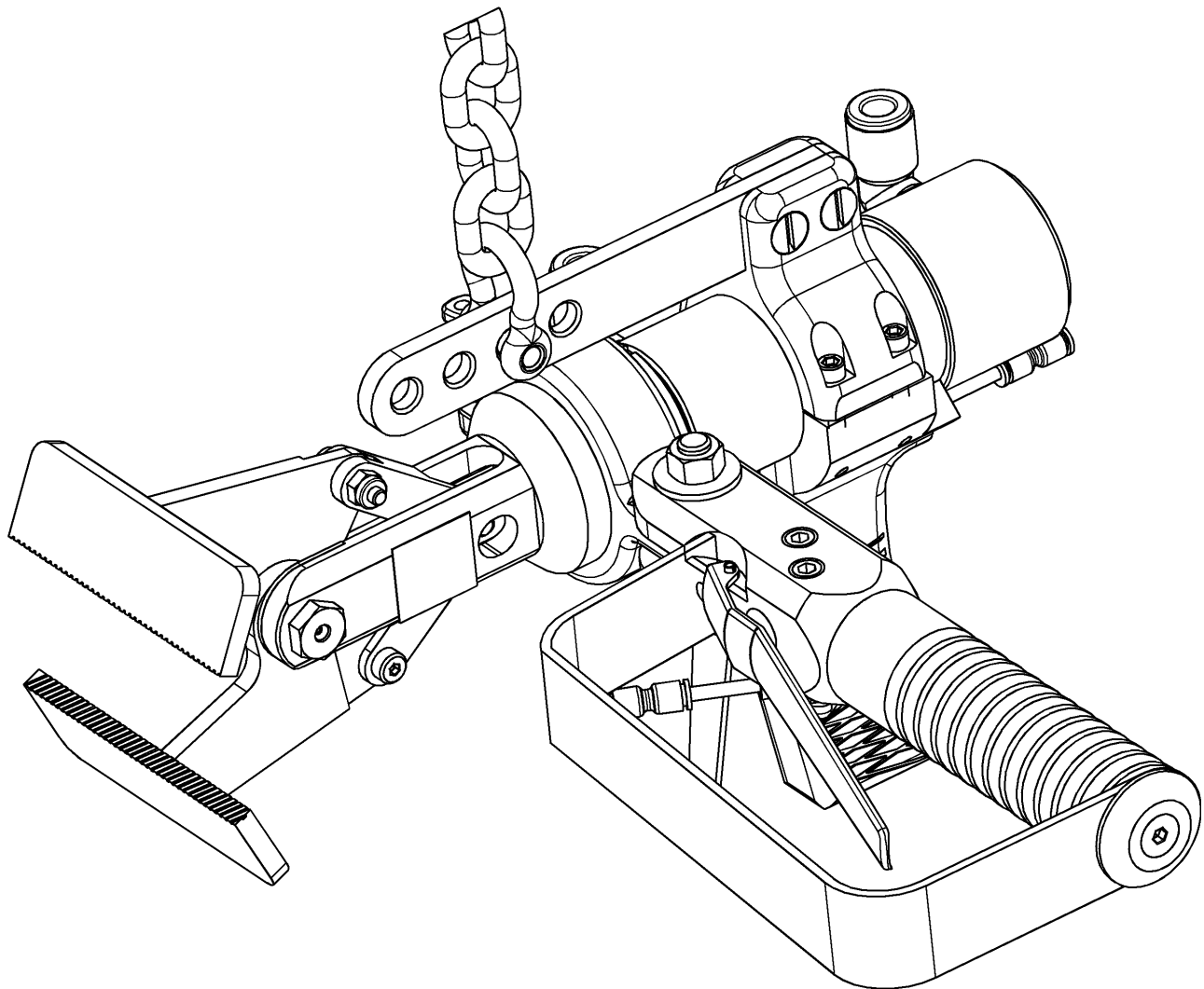
INCLUDING: OPERATION, INSTRUCTION, INSTALLATION, MAINTENANCE AND PARTSBOOK




IMPORTANT: READ THIS MANUAL CAREFULLY BEFORE INSTALLING, OPERATING OR SERVICING THIS TOOL.

LEAFLARD PULLER

TOOL DATA

MODEL: M-8
ASSEMBLY NO. 6609500
TYPE: AIR OPERATED
NET WEIGHT: 15 LBS (6.8 KG)
INLET AIR PRESSURE: 90 P.S.I. (6-7 BARS)



 WARNING	= Hazards or unsafe practices which could result in severe personal injury, death or substantial property damage.
 CAUTION	= Hazards or unsafe practices which could result in minor personal injury, product or property damage.
 NOTICE	= Important installation, operation or maintenance information.

OPERATING AND SAFETY INSTRUCTIONS

-  **WARNING** DO NOT OPERATE THIS TOOL UNTIL YOU HAVE READ AND UNDERSTOOD THE SAFETY INSTRUCTIONS AND OPERATING MANUALS.
-  **WARNING** DO NOT OPERATE THIS TOOL UNTIL YOU HAVE RECEIVED TRAINING IN THE HANDLING, OPERATION AND USE OF THIS TOOL.
-  **WARNING** STOP USING A MALFUNCTIONING OR DEFECTIVE TOOL IMMEDIATELY. REPORT ANY PROBLEMS OR DEFECTS TO YOUR SUPERVISOR FOR REMOVAL OF THE TOOL FROM SERVICE.
-  **WARNING** DO NOT ATTEMPT TO REPAIR THE TOOL YOURSELF.
-  **WARNING** DO NOT ALLOW UNAUTHORIZED PERSONS TO USE TOOL.
-  **WARNING** REMOVE AND DISCONNECT POWER FROM THE TOOL WHEN TOOL IS LEFT UNATTENDED OR IS NOT IN USE.
-  **WARNING** NEVER TIE DOWN, BYPASS, ALTER OR MODIFY THE ACTIVATING SWITCHES OR TRIGGERS OF THIS TOOL.
-  **WARNING** NEVER MAKE ALTERATIONS OR MODIFICATIONS TO THIS TOOL.
-  **WARNING** BE CONSTANTLY AWARE AND ALERT FOR UNSAFE CONDITIONS AND REPORT THEM IMMEDIATELY TO YOUR SUPERVISOR.
-  **WARNING** NEVER PLACE YOUR HAND OR ANY PART OF YOUR BODY IN THE CUTTING PATH OF THE TOOL.
-  **WARNING** NEVER ALLOW ANYONE ELSE TO PLACE THEIR HANDS OR ANY PART OF THEIR BODY IN THE CUTTING PATH OF THE TOOL.
-  **WARNING** DO NOT ACTIVATE CONTROL SWITCHES OR TRIGGERS OF THIS TOOL UNLESS YOU INTEND TO TEST OR OPERATE THIS TOOL.
-  **WARNING** DO NOT USE THIS TOOL FOR ANY PURPOSE OTHER THAN IT'S INTENDED PURPOSE.
-  **CAUTION** WHEN OPERATING THIS TOOL WEAR THE PROTECTIVE GEAR AND SAFETY EQUIPMENT SUPPLIED TO YOU.
-  **WARNING** THE NOISE EMISSION (SOUND PRESSURE LEVEL) AT THE WORKSTATION MAY EXCEED 80 dB (A). EAR AND SOUND PROTECTION GEAR IS REQUIRED.

OPERATING INSTRUCTIONS

⚠ WARNING ONLY TRAINED PERSONNEL ARE TO OPERATE THIS TOOL.

1. TO ENSURE TOOL IS OPERATING PROPERLY, PERFORM FOLLOWING STEPS AT START OF EACH SHIFT:
 - MAKE SURE TOOL MOVES UP AND DOWN FREELY WHILE HANGING FROM BALANCER OVERHEAD.
 - WITH POWER TO TOOL TURNED ON, TEST TRIGGER FOR PROPER OPERATION.
 - DEPRESS EACH TRIGGER SEPARATELY. TOOL SHOULD NOT ACTIVATE. DEPRESS BOTH TRIGGERS. TOOL SHOULD ACTIVATE.
 - IF TOOL HAS "ANTI-TIE DOWN" OPTION, BOTH TRIGGERS MUST BE DEPRESSED SIMULTANEOUSLY FOR TOOL TO ACTIVATE.
2. TO PERFORM WORK, HOLD TOOL FIRMLY AT BOTH HANDLES. SQUEEZE TRIGGERS TO ACTIVATE TOOL.
3. POSITION TOOL AND PERFORM CUTTING OPERATION.

MAINTENANCE

⚠ WARNING ONLY TRAINED AND QUALIFIED PERSONNEL ARE TO PERFORM MAINTENANCE AND SERVICE TO THIS TOOL.

1. MAKE ALL NECESSARY LINE CONNECTIONS TO THE TOOL.
2. AN AIR FILTER-REGULATOR-LUBRICATOR (PART NO. 7200030) MUST BE INSTALLED IN AIR SUPPLY FOR EACH TOOL.
3. FILL LUBRICATOR WITH KENTMASTER AIR MIST OIL (PART NO. 7903050). SET DRIP RATE ACCORDING TO INSTRUCTIONS SUPPLIED. TURN ADJUSTMENT ON SIGHT FEED DOME TO INCREASE/DECREASE OIL DELIVERY. MONITOR THE DEVICE BEING LUBRICATED AND READJUST IF NEEDED.
4. TOOL REQUIRES 90 P.S.I. AIR PRESSURE.
5. TOOL REQUIRES GREASING AFTER EVERY SHIFT. GREASE USING KENTMASTER GREASE (PART NO. 7903070).

BLADE REMOVAL AND CLEANING.

⚠ WARNING ALWAYS DISCONNECT POWER SUPPLY FROM TOOL BEFORE INSTALLING OR REMOVING BLADE FROM TOOL.

⚠ WARNING ALWAYS WEAR WIRE MESH GLOVES WHEN INSTALLING OR REMOVING BLADE FROM TOOL.

TO REMOVE OR CHANGE BLADES (PROCEDURE NOT NECESSARY TO CLEAN BLADES):

1. REMOVE (2) NUTS AND (2) BOLTS (ITEMS NO. 23 AND 26)
2. REMOVE PIN AND NUT (ITEM NO. 6 AND 24, FIG. NO. 1).
3. SLIDE OUT BLADES AND SLEEVE (ITEMS 10 AND 1).
4. CLEAN ALL PARTS REMOVED WITH SOAP AND WATER.
5. SHARPEN OR REPLACE BLADES WHEN NECESSARY.
6. REASSEMBLE IN REVERSE ORDER.

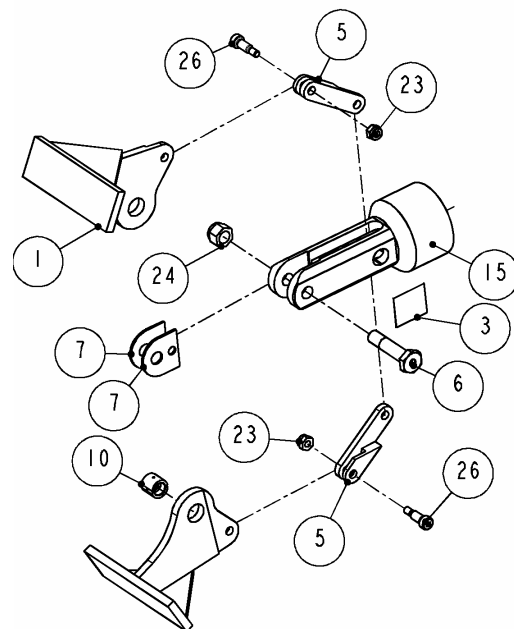
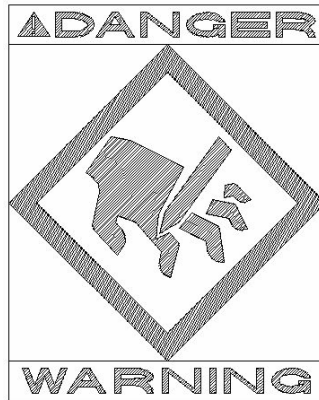


Figure 1 MODEL M-8 – BLADE REPLACEMENT

SERVICE

1. KEEP GOOD RECORDS OF ALL SERVICE ACTIVITY AND INCLUDE TOOL IN PREVENTIVE MAINTENANCE PROGRAM.
2. USE ONLY GENUINE KENTMASTER REPLACEMENT PARTS TO ASSURE PROPER PERFORMANCE OF TOOL.
3. CONTACT THE KENTMASTER SUPPLIER NEAREST YOU FOR PARTS AND CUSTOMER SERVICE INFORMATION.

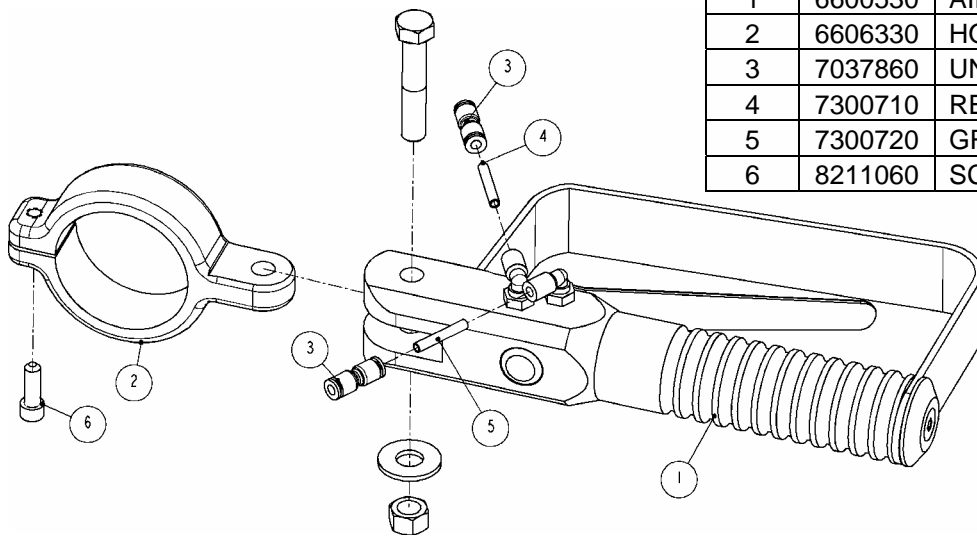


6609500: M-8 - LEAFLARD PULLER			
ITEM	PART #	DESCRIPTION	QTY
1	6609840	BLADE - LEAFLARD PULLER	2
2	4501830	TOOL, PACKING NUT - OPTIONAL	1
3	6609510	LIFT CYLINDER - VALVE ASS'Y - OPTIONAL	1
4	4505020	LABEL, DANGER/WARNING	1
5	6515300	NAME PLATE	1
6	6600220	LINK, CONNECTING	2
7	6600320	PIN, BLADES	1
8	6600390	SLEEVE	1
9	6600520	WEAR PLATE	2
10	6606190	FRONT HANDLE - COMPLETE	1
11	6606240	LOCK NUT	1
12	6606360	REAR HANDLE ASSEMBLY	1
13	6606390	HANGER	1
14	6606400	BRACKET - HANGER	1
15	6606480	CYLINDER ASSEMBLY	1
16	6609610	YOKE	1
17	6609620	CLEVIS	1
18	7036560	ELBOW	2
19	8011080	SCREW	2
20	8209060	SCREW	4
21	8336010	SET SCREW	1
22	8504090	NUT	2
23	8504160	NUT	1
24	8620460	PIN	1
25	8870030	SCREW	2

Figure 3 BOM FOR MODEL "M-8"

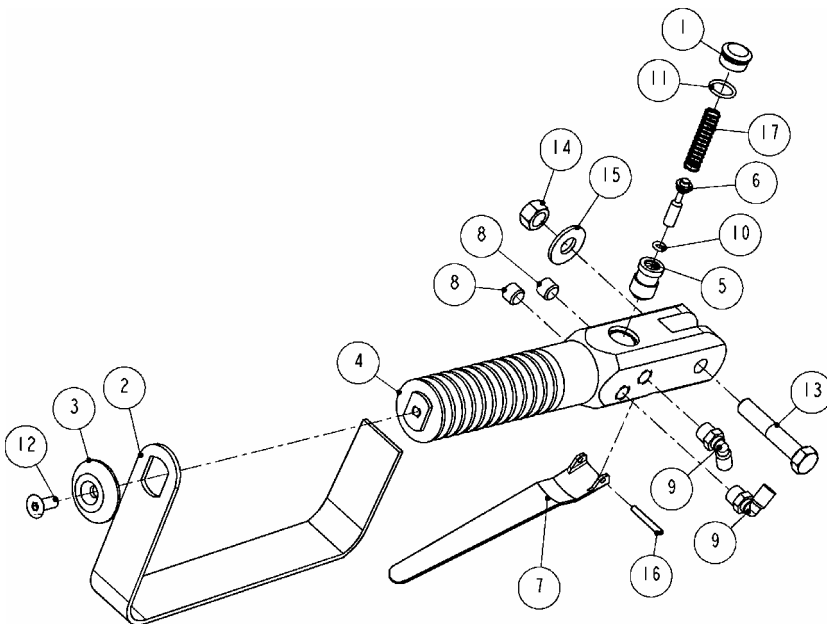
HANDLES

FRONT HANDLE



6606190: FRONT HANDLE - COMPLETE			
ITEM	PART #	DESCRIPTION	QTY
1	6600530	AIR HANDLE	1
2	6606330	HOLDER, STRAIGHT HANDLE	1
3	7037860	UNION	2
4	7300710	RED AIR TUBE	1
5	7300720	GREEN AIR TUBE	1
6	8211060	SCREW	1

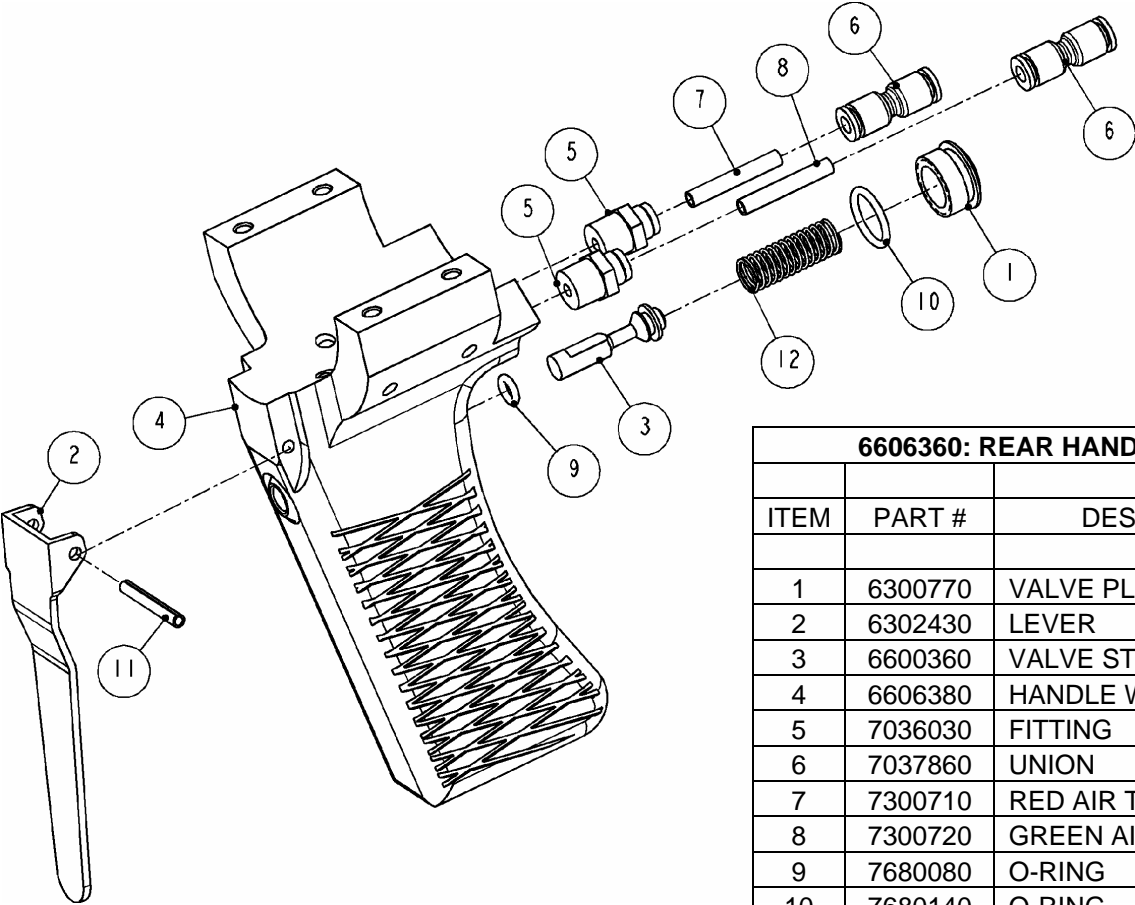
Figure 4 6606190: FRONT HANDLE – COMPLETE



6600530: AIR HANDLE			
ITEM	PART #	DESCRIPTION	QTY
1	6300770	VALVE PLUG	1
2	6541690	GUARD	1
3	6541720	RETAINER	1
4	6600340	HANDLE	1
5	6600350	BUSHING	1
6	6600360	VALVE STEM	1
7	6600500	LEVER	1
8	7000010	PLUG	2
9	7036510	ELBOW	2
10	7680080	O-RING	1
11	7680140	O-RING	1
12	8241050	SCREW	1
13	8415160	SCREW	1
14	8500150	NUT	1
15	8505160	WASHER	1
16	8653140	PIN	1
17	8890010	SPRING	1

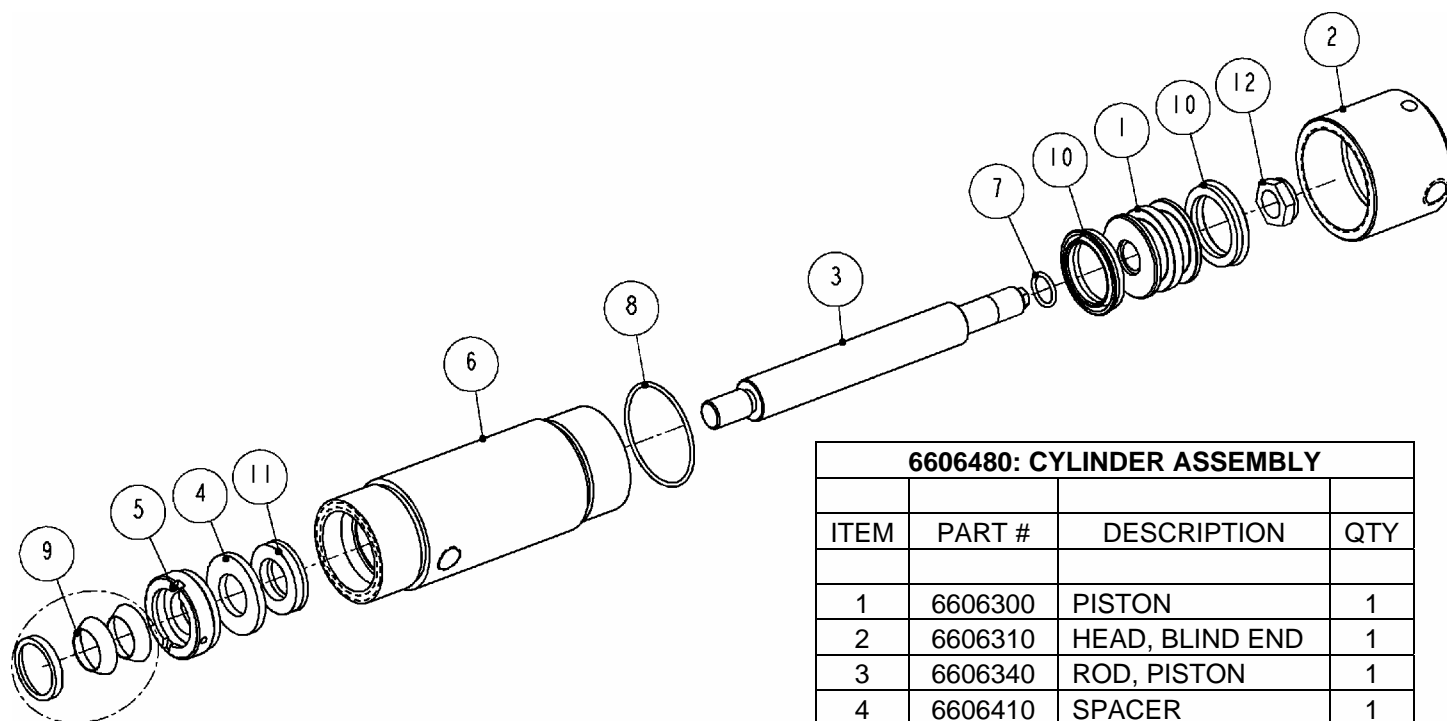
Figure 5 6600530: AIR HANDLE

REAR HANDLE



6606360: REAR HANDLE ASSEMBLY			
ITEM	PART #	DESCRIPTION	QTY
1	6300770	VALVE PLUG	1
2	6302430	LEVER	1
3	6600360	VALVE STEM	1
4	6606380	HANDLE WITH BUSHING	1
5	7036030	FITTING	2
6	7037860	UNION	2
7	7300710	RED AIR TUBE	1
8	7300720	GREEN AIR TUBE	1
9	7680080	O-RING	1
10	7680140	O-RING	1
11	8653140	PIN	1
12	8890010	SPRING	1

Figure 6 6606360: REAR HANDLE - COMPLETE

CYLINDER ASSEMBLY

6606480: CYLINDER ASSEMBLY			
ITEM	PART #	DESCRIPTION	QTY
1	6606300	PISTON	1
2	6606310	HEAD, BLIND END	1
3	6606340	ROD, PISTON	1
4	6606410	SPACER	1
5	6606420	NUT	1
6	6606430	CYLINDER	1
7	7680140	O-RING	1
8	7680310	O-RING	1
9	7710260	SEAL-GUARD SET	1
10	7710510	SEAL	2
11	7711110	SEAL	1
12	8504720	NUT	1

CYLINDER DISASSEMBLY

1. LOOSEN SET SCREW, ITEM 22 - FIGURE 2. SCREW CLEVIS, ITEM 7 – FIGURE 2, OFF OF ROD, ITEM 3 – FIG. 7.
2. SCREW CYLINDER, ITEM 6 – FIG. 7, OUT OF HEAD, ITEM 2.
3. PULL OUT ROD AND PISTON ASSEMBLY.
4. FROM FRONT END OF CYLINDER, ITEM 6, PULL GUARD, ITEM 9 (3 PIECES) OUT.
5. USING MAINTENANCE TOOL (OPTIONAL), ITEM 2 – FIG 2, SCREW NUT OUT OF CYLINDER, ITEMS 5 AND 6.
6. PULL OUT SPACER AND SEAL, ITEMS 4 AND 11.

CYLINDER REASSEMBLY

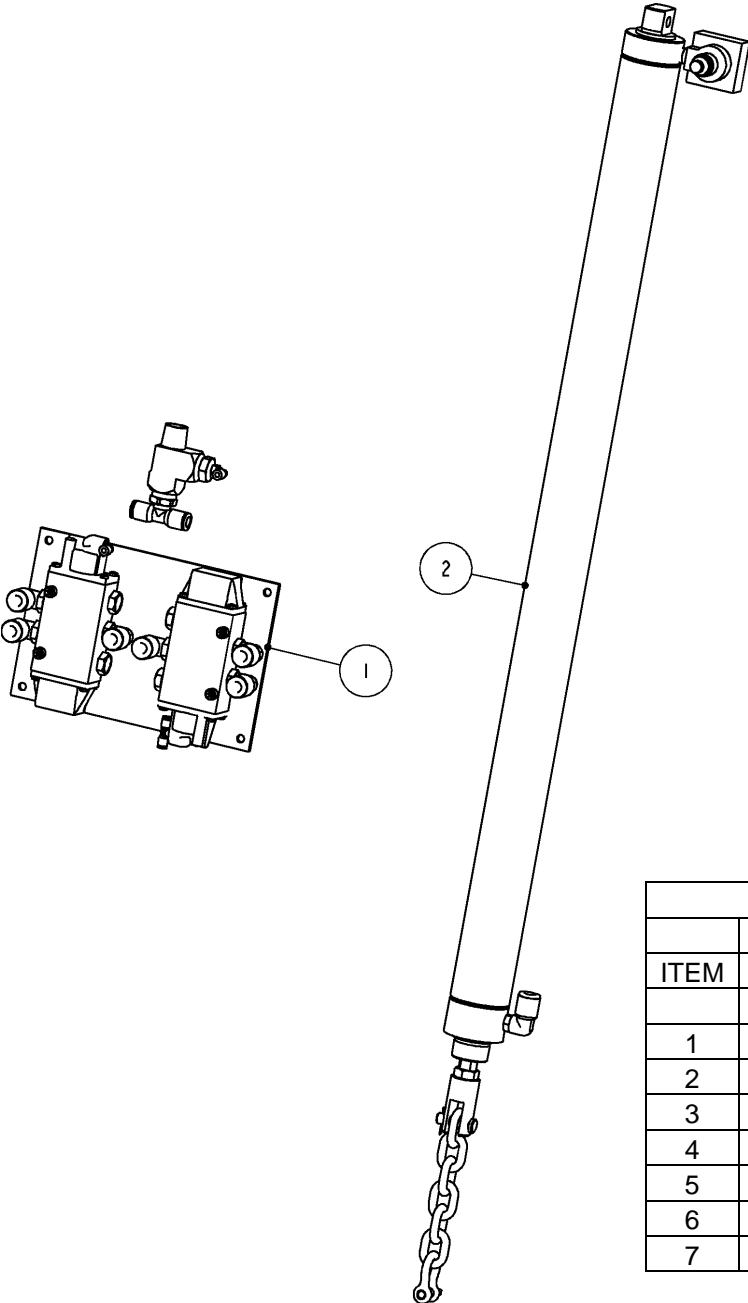
1. CLEAN AND LUBRICATE ALL PARTS PRIOR TO REASSEMBLY.
2. REASSEMBLY PARTS IN REVERSE ORDER.



ALWAYS DISCONNECT POWER SUPPLY FROM TOOL BEFORE INSTALLING OR REMOVING BLADE FROM TOOL.

Figure 7 6606480: CYLINDER ASSEMBLY

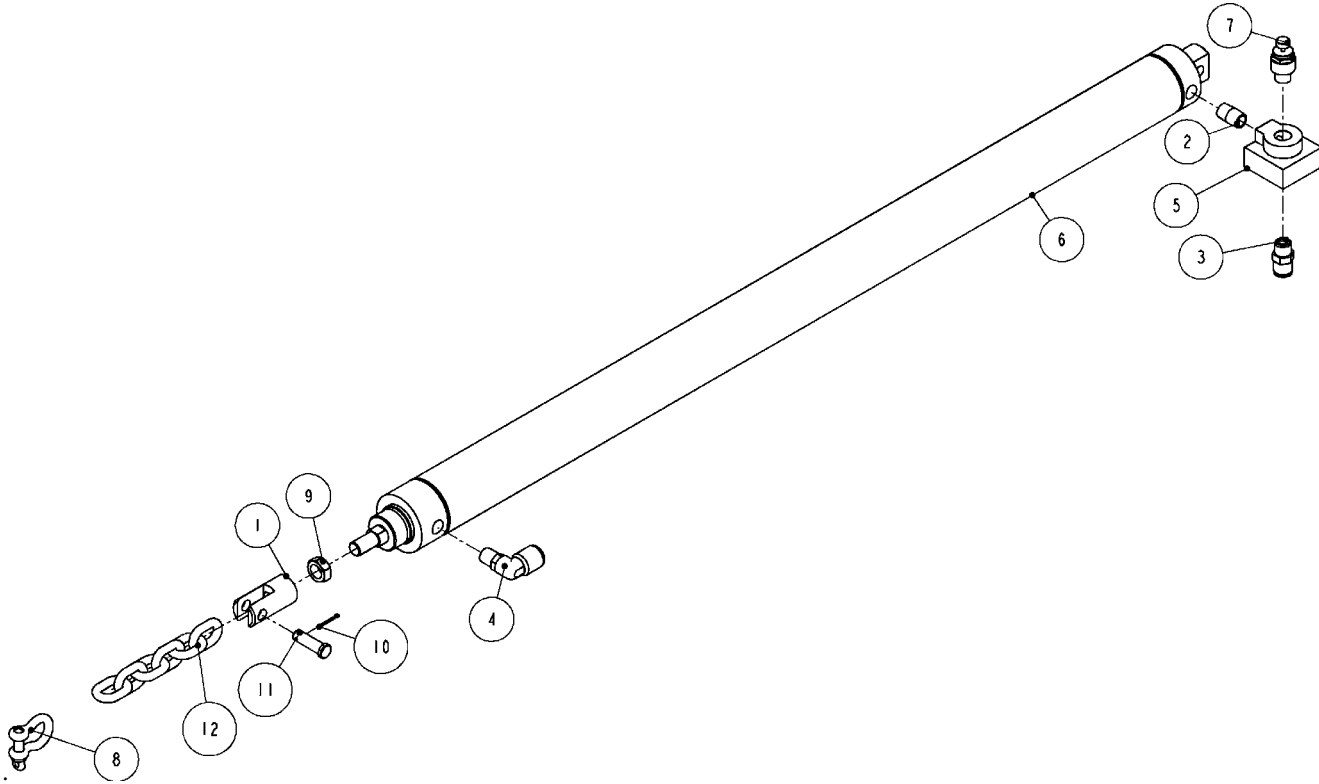
LIFT CYLINDER – CONTROL VALVE ASSEMBLY



6609510: LIFT CYLINDER - VALVE ASS'Y			
ITEM	PART #	DESCRIPTION	QTY
1	6609550	CONTROL VALVE ASSEMBLY	1
2	6609560	CYLINDER ASSEMBLY	1
3	7300758	AIR TUBING, CLEAR	2
4	7300759	AIR TUBING, CLEAR	4
5	7300780	AIR TUBING - RED, 20FT	1
6	7300790	AIR TUBING - GREEN, 20FT	1
7	7300990	AIR TUBING, GREEN	1

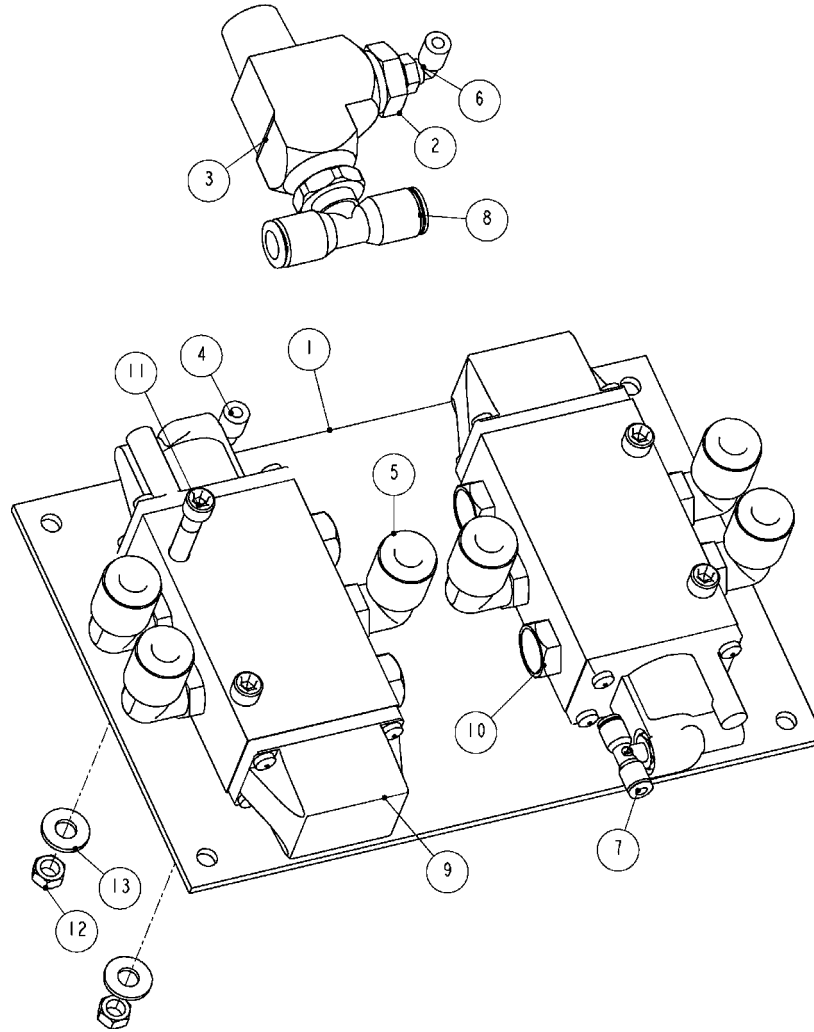
SEE AIR LINES DIAGRAM FOR TUBING PLACMENT.

Figure 8 6609510: LIFT CYLINDER – CONTROL VALVE



6609560: LIFT CYLINDER ASSEMBLY			
ITEM	PART #	DESCRIPTION	QTY
1	6609580	SNOUT PULLER CLEVIS	1
2	7003460	CLOSE NIPPLE	1
3	7036140	FITTING	1
4	7036560	ELBOW	1
5	7400190	QUICK EXHAUST VALVE	1
6	7400258	AIR CYLINDER	1
7	7400262	ADJUSTABLE EXHAUST MUFFLER	1
8	8462020	ANCHOR SHACKLE	1
9	8500280	NUT	1
10	8630150	COTTER PIN	1
11	8897030	CLEVIS PIN	1
12	8897040	CHAIN	1

Figure 9 6609560: LIFT CYLINDER

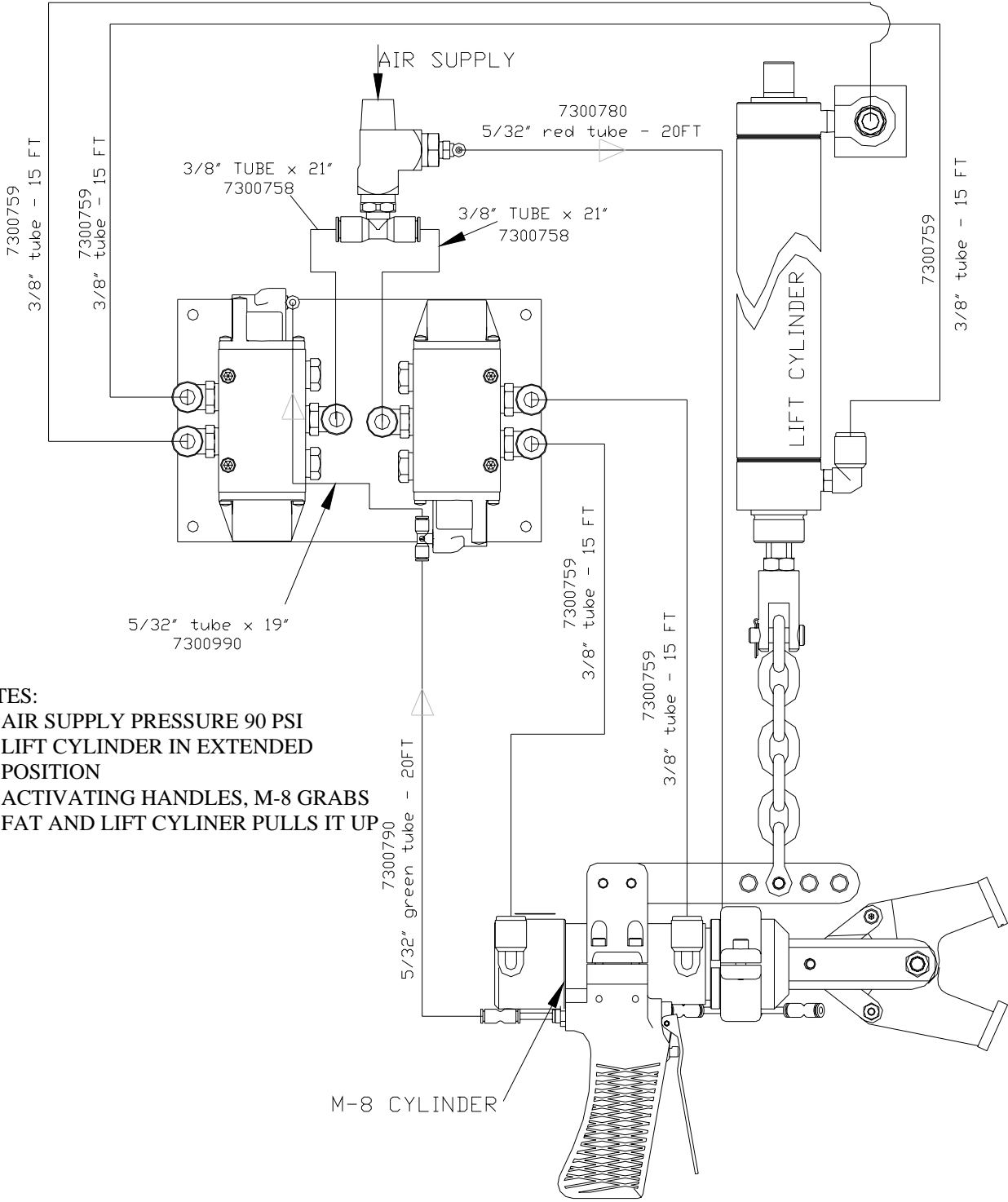


6609550: CONTROL VALVE ASSEMBLY			
ITEM	PART #	DESCRIPTION	QTY
1	6609570	VALVE MOUNTING PLATE	1
2	7003680	BUSHING	1
3	7004330	TEE, STREET	1
4	7036350	ELBOW	1
5	7036450	ELBOW	6
6	7036510	ELBOW	1
7	7036750	TEE	1
8	7036900	TEE	1
9	7400309	CONTROL VALVE	2
10	7802030	BREATHER VENT FILTER	4
11	8211140	SCREW	4
12	8501410	NUT	4
13	8505100	WASHER	4

Figure 10 6609550: CONTROL VALVE

M-8 AIR TUBING DIAGRAM

CYLINDERS – VALVE LINES



NOTES:

- AIR SUPPLY PRESSURE 90 PSI
- LIFT CYLINDER IN EXTENDED POSITION
- ACTIVATING HANDLES, M-8 GRABS FAT AND LIFT CYLINDER PULLS IT UP

Figure 11 M-8 AIR TUBING DIAGRAM

AIR HANDELS LINES

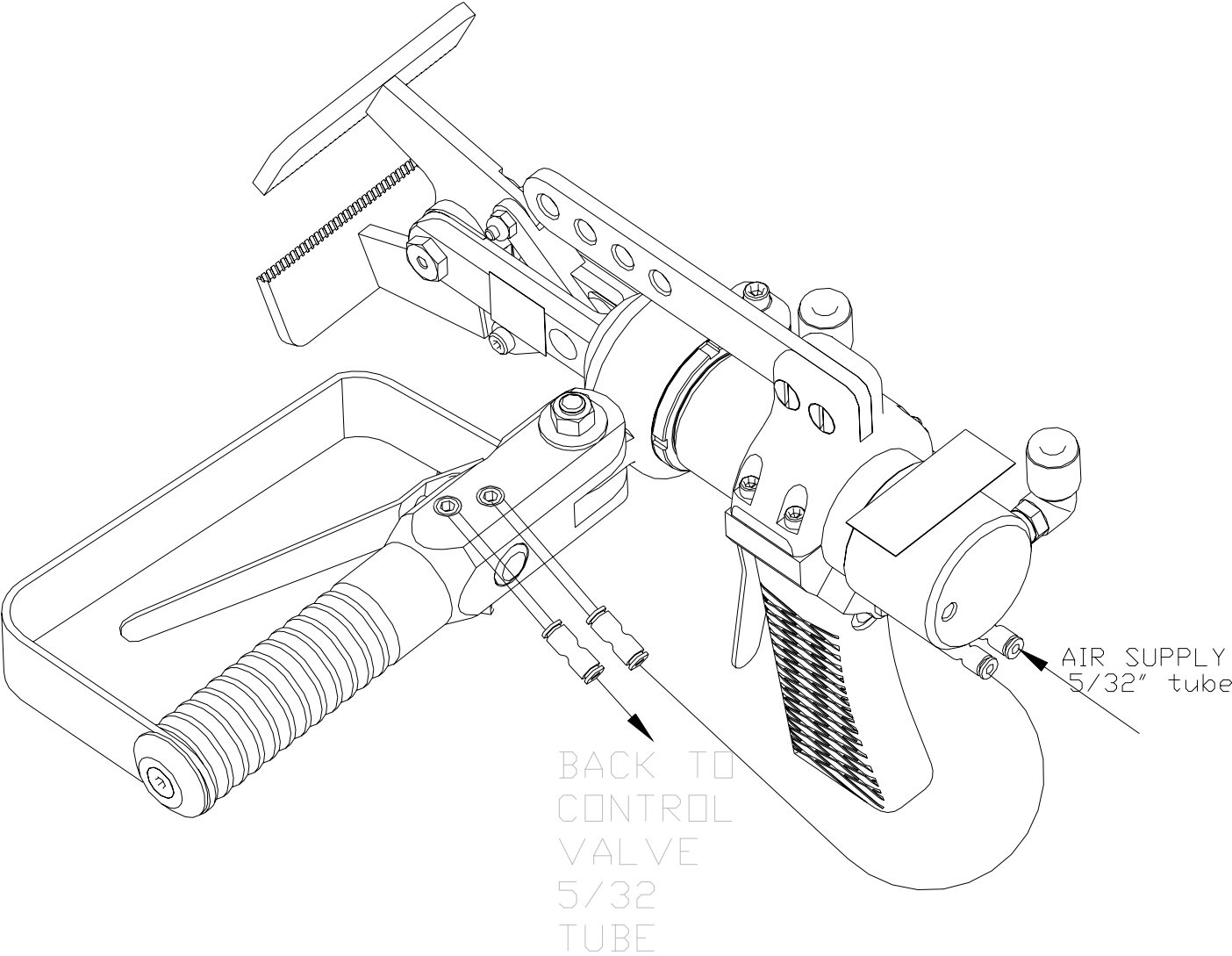
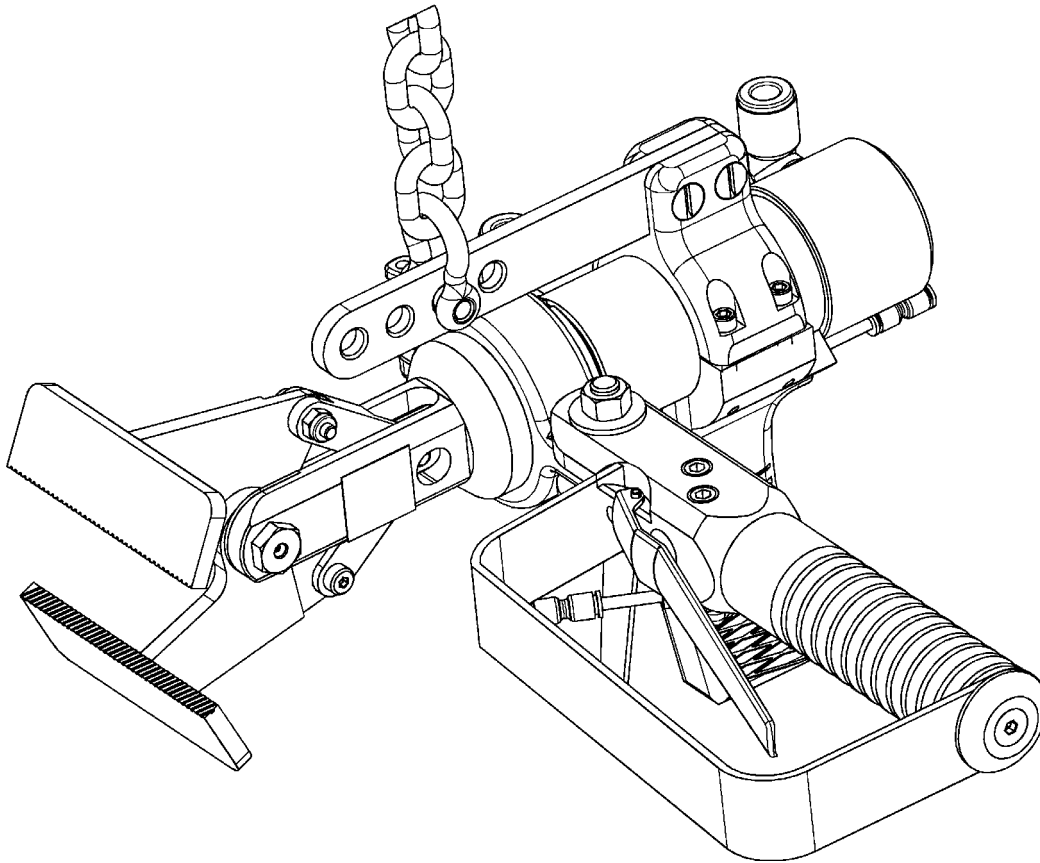


Figure 12 AIR HANDELS CONNECTION

[ENGLISH]

GENERAL INFORMATION



MODEL "M-8" LEAFLARD PULLER

SERVICE CENTERS

KENTMASTER LTD. (U.K)
16 AVONBANK INDUSTRIAL CENTRE
WEST TOWN ROAD
AVONMOUTH - BRISTOL BS11 9DE
UNITED KINGDOM

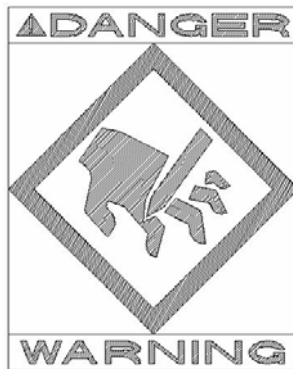
☎ TELEPHONE: ++ 44- (0) 117- 9235035
FAX: ++ 44- (0) 117- 9829010

KENTMASTER MFG. CO., INC.
1801 SOUTH MOUNTAIN AVE.
MONROVIA, CALIFORNIA 91016
UNITED STATES OF AMERICA

☎ TELEPHONE: (626) 359-8888
FAX: (626) 303-5151

NOTICE TO EMPLOYER AND PURCHASER OF TOOL
NOTICE TO SAFETY DIRECTOR

You have purchased a powerful tool that, if misused, can cause severe injury and harm to your employees. You must instruct your employees in the safe and proper use of this tool and to follow the safety procedures and instructions that have been supplied by the manufacturer of this tool. Please follow the following instructions.



1. Instruct tool operators to test the tool each day before using it to be sure it does not malfunction. Remove and repair any tool that malfunctions.
2. Instruct tool operators to immediately stop using a tool that malfunctions or is defective.
3. Instruct personnel to immediately remove all tools that malfunction. Be sure to disconnect tool from power supply.
4. Instruct all personnel to stay clear of tool, and not to stand or walk in front of, or next to tool when in use.
5. Point out to all personnel the dangers related to the misuse of tool and the importance of following safety procedures and instructions.
6. Do not make, or allow others to make, alterations or modifications to this tool. Replace all lost or illegible labels.
7. Follow all safety, installation and maintenance instructions provided with this tool. Establish proper safety procedures in accordance with local and national requirements to prevent accidental energizing of tool that can cause injuries.
8. If this tool is sold or change in ownership takes place, you must provide the new owner all safety instructions, notices and maintenance instructions you were originally provided. You can obtain additional copies of the instructions from Kentmaster, free of charge upon request.
9. Give copies of instructions to:
 - (A) Tool Operators**
 - (B) Maintenance Supervisor**
 - (C) Clean-up Supervisor**

GENERAL INFORMATION


COVERING: SAFETY PRECAUTIONS AND PLACING INTO SERVICE


AIR OPERATED LEAFLARD PULLER

**READ THIS MANUAL CAREFULLY BEFORE INSTALLING, OPERATING OR SERVICING THIS
TOOL**


IT IS THE RESPONSIBILITY OF THE EMPLOYER TO PLACE THIS INFORMATION INTO THE HANDS OF THE OPERATOR.


PLACING INTO SERVICE

 **WARNING** = Hazards or unsafe practices which could result in severe personal injury, death or substantial property damage.

 **CAUTION** = Hazards or unsafe practices which could result in minor personal injury, product or property damage.

 **NOTICE** = Important installation, operation or maintenance information.

 **WARNING** Installation, adjustment repair and maintenance of this tool must be made by trained and qualified personnel.

 **WARNING** Always disconnect power supply from tool before:
(A) Installing or removing blade from tool.
(B) Making repairs or adjustments to the tool.
(C) performing maintenance or cleanup work.

DECLARATION OF CONFORMITY

DECLARATION OF CONFORMITY

DECLARATION DE CONFORMITE -DECLARACION DE CONFORMIDAD- ERKLARUNG BEZUGLICH EINHALTUNG DER VORSCHRIFTEN
DICHIARAZIONE DI CONFORMITA . CONFORMITEITSVERKLARING

MANUFACTURED BY:

FABRIQUE PAR:
FABRICADA POR:
HERGESTELLTVON:
FABBRICATO DA:
VERVAARDIGD DOOR:

KENTMASTER MFG CO., INC.
1801 SOUTH MOUNTAIN AVE.
MONROVIA, CALIFORNIA 91016
UNITED STATES OF AMERICA
TELEPHONE (626) 359-8888 FAX (626) 303-5151

TYPE / SERIES: LEAFLARD PULLER

TYPE / SERIE:
TIPO / SERIE:
TYP / SERIE:
TIPO / SERIE:
TYPE / SERIE:

MODEL: M-8

MODELE:
MODELO:
MODELL:
MODELLO:
MODEL:

SERIAL NO. RANGE: XXXXX

N SERIE: • GAMA DE No. DE SERIE: • SERIEN-NR.-BEREICH: • NUMERI DI SERIE: • SERIENUMMERS:

This product complies with the following European Community Directives:

Ce produit est conforme aux directives de la Communauté européenne suivantes:
Este producto cumple con las siguientes Directrices de la Comunidad Europea:
Dieses Produkt erfüllt die folgenden Vorschriften der Europäischen Gemeinschaft:
Questo prodotto è conforme alle seguenti direttive CEE:
Dit produkt voldoet aan de volgende EG-richtlijnen:

89/392/EEC, 91/368/EEC, 93/44/EEC, 93/68/EEC

The following Standards were used to verify compliance with the Directives:

Les normes suivantes ont été utilisées pour vérifier la conformité avec les Directives:
Las siguientes Normas se usaron para verificar el cumplimiento de las Directrices:
Folgende Normen wurden angewandt, um Erfüllung der Vorschriften zu bestätigen:
Per verificare la conformità del prodotto alle direttive sono stati usati i seguenti standard:
De volgende normen zijn gebruikt om naleving van de richtlijnen te bevestigen:

EN 292

Approved by: _____

Date: JAN - 1 - 1995

RALPH KARUBIAN MONROVIA, CA. U.S.A
(Engineering Manager) (Directeur technique) (gerente de ingenieria) (verantwortlicher Konstruktionsleiter) (Responsabile tecnico) (ondersteunend technisch manager)

Kentmaster Worldwide Location

Kentmaster Equipment (Aust) PTY.LTD.

Unit 2,24 Central Court
Browns Plains Qld. 4118
Australia

Telephone: (07) 3806-8400

Fax: (07) 3806-7933

Australia@Kentmaster.com

Kentmaster do Brasil, Ltda.

Av. Dr. Joao Teodoro No. 805
Bairro De Vila Rezende
13405-240 Piracicaba, SP,
Brazil

Telephone #1: (019) 3 413 3113

Telephone #2: (019)983-4973

Fax: (019) 3 413 3113

Brazil@Kentmaster.com

Kentmaster (IRL) LTD.

Benamore, Dublin Road.
Roscrea,
CO, Tipperary,
Ireland

Telephone: (353) 0505-23292

Fax: (353) 0505-23299

Ireland@Kentmaster.com

Kentmaster Equipment (NZ) LTD.

5 Cooper Street
Havelock North
New Zealand

Telephone #1: (64) 6 8777 857

Telephone #2: 0800 KENTMASTER

Fax: (64) 6 8777 858

NewZealand@Kentmaster.com

Kentmaster South Africa (PTY) LTD.

Johannesburg - S. Africa
Unit 54 Sunnyrock Park
Sunrock Close, Germiston
South Africa

Telephone: (27) 11-455-3748

Fax: (27) 11-455-3749

SouthAfrica@Kentmaster.com

Kentmaster (UK) LTD.

Unit 16 Avonbank Ind. Centre
West Town Rd, Avonmouth-Bristol,
BS11 9DE
England

Telephone: (44) 117-923-5035

Fax: (44)-117-932-9010

UK@Kentmaster.com

Kentmaster Mfg. Co., Inc.

1801 South Mountain Ave.
Monrovia, CA, 91016
USA

Telephone #1: (626) 359-8888

Telephone #2: (800) 421-1477

Fax: (626) 303-5151

info@Kentmaster.com

Kentmaster Omaha

4417 South 139th Street
Omaha, NE, 68137
USA

Telephone #1: (402) 896-3355

Telephone #2: (800) 367-3181

Fax: (402) 896-3311

Omaha@Kentmaster.com

INDEX

OPERATING AND SAFETY INSTRUCTIONS	2
OPERATING INSTRUCTIONS	3
MAINTENANCE	3
SERVICE	4
PARTS BOOK	5
MAIN ASSEMBLY	5
HANDLES	7
FRONT HANDLE	7
REAR HANDLE	8
CYLINDER ASSEMBLY	9
LIFT CYLINDER – CONTROL VALVE ASSEMBLY	10
M-8 AIR TUBING DIAGRAM	13
CYLINDERS – VALVE LINES	13
AIR HANDELS LINES.....	14
GENERAL INFORMATION	17
DECLARATION OF CONFORMITY	18
Kentmaster Worldwide Location	19
INDEX	20
FIGURES - INDEX	20

FIGURES - INDEX

Figure 1 MODEL M-8 – BLADE REPLACEMENT	3
Figure 2 MODEL “M-8” – MAIN ASSEMBLY	5
Figure 3 BOM FOR MODEL “M-8”.....	6
Figure 4 6606190: FRONT HANDLE – COMPLETE	7
Figure 5 6600530: AIR HANDLE	7
Figure 6 6606360: REAR HANDLE - COMPLETE	8
Figure 7 6606480: CYLINDER ASSEMBLY	9
Figure 8 6609510: LIFT CYLINDER – CONTROL VALVE.....	10
Figure 9 6609560: LIFT CYLINDER	11
Figure 10 6609550: CONTROL VALVE	12
Figure 11 M-8 AIR TUBING DIAGRAM	13
Figure 12 AIR HANDELS CONNECTION	14