

OPERATOR'S MANUAL

INCLUDING: OPERATION, INSTRUCTION, INSTALLATION, MAINTENANCE AND PARTSBOOK

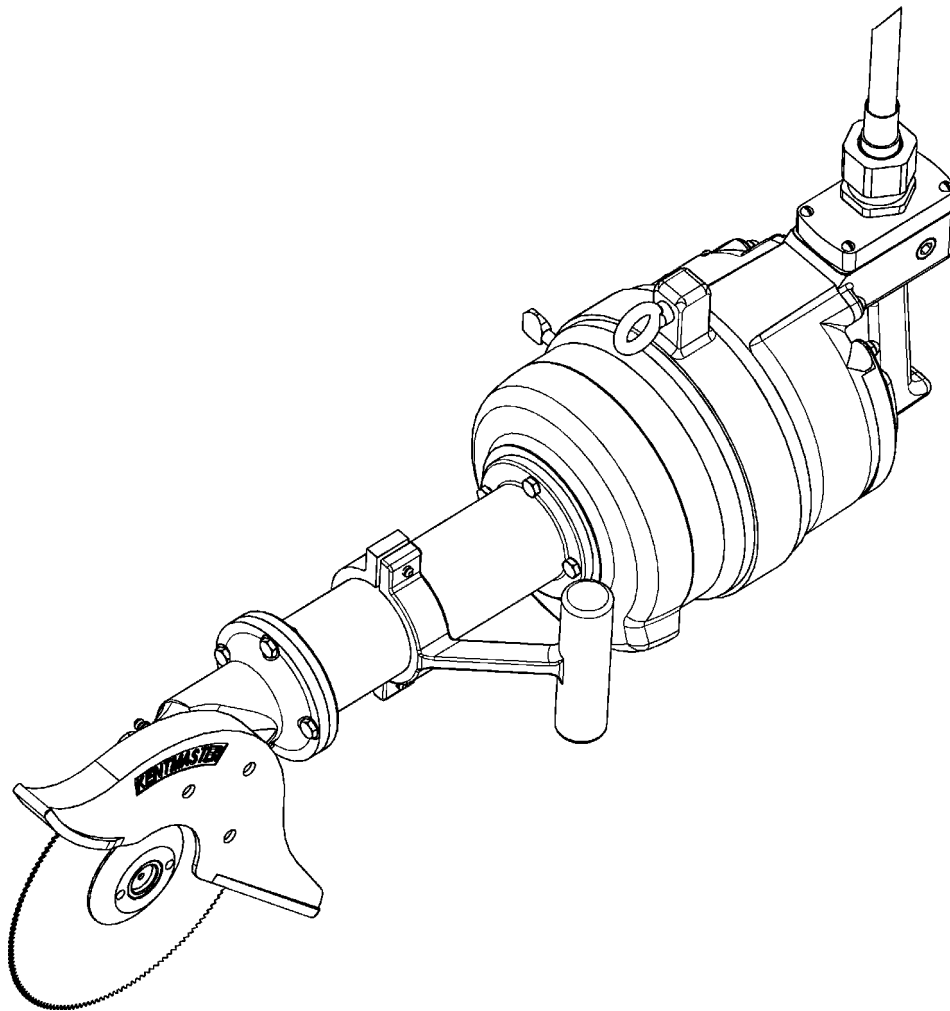
**IMPORTANT: READ THIS MANUAL CAREFULLY BEFORE INSTALLING, OPERATING OR
SERVICING THIS TOOL.**

EHB **ELECTRIC HOG BRISKET SAW**

TOOL DATA

MODEL: EHB
ASSEMBLY NO.: 1000200
TYPE: ELECTRICAL OPERATED
2HP MOTOR
NET WEIGHT: 50 lbs (22.7 kg)

Powerful Cutting Action
Easy to Clean and Sanitize



INDEX

TOOL DATA.....	1
INDEX	2
PLACING INTO SERVICE	3
INSTALLATION INSTRUCTIONS	4
OPERATING INSTRUCTIONS	4
MAINTENANCE	4
BLADE REMOVAL AND CLEANING.....	4
SERVICE.....	4
SPARE PARTS LIST	5
PARTS BOOK.....	6
EHB – MAIN ASSEMBLY.....	6
MOTOR ASSEMBLY	8
NOSE GEAR ASSEMBLY	11
NOSE GEAR ASSEMBLY	11
POWER SUPPLY.....	12
WIRING DIAGRAM.....	13
3 PHASE – DIFFERENT MOTOR AND CONTROL VOLTAGE, w/o ATD	14
3 PHASE – SAME MOTOR AND CONTROL VOLTAGE, w/o ATD.....	15
HANDLES.....	16
REAR HANDLE.....	16
FRONT HANDLE	17
NOTICE TO EMPLOYER AND PURCHASER OF TOOL.....	18
DECLARATION OF CONFORMITY	19
Kentmaster Worldwide Location	20
Figure 1 1000600: EHB - MAIN ASSEMBLY	6
Figure 2 EHB - BOM.....	7
Figure 3 MOTOR ASSEMBLY w/STATOR	8
Figure 4 1001591: MOTOR w/o STATOR.....	9
Figure 5 1000661: HANGER ASSEMBLY.....	10
Figure 6 1000291: ROTOR – SHAFT ASSEMBLY	10
Figure 7 6003132: NOSE GEAR ASSEMBLY “EHB”	11
Figure 8 1002420: POWER CORD ASSEMBLY, NON 42V.....	12
Figure 9 1002430: POWER CORD ASSEMBLY, 42V	12
Figure 10 ELECTRIC MOTOR LEAD HOOKUP DIAGRAM.....	13
Figure 11 WIRING DIAGRAM – different control and motor voltage, w/o ATD.....	14
Figure 12 WIRING DIAGRAM – same control and motor voltage, w/o ATD	15
Figure 13 1001561: REAR HANDLE ASSEMBLY	16
Figure 14 6003200: FRONT HANDLE.....	17

GENERAL INFORMATION

COVERING: SAFETY PRECAUTIONS AND PLACING INTO SERVICE

EHB**READ THIS MANUAL CAREFULLY BEFORE INSTALLING, OPERATING OR SERVICING THIS TOOL**

IT IS THE RESPONSIBILITY OF THE EMPLOYER TO PLACE THIS INFORMATION INTO THE HANDS OF THE OPERATOR.

PLACING INTO SERVICE**WARNING**

= Hazards or unsafe practices which could result in severe personal injury, death, or substantial property damage.

**CAUTION**

= Hazards or unsafe practices which could result in minor personal injury, product, or property damage.

**NOTICE**

= Important installation, operation or maintenance information.

**WARNING**

Installation, adjustment repair and maintenance of this tool must be made by trained and qualified personnel.

**WARNING**

Always disconnect power supply from tool before:

- (A) Installing or removing blades from tool.
- (B) Making repairs or adjustments to the tool.
- (C) Performing maintenance or cleanup work.

**WARNING**

Do not operate this tool until you have received training in the handling, operation and use of this tool.

**WARNING**

Stop using a malfunctioning or defective tool immediately, report any problems or defects to your supervisor for removal of the tool from service.

**WARNING**

Never place your hand or any part of your body in the cutting path of the tool.

**WARNING**

Do not activate control switches or triggers of this tool unless you intend to test or operate this tool.

**WARNING**

Never make alterations or modifications to this tool.

**WARNING**

Remove and disconnect power from the tool when tool is left unattended or not in use.

INSTALLATION INSTRUCTIONS

⚠ WARNING ALL ELECTRICAL WIRING MUST BE DONE BY A LICENSED ELECTRICIAN IN ACCORDANCE WITH THE NATIONAL, STATE AND LOCAL ELECTRICAL CODES. (REFER TO NAMEPLATE ON TOOL FOR PROPER POWER CONFIGURATION).

1. A BALANCER IS REQUIRED FOR OPERATION AND USE OF THIS TOOL. WEIGHT OF TOOL MUST FALL WITHIN WEIGHT RANGE OF BALANCER.
2. INSTALL BALANCER ABOVE WORK AREA. BALANCER MUST HAVE SUFFICIENT VERTICAL TRAVEL SO OPERATOR CAN REACH ENTIRE WORK AREA WITH TOOL WITHOUT STRAIN.
3. ADJUST BALANCER ACCORDING TO THE OPERATOR'S PREFERENCE AND COMFORT.
4. TOOL REQUIRES GREASING AFTER EVERY 40 HOURS OF OPERATION. GREASE USING KENTMASTER GREASE (PART NO. 7903030 FOR BEARINGS AND 7903090 FOR GEARS).

OPERATING INSTRUCTIONS

⚠ WARNING ONLY TRAINED PERSONNEL ARE TO OPERATE THIS TOOL.

1. TO HELP ENSURE TOOL IS OPERATING PROPERLY, PERFORM FOLLOWING STEPS AT START OF EACH SHIFT:
 - MAKE SURE TOOL MOVES UP AND DOWN FREELY WHILE HANGING FROM BALANCER OVERHEAD.
 - WITH POWER TO TOOL TURNED ON, TEST TRIGGER FOR PROPER OPERATION.
 - DEPRESS EACH TRIGGER SEPARATELY. TOOL SHOULD NOT ACTIVATE. DEPRESS BOTH TRIGGERS. TOOL SHOULD ACTIVATE.
 - IF TOOL HAS "ANTI-TIE DOWN" OPTION, BOTH TRIGGERS MUST BE DEPRESSED SIMULTANEOUSLY FOR TOOL TO ACTIVATE.
2. HOLD TOOL FIRMLY IN HAND WITH TRIGGER LEVERS IN POSITION TO BE ACTIVATED BY FINGERS.
3. SQUEEZE TRIGGERS TO ACTIVATE TOOL, RELEASE TRIGGERS TO DEACTIVATE TOOL.
4. POSITION TOOL AND PERFORM CUTTING OPERATION.
5. DO NOT LAY TOOL DOWN WHEN TOOL IS NOT BEING USED

MAINTENANCE

⚠ WARNING ONLY TRAINED AND QUALIFIED PERSONNEL ARE TO PERFORM MAINTENANCE AND SERVICE TO THIS TOOL.

1. TOOL REQUIRES GREASING AFTER EVERY 40 HOURS OF OPERATION. GREASE USING KENTMASTER GREASE (PART NO. 7903030 FOR BEARINGS AND 7903090 FOR GEARS)

BLADE REMOVAL AND CLEANING

⚠ WARNING ALWAYS DISCONNECT POWER SUPPLY FROM TOOL BEFORE INSTALLING OR REMOVING BLADES FROM TOOL.

1. REMOVE BLADE NUT (PART NO. 6003180) USING WRENCH (4501610)
2. REMOVE BLADE.
3. SHARPEN BLADES WHEN NECESSARY.
5. REASSEMBLE ALL PARTS IN REVERSE ORDER.

SERVICE

1. KEEP GOOD RECORDS OF ALL SERVICE ACTIVITY AND INCLUDE TOOL IN YOUR PREVENTIVE MAINTENANCE PROGRAM.
2. USE ONLY GENUINE KENTMASTER REPLACEMENT PARTS TO ASSURE PROPER PERFORMANCE OF TOOL.
3. CONTACT THE KENTMASTER SUPPLIER NEAREST YOU FOR PARTS AND CUSTOMER SERVICE INFORMATION.

SPARE PARTS LIST

PART NO.	DESCRIPTION	QTY
4000230	8" Saw Blade (150 TEETH)	2
4000070	8" Saw Blade (170 TEETH)	2
3204050	Bearing – Motor	1
3304050	Bearing – Motor	1
3601150	Bearing- Hanger Carrier	1
1002050	Gasket, Rear Handle	1
2000540	Switch, Rear Handle	1
2000090	Boot-Moisture Seal – Rear Handle	1
See chart	Contactor, Magnetic Starter	1
See chart	Relay, Magnetic Starter	1
1000400	Bevel/Spur Gear	1
1000410	Pinion	1
1000440	Gasket, Gear Nose	1
1000740	Driven Spur Gear	1
3521020	Bearing, Double Row, Gear Nose	1
3524030	Bearing, Gear Nose	1
3650020	Bearing Cone	2
3650030	Bearing Cup	2
7885580	Seal, Gear Nose	1

PARTS BOOK

EHB - MAIN ASSEMBLY

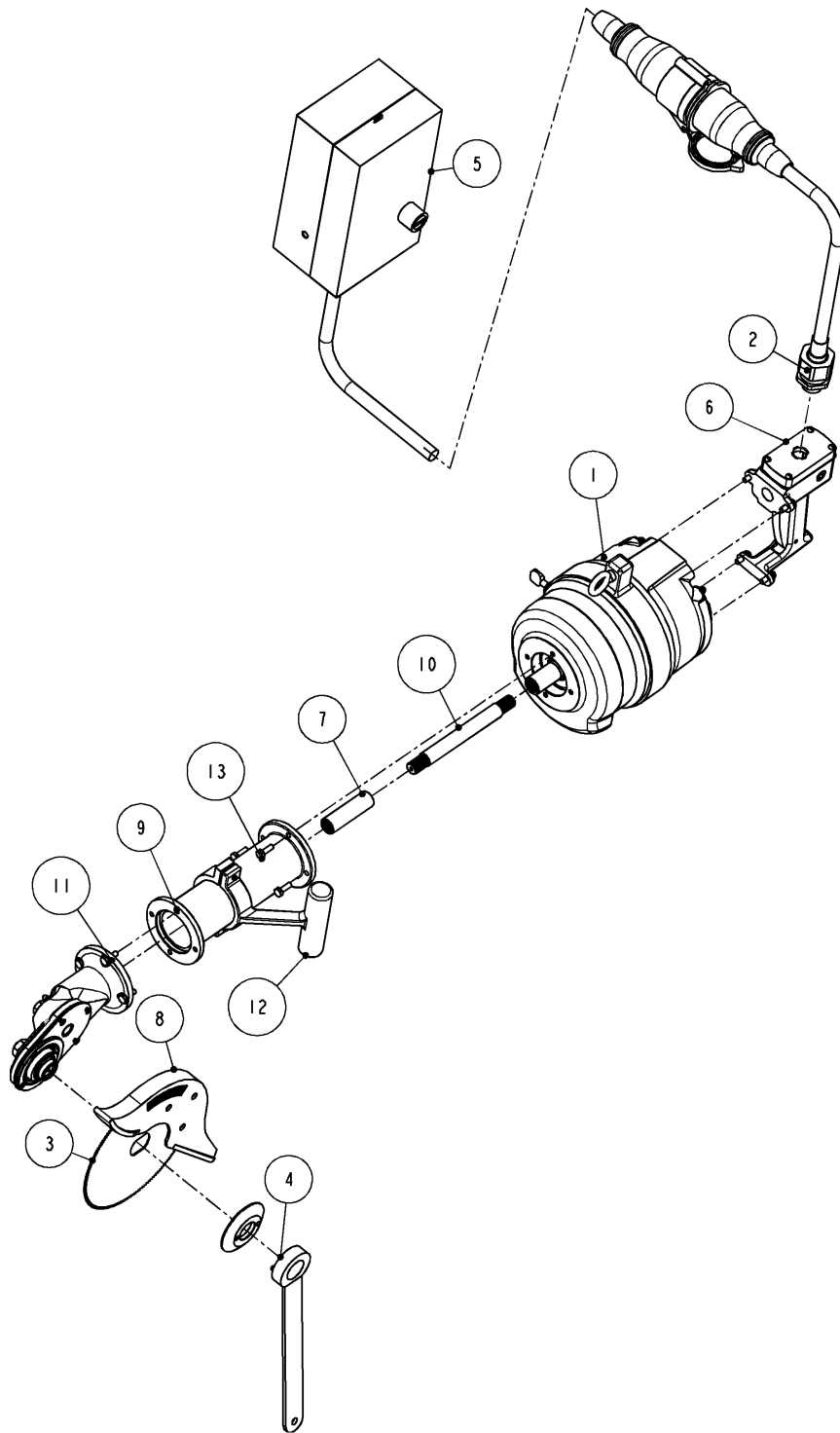
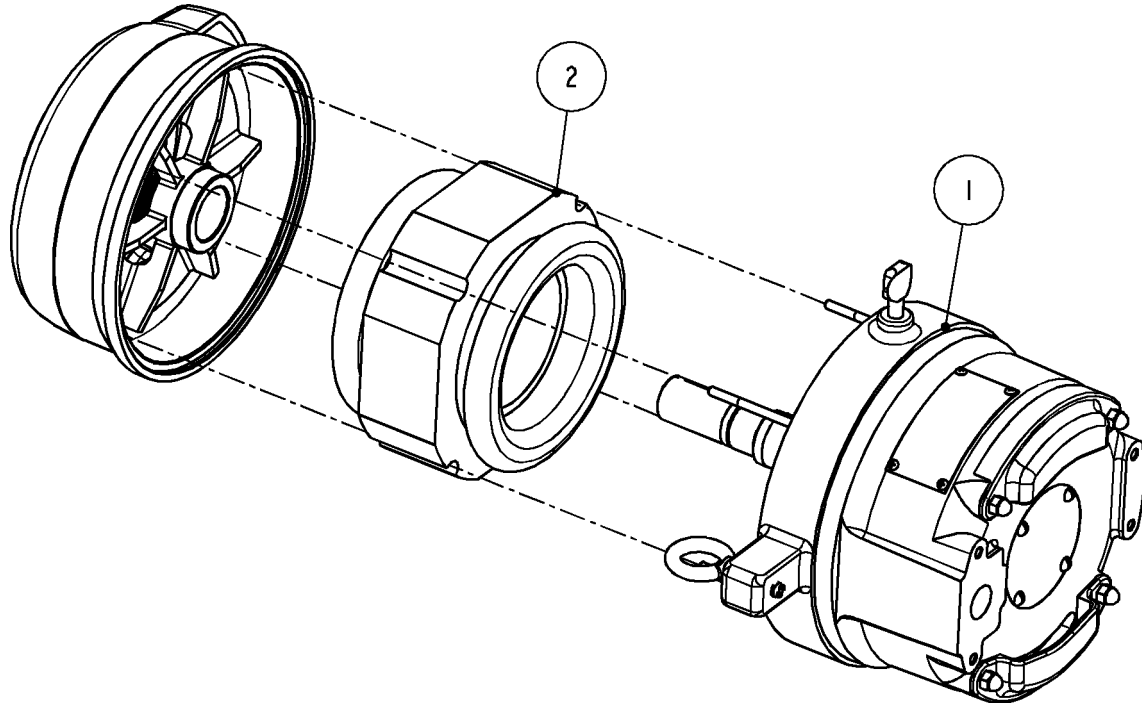


Figure 1 1000600: EHB - MAIN ASSEMBLY

1000600: EHB, ELECTRIC HOG BRISKET SAW			
ITEM	PART #	DESCRIPTION	QTY
1	SEE OPTIONS	MOTOR ASSEMBLY	1
2	1002420	POWER CORD ASSEMBLY, NON 42V	1
	1002430	POWER CORD ASSEMBLY, 42V	1
3	4000070	8" SAW BLADE, 170 TEETH	1
	4000023	8" SAW BLADE, 150 TEETH	1
4	4501610	WRENCH	1
	4501320	LOCKNUT WRENCH - OPTIONAL	1
	4501350	RETAINING RINGS PLIERS - OPTIONAL	1
5	OPTIONS	MAGNETIC STARTER BOX	1
6	1001561	REAR HANDLE ASSEMBLY	1
7	6001250	COUPLING	1
8	6001380	BLADE GUARD	1
9	6001390	EXTENSION HOUSIN	1
10	6001840	EXTENSION SHAFT	1
11	6003132	GEAR-NOSE ASSEMBLY	1
12	6003200	FRONT HANDLE ASSEMBLY	1
13	8411060	SCREW	4

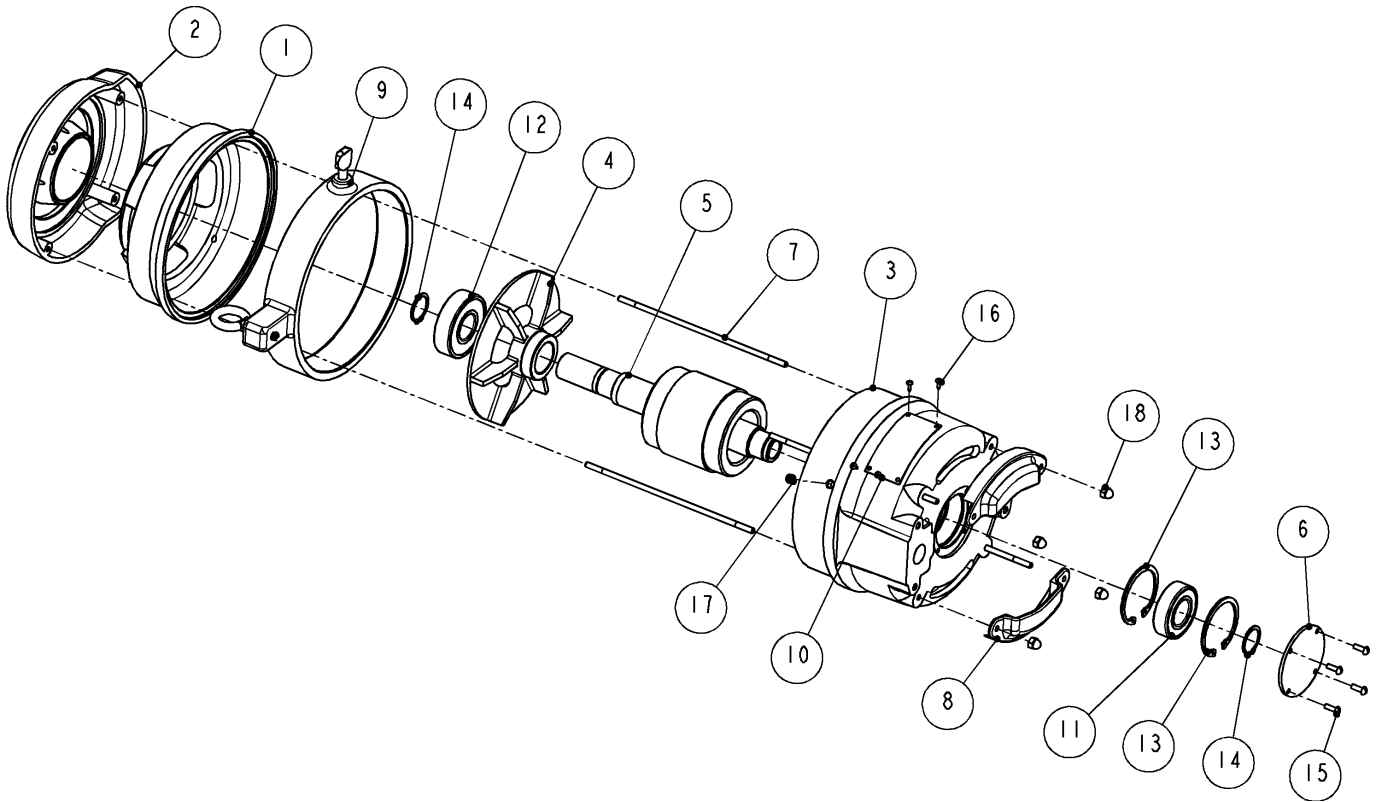
Figure 2 EHB - BOM

MOTOR ASSEMBLY



MOTOR ASSEMBLY 2HP, 380V, 3PH, 50HZ, 3.2AMPS	1001595-380-350	2311420	1001591
MOTOR ASSEMBLY 2HP, 220V, 3PH, 50HZ, 5.5AMPS	1001595-220-350	2311420	1001591
MOTOR ASSEMBLY 2HP, 230V, 3PH, 50HZ, 5.3AMPS	1001594-230-350	2311410	1001591
MOTOR ASSEMBLY 2HP, 115V, 3PH, 50HZ, 10.6AMPS	1001594-115-350	2311410	1001591
MOTOR ASSEMBLY 2HP, 42V, 3PH, 50HZ, 30AMPS	1001590-42	2311400	1001591
MOTOR ASSEMBLY 2HP, 460V, 3PH, 60HZ, 2.6AMPS	1001593-460-360	2310401	1001591
MOTOR ASSEMBLY 2HP, 230V, 3PH, 60HZ, 5.2AMPS	1001593-230-360	2310401	1001591
MOTOR ASSEMBLY 2HP, 550V, 3PH, 60HZ, 2.2AMPS	1001590-550	2310380	1001591
MOTOR ASSEMBLY 2HP, 416V, 3PH, 60HZ, 2.9AMPS	1001592-416-360	2310340	1001591
MOTOR ASSEMBLY 2HP, 208V, 3PH, 60HZ, 5.8AMPS	1001592-208-360	2310340	1001591
MOTOR OPTION DESCRIPTION	MOTOR ASSEMBLY	#2 STATOR	#1 MOTOR w/o STATOR
MOTOR ASSEMBLY			

Figure 3 MOTOR ASSEMBLY w/STATOR



1001591: MOTOR w/o STATOR			
ITEM	PART #	DESCRIPTION	QTY
1	1000220	HOUSING - FAN	1
2	1000230	FRONT END BELL	1
3	1000240	END BELL	1
4	1000270	FAN	1
5	1000291	ROTOR AND SHAFT ASSEMBLY	1
6	1000390	COVER END BELL	1
7	1000460	TIE ROD	4
8	1000480	DEFLECTOR - AIR	2
9	1000661	HANGER ASSEMBLY	1
10	2000040	NAME PLATE	1
11	3204050	BEARING	1
12	3304050	BEARING	1
13	5002060	RETAINING RING	2
14	5100980	RETAINING RING	2
15	8028040	SCREW	4
16	8081020	SCREW	4
17	8313020	SET SCREW	1
18	8501090	NUT	4

Figure 4 1001591: MOTOR w/o STATOR

1000661: HANGER ASSEMBLY			
ITEM	PART #	DESCRIPTION	QTY
1	1000660	HANGER RING	1
2	3850010	NYLON BEARING STRIP	1
3	8443080	SCREW	1
4	8463070	SHOULDER EYE BOLT	1
5	8703020	PLUG	1

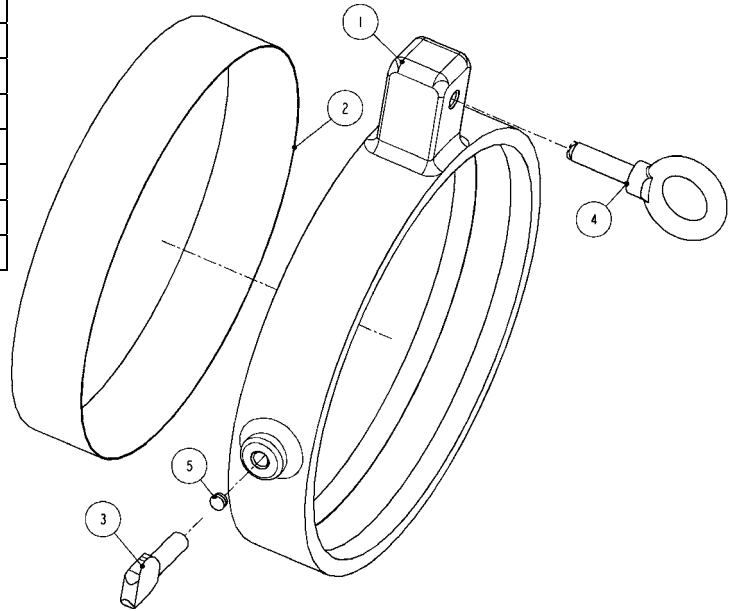
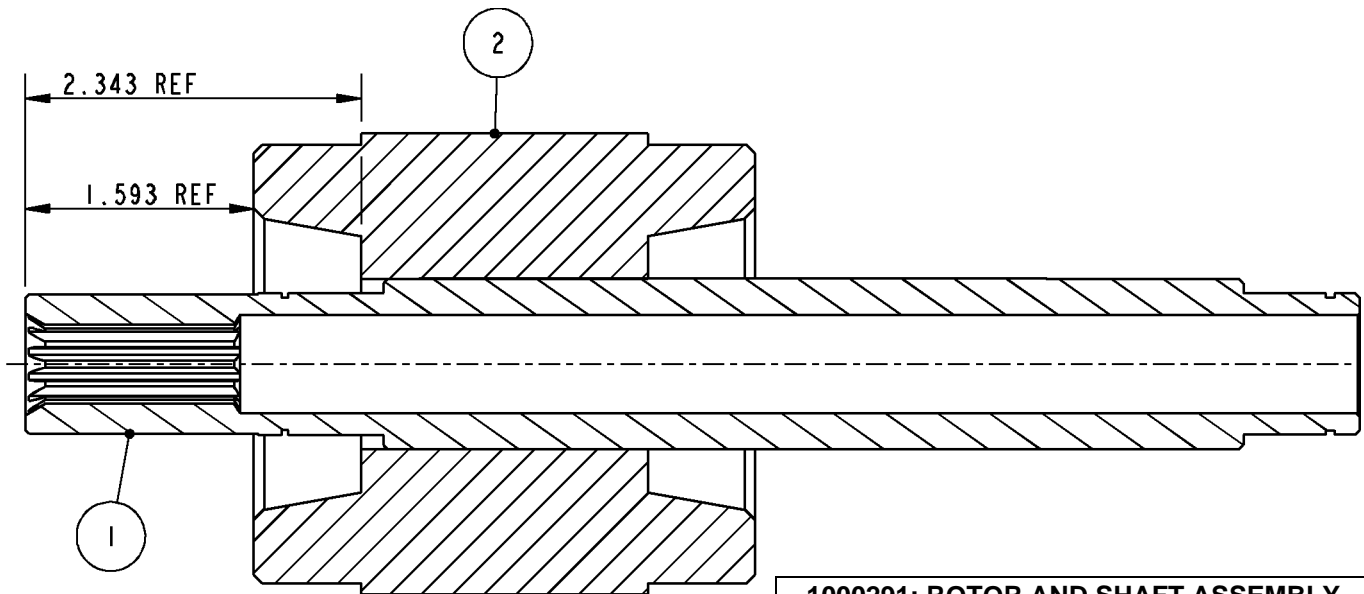


Figure 5 1000661: HANGER ASSEMBLY

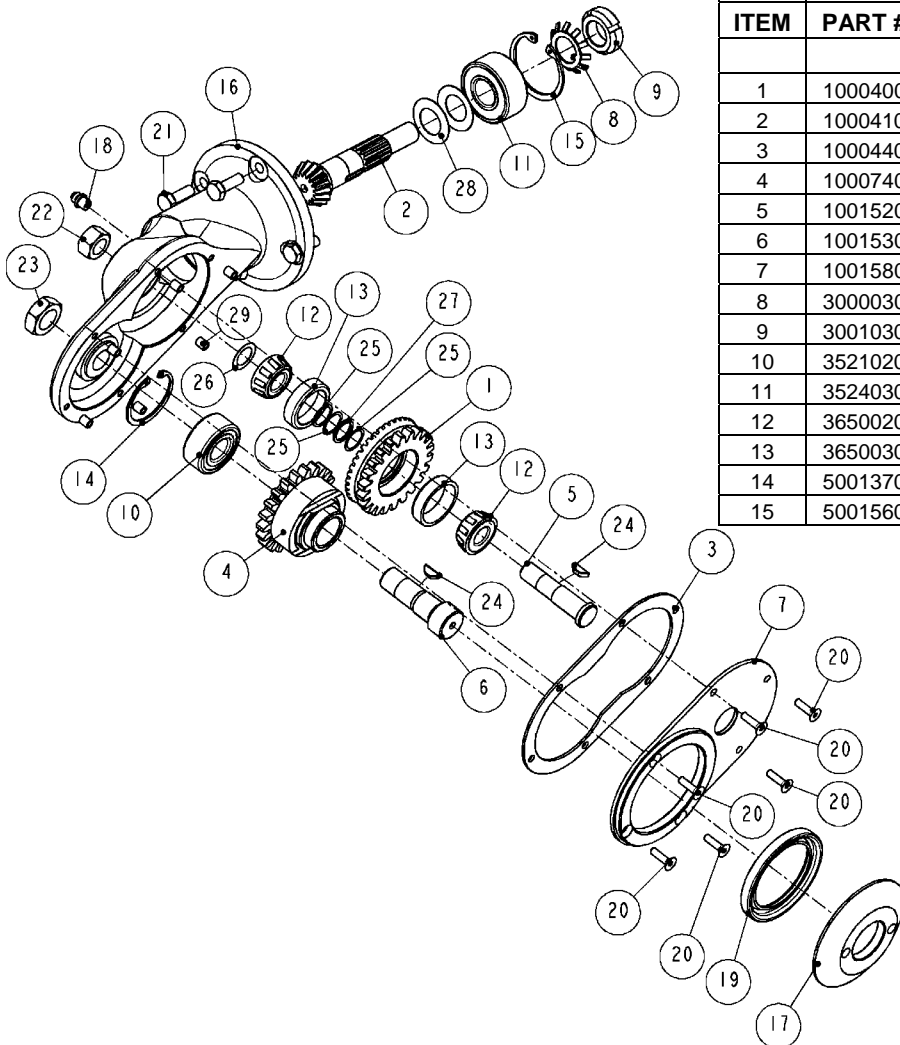


1000291: ROTOR AND SHAFT ASSEMBLY			
ITEM	PART #	DESCRIPTION	QTY
1	1000290	MOTOR SHAFT	1
2	2310410	ROTOR	1

Figure 6 1000291: ROTOR – SHAFT ASSEMBLY

NOSE GEAR ASSEMBLY

NOSE GEAR ASSEMBLY



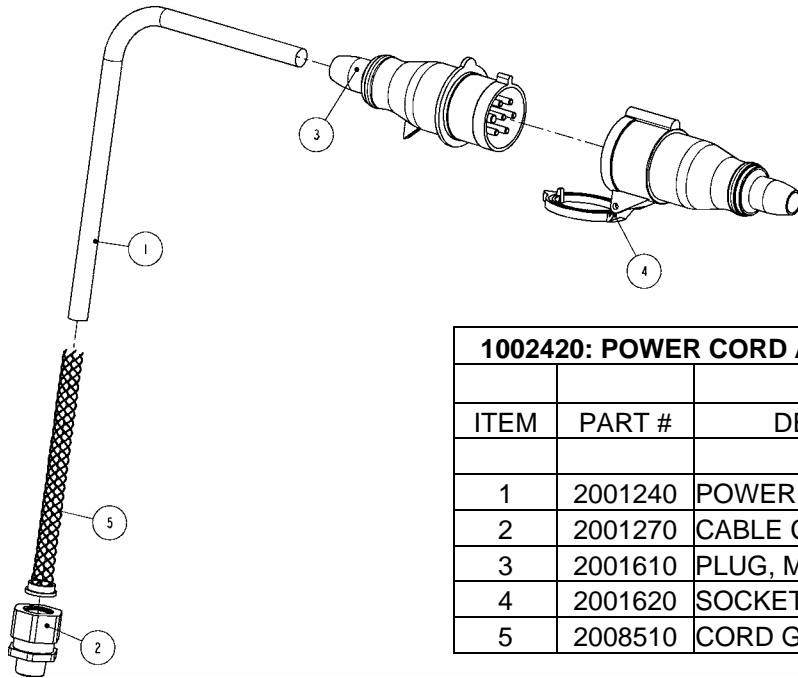
6003132: GEAR-NOSE ASSEMBLY							
ITEM	PART #	DESCRIPTION	QTY	ITEM	PART #	DESCRIPTION	QTY
1	1000400	BEVEL/SPUR GEAR	1	16	6003080	GEAR NOSE HOUSING	1
2	1000410	PINION	1	17	6003180	NUT - BLADE	1
3	1000440	GASKET	1	18	7017110	GREASE FITTING	1
4	1000740	DRIVEN SPUR GEAR	1	19	7885580	SEAL	1
5	1001520	SHAFT	1	20	8270530	SCREW	6
6	1001530	SHAFT	1	21	8411060	SCREW	4
7	1001580	COVER GEAR NOSE	1	22	8500470	NUT	1
8	3000030	LOCKWASHER	1	23	8500520	NUT	1
9	3001030	LOCKNUT	1	24	8600440	KEY	2
10	3521020	BEARING - DOUBLE ROW	1	25	8705000	WASHER	3
11	3524030	BEARING	1	26	8705010	WASHER	1
12	3650020	BEARING CONE	2	27	8705470	WASHER	1
13	3650030	BEARING CUP	2	28	8712030	SPRING WASHER	2
14	5001370	RETAINING RING	1	29	8803080	INSERT	6
15	5001560	RETAINING RING	1				

Figure 7 6003132: NOSE GEAR ASSEMBLY "EHB"

KENTMASTER MFG. CO., INC. 1801 SOUTH MOUNTAIN AVE., MONROVIA, CALIFORNIA 91016 UNITED STATES OF AMERICA

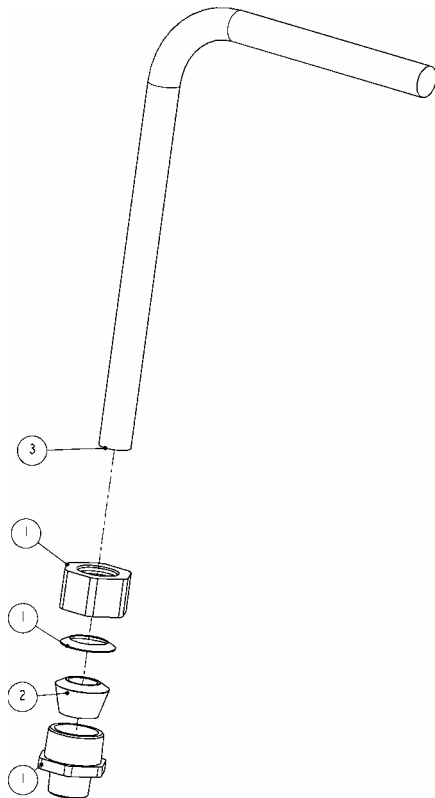
☎ TELEPHONE: (818) 359-8888 FAX: (818) 303-5151

POWER SUPPLY



1002420: POWER CORD ASSEMBLY, NON 42V			
ITEM	PART #	DESCRIPTION	QTY
1	2001240	POWER CORD	1
2	2001270	CABLE CONNECTOR	1
3	2001610	PLUG, MALE	1
4	2001620	SOCKET, FEMALE	1
5	2008510	CORD GRIP	1

Figure 8 1002420: POWER CORD ASSEMBLY, NON 42V



1002430: POWER CORD ASSEMBLY, 42V			
ITEM	PART #	DESCRIPTION	QTY
1	2001270	CABLE CONNECTOR	1
2	2001700	GROMMET	1
3	2007030	POWER CORD	1

Figure 9 1002430: POWER CORD ASSEMBLY, 42V

WIRING DIAGRAM

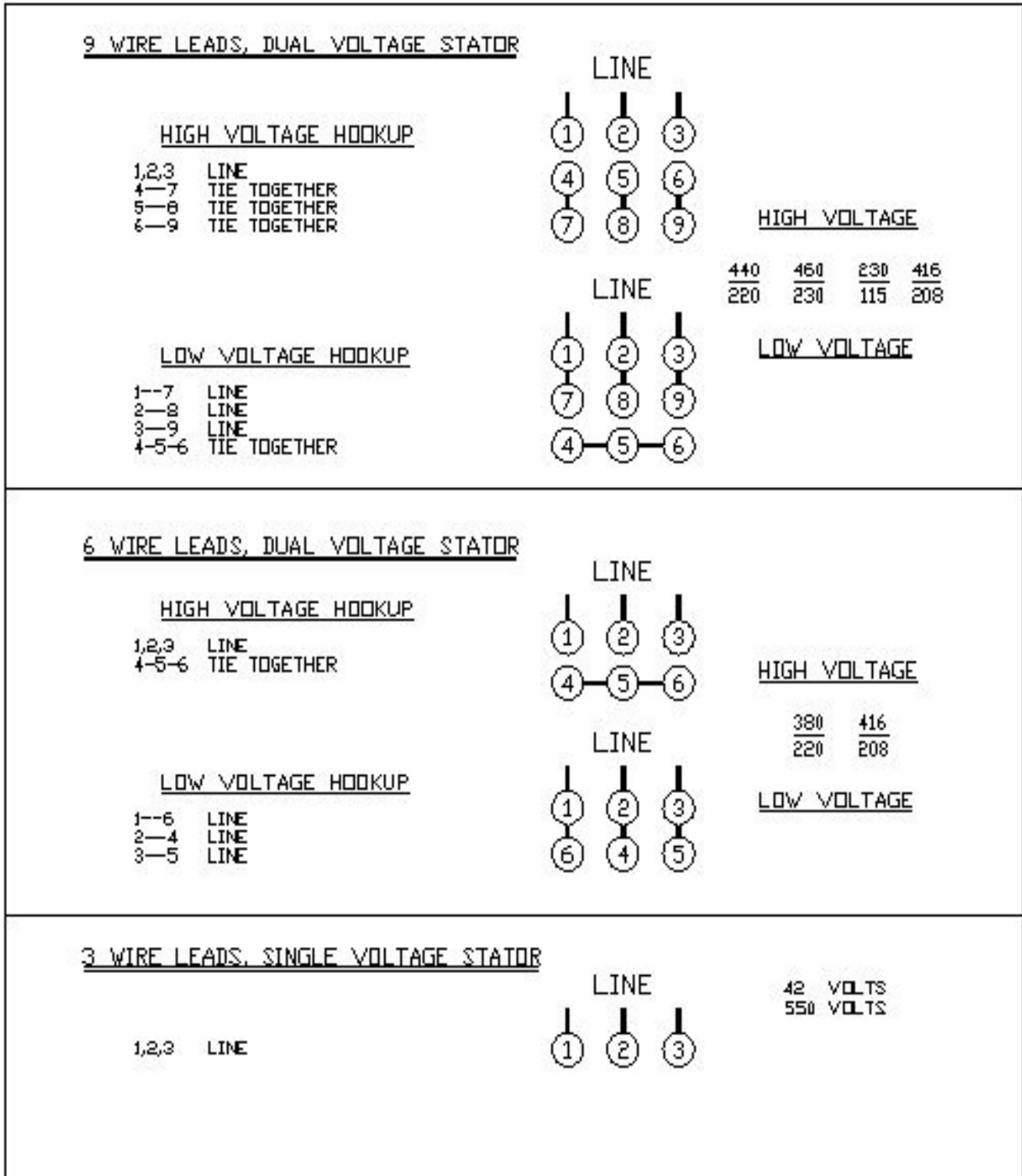
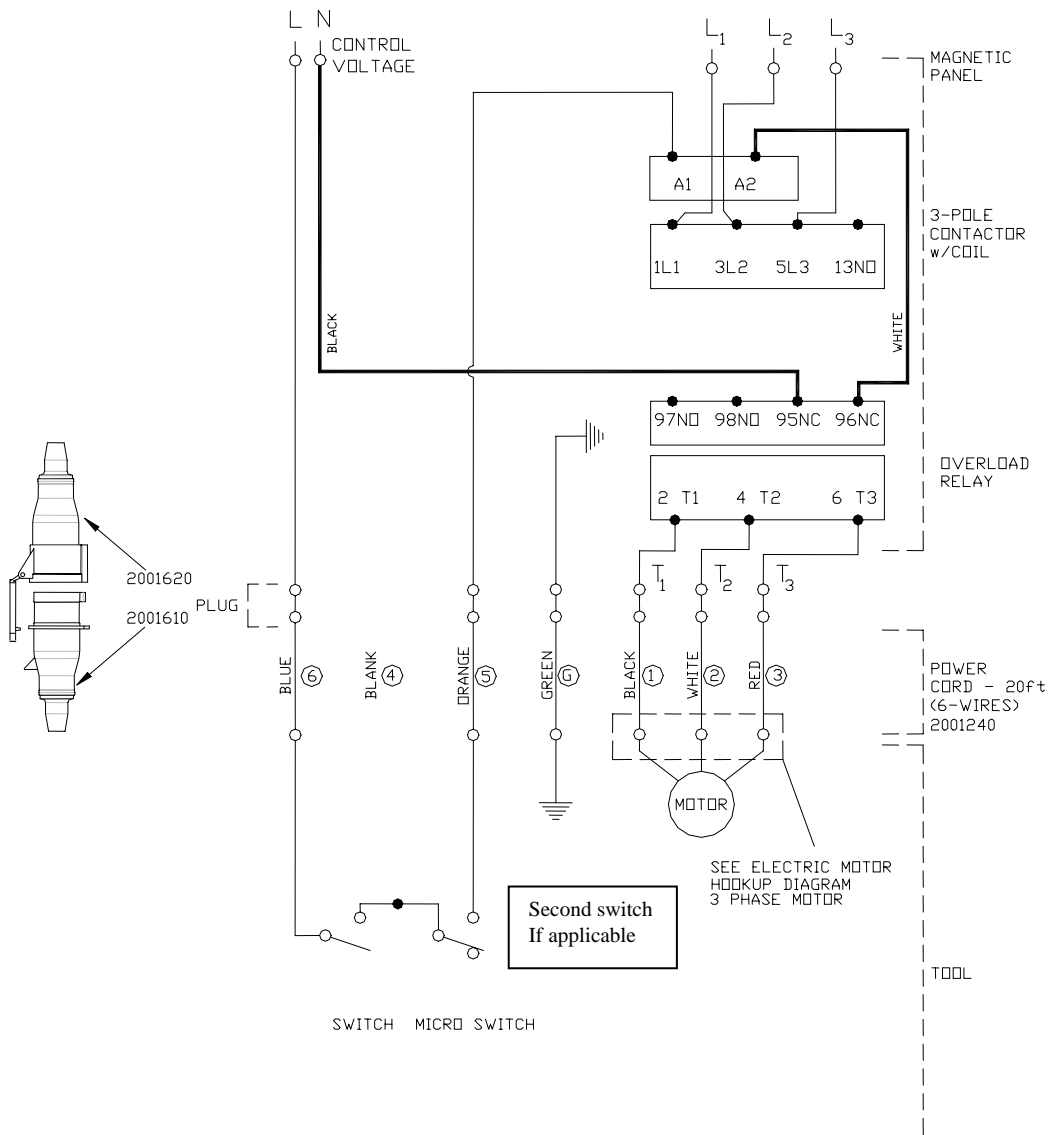


Figure 10 ELECTRIC MOTOR LEAD HOOKUP DIAGRAM

3 PHASE – DIFFERENT MOTOR AND CONTROL VOLTAGE, w/o ATD



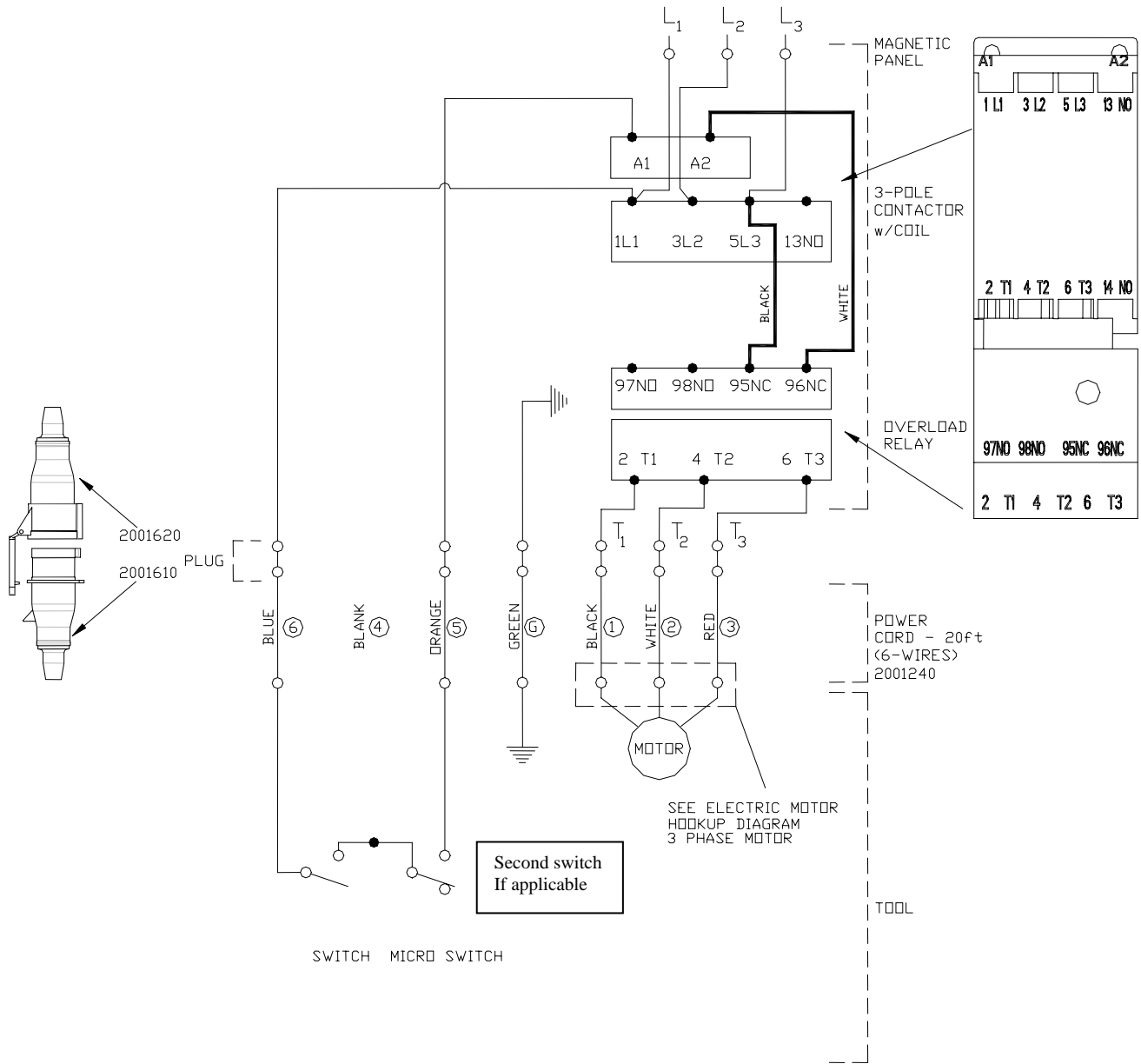
NOTES:

1. DO NOT ATTEMPT OR MAKE REPAIRS ON THE MACHINE WHILE POWER IS ON.
2. ALL ELECTRICAL WORK MUST BE PERFORMED BY A QUALIFIED ELECTRICIAN.
3. THE ELECTRICAL DIAGRAM SHOWS THE MACHINE IN THE “OFF” POSITION.
4. THE GROUND WIRE (GREEN) OF THE POWER CABLE IS CONNECTED TO THE FRAME OF THE MACHINE.

To obtain the correct Kentmaster part number for 3-pole contactor and overload relay, please contact the Kentmaster representative.

Figure 11 WIRING DIAGRAM – different control and motor voltage, w/o ATD

3 PHASE – SAME MOTOR AND CONTROL VOLTAGE, w/o ATD



NOTES:

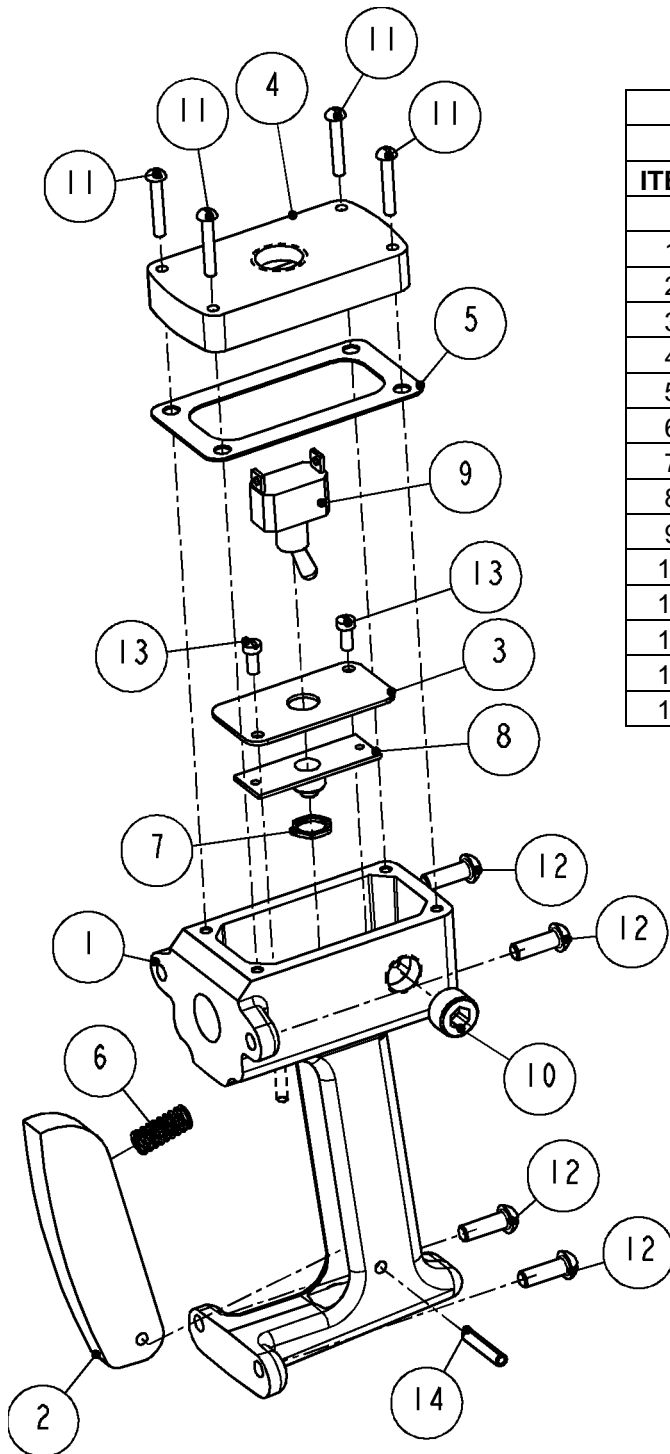
1. DO NOT ATTEMPT OR MAKE REPAIRS ON THE MACHINE WHILE POWER IS ON.
2. ALL ELECTRICAL WORK MUST BE PERFORMED BY A QUALIFIED ELECTRICIAN.
3. THE ELECTRICAL DIAGRAM SHOWS THE MACHINE IN THE “OFF” POSITION.
4. THE GROUND WIRE (GREEN) OF THE POWER CABLE IS CONNECTED TO THE FRAME OF THE MACHINE.

To obtain the correct Kentmaster part number for 3-pole contactor and overload relay, please contact the Kentmaster representative.

Figure 12 WIRING DIAGRAM – same control and motor voltage, w/o ATD

HANDLES

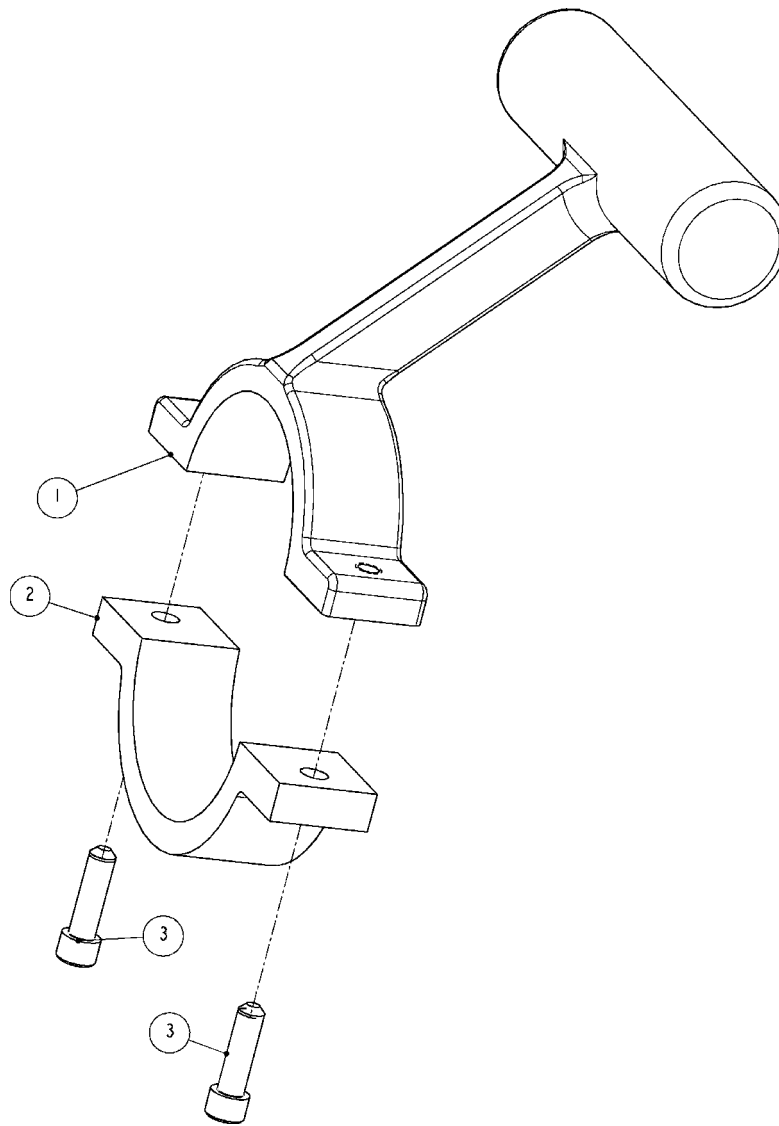
REAR HANDLE



1001561: REAR HANDLE ASSEMBLY			
ITEM	PART #	DESCRIPTION	QTY
1	1000260	HANDLE	1
2	1000380	TRIGGER	1
3	1000450	PLATE - SWITCH MOUNT	1
4	1001570	COVER - SWITCH HANDLE	1
5	1002050	GASKET	1
6	1500110	SPRING	1
7	2000080	LOCKNUT	1
8	2000090	BOOT - MOISTURE SEAL	1
9	2000540	SWITCH	1
10	7000030	PLUG	1
11	8028080	SCREW	4
12	8031060	SCREW	4
13	8068030	SCREW	2
14	8613160	PIN	1

Figure 13 1001561: REAR HANDLE ASSEMBLY

FRONT HANDLE

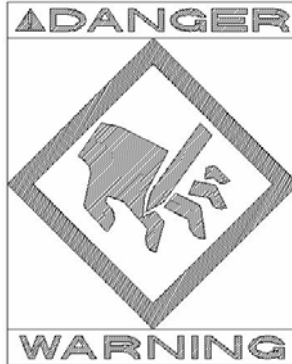


6003200: FRONT HANDLE ASSEMBLY			
ITEM	PART #	DESCRIPTION	QTY
1	6003090	HANDLE	1
2	6003190	CLAMP - HANDLE	1
3	8211070	SCREW	2

Figure 14 6003200: FRONT HANDLE

NOTICE TO EMPLOYER AND PURCHASER OF TOOL
NOTICE TO SAFETY DIRECTOR

You have purchased a powerful tool that, if misused, can cause severe injury and harm to your employees. You must instruct your employees in the safe and proper use of this tool and to follow the safety procedures and instructions that have been supplied by the manufacturer of this tool. Please follow the following instructions.



1. Instruct tool operators to test the tool each day before using it to be sure it does not malfunction. Remove and repair any tool that malfunctions.
2. Instruct tool operators to immediately stop using a tool that malfunctions or is defective.
3. Instruct personnel to immediately remove all tools that malfunction. Be sure to disconnect tool from power supply.
4. Instruct all personnel to stay clear of tool, and not to stand or walk in front of, or next to tool when in use.
5. Point out to all personnel the dangers related to the misuse of tool and the importance of following safety procedures and instructions.
6. Do not make, or allow others to make, alterations or modifications to this tool. Replace all lost or illegible labels.
7. Follow all safety, installation and maintenance instructions provided with this tool. Establish proper safety procedures in accordance with local and national requirements to prevent accidental energizing of tool that can cause injuries.
8. If this tool is sold or change in ownership takes place, you must provide the new owner all safety instructions, notices and maintenance instructions you were originally provided. You can obtain additional copies of the instructions from Kentmaster, free of charge upon request.
9. Give copies of instructions to:
(A) Tool Operators
(B) Maintenance Supervisor
(C) Clean-up Supervisor

KENTMASTER MFG. CO., INC. 1801 SOUTH MOUNTAIN AVE., MONROVIA, CALIFORNIA 91016 UNITED STATES OF AMERICA

☎ **TELEPHONE:** (818) 359-8888 **FAX:** (818) 303-5151

DECLARATION OF CONFORMITY

DECLARATION DE CONFORMITE -DECLARACION DE CONFORMIDAD- ERKLARUNG BEZUGLICH EINHALTUNG DER VORSCHRIFTEN
DICHIARAZIONE DI CONFORMITA . CONFORMITEITSVERKLARING

MANUFACTURED BY:

**KENTMASTER MFG CO., INC.
1801 SOUTH MOUNTAIN AVE.
MONROVIA, CALIFORNIA 91016
UNITED STATES OF AMERICA
TELEPHONE (818) 359-8888 FAX (818) 303-5151**

FABRIQUE PAR:
FABRICADA POR:
HERGESTELLT VON:
FABBRICATO DA:
VERVAARDIGD DOOR:

TYPE / SERIES: ELECTRIC HOG BRISKET SAW

TYPE / SERIE:
TIPO / SERIE:
TYP / SERIE:
TIPO / SERIE:
TYPE / SERIE:

MODEL: EHB

MODELE:
MODELO:
MODELL:
MODELLO:
MODEL:

SERIAL NO. RANGE: XXXXX

N SERIE: • GAMA DE No. DE SERIE: • SERIEN-NR.-BEREICH: • NUMERI DI SERIE: • SERIENUMMERS:

This product complies with the following European Community Directives:

Ce produit est conforme aux directives de la Communauté européenne suivantes:
Este producto cumple con las siguientes Directrices de la Comunidad Europea:
Dieses Produkt erfüllt die folgenden Vorschriften der Europäischen Gemeinschaft:
Questo prodotto e conforme alle seguenti direttive CEE:
Dit produkt voldoet aan de volgende EG-richtlijnen:

89/392/EEC, 91/368/EEC, 93/44/EEC, 93/68/EEC

The following Standards were used to verify compliance with the Directives:

Les normes suivantes ont ete utilisees pour verifier la conformite avec les Directives:
Las siguientes Normas se usaron para verificar el cumplimiento de las Directrices:
Folgende Normen wurden angewandt, um erfllung der vorschriften zu bestatigen:
Per verificare la conformita del prodotto alle direttive sono stati usati i seguenti standard:
De volgende normen zijn gebruikt om naleving van de richtlijnen te bevestigen:

EN 292

Approved by: _____

RALPH KARUBIAN MONROVIA, CA. U.S.A

Approuve par:
Aprobado por:
Genehmigt von:
Approvato da:

Goedgekeurd door: _____

RAY PETO MONROVIA, CA . U.S.A

(Engineering Manager) (Directeur technique) (gerente de ingenieria) (verantwortlicher Konstruktionsleiter) (Responsabile tecnico) (ondersteunend technisch mangar)

Date: NOV-03-2002

Date:
Fecha:
Datum:
Data:

Datum: **NOV-03-2002**

Kentmaster Worldwide Location

Kentmaster Equipment (Aust) PTY.LTD.
Unit 2,24 Central Court
Browns Plains Qld. 4118
Australia

Telephone: (07) 3806-8400
Fax: (07) 3806-7933
Australia@Kentmaster.com

Kentmaster do Brasil, Ltda.
Av. Dr. Joao Teodoro No. 805
Bairro De Vila Rezende
13405-240 Piracicaba, SP,
Brazil

Telephone #1: (019) 3 413 3113
Telephone #2: (019)983-4973
Fax: (019) 3 413 3113
Brazil@Kentmaster.com

Kentmaster (IRL) LTD.
Benamore, Dublin Road.
Roscrea,
CO, Tipperary,
Ireland

Telephone: (353) 0505-23292
Fax: (353) 0505-23299
Ireland@Kentmaster.com

Kentmaster Equipment (NZ) LTD.
5 Cooper Street
Havelock North
New Zealand

Telephone #1: (64) 6 8777 857
Telephone #2: 0800 KENTMASTER
Fax: (64) 6 8777 858
NewZealand@Kentmaster.com

Kentmaster South Africa (PTY) LTD.
Johannesburg - S. Africa
Unit 54 Sunnyrock Park
Sunrock Close, Germiston
South Africa

Telephone: (27) 11-455-3748
Fax: (27) 11-455-3749
SouthAfrica@Kentmaster.com

Kentmaster (UK) LTD.
Unit 16 Avonbank Ind. Centre
West Town Rd, Avonmouth-Bristol,
BS11 9DE
England

Telephone: (44) 117-923-5035
Fax: (44)-117-932-9010
UK@Kentmaster.com

Kentmaster Mfg. Co., Inc.
1801 South Mountain Ave.
Monrovia, CA, 91016
USA

Telephone #1: (626) 359-8888
Telephone #2: (800) 421-1477
Fax: (626) 303-5151
info@Kentmaster.com

Kentmaster Omaha
4417 South 139th Street
Omaha, NE, 68137
USA

Telephone #1: (402) 896-3355
Telephone #2: (800) 367-3181
Fax: (402) 896-3311
Omaha@Kentmaster.com
