

HSC-650, HSC-800

## **HSC-650, HSC-800**

**INCLUDING: OPERATION, INSTRUCTION, INSTALLATION, MAINTENANCE AND PARTSBOOK**

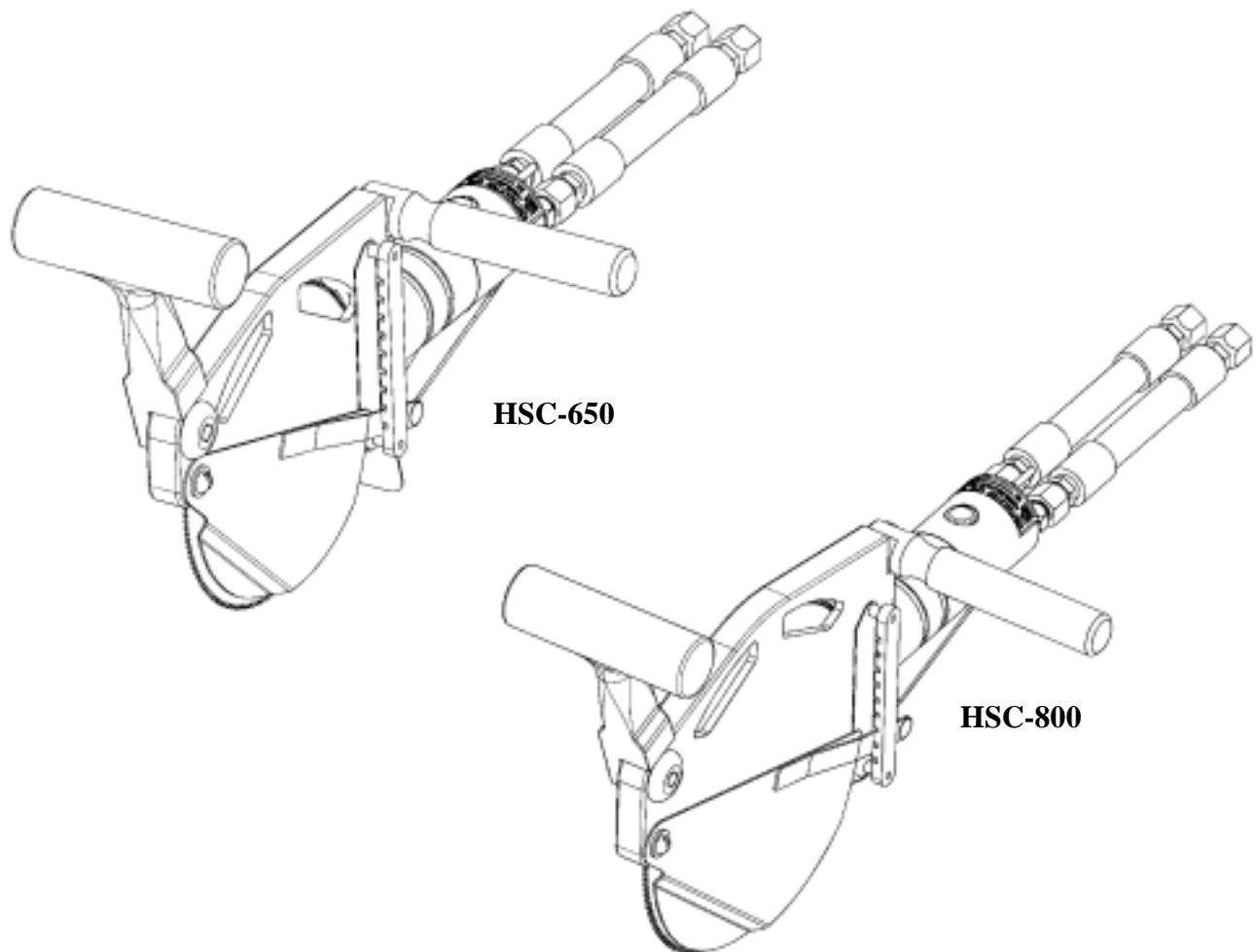
**IMPORTANT: READ THIS MANUAL CAREFULLY BEFORE INSTALLING, OPERATING OR  
SERVICING THIS TOOL.**

### **MULTI PURPOSE BONE SAW**

#### **TOOL DATA**

MODEL: HSC-650  
ASSEMBY NO. 6220100  
TYPE: HYDRAULICALLY / AIR OPERATED  
NET WEIGHT: 6.5 LB (3.0 KG)  
HYDRAULIC PRESSURE: 2400 P.S.I. MAX

MODEL: HSC-800  
ASSEMBLY NO. 6222000  
TYPE: HADRAULICALLY / AIR OPERATED  
NET WEIGHT: 8.8 LB (4.0 KG)  
HYDRAULIC PRESSURE: 2400 P.S.I. MAX





**WARNING**

= Hazards or unsafe practices which could result in severe personal injury, death or substantial property damage.



**CAUTION**

= Hazards or unsafe practices which could result in minor personal injury, product or property damage.



**NOTICE**

= Important installation, operation or maintenance information.

## **OPERATING AND SAFETY INSTRUCTIONS**



**WARNING**

DO NOT OPERATE THIS TOOL UNTIL YOU HAVE READ AND UNDERSTOOD THE SAFETY INSTRUCTIONS AND OPERATING MANUALS.



**WARNING**

DO NOT OPERATE THIS TOOL UNTIL YOU HAVE RECEIVED TRAINING IN THE HANDLING, OPERATION AND USE OF THIS TOOL.



**WARNING**

STOP USING A MALFUNCTIONING OR DEFECTIVE TOOL IMMEDIATELY. REPORT ANY PROBLEMS OR DEFECTS TO YOUR SUPERVISOR FOR REMOVAL OF THE TOOL FROM SERVICE.



**WARNING**

DO NOT ATTEMPT TO REPAIR THE TOOL YOURSELF.



**WARNING**

DO NOT ALLOW UNAUTHORIZED PERSONS TO USE TOOL.



**WARNING**

REMOVE AND DISCONNECT POWER FROM THE TOOL WHEN TOOL IS LEFT UNATTENDED OR IS NOT IN USE.



**WARNING**

NEVER TIE DOWN, BYPASS, ALTER OR MODIFY THE ACTIVATING SWITCHES OR TRIGGERS OF THIS TOOL.



**WARNING**

NEVER MAKE ALTERATIONS OR MODIFICATIONS TO THIS TOOL.



**WARNING**

BE CONSTANTLY AWARE AND ALERT FOR UNSAFE CONDITIONS AND REPORT THEM IMMEDIATELY TO YOUR SUPERVISOR.



**WARNING**

NEVER PLACE YOUR HAND OR ANY PART OF YOUR BODY IN THE CUTTING PATH OF THE TOOL.



**WARNING**

NEVER ALLOW ANYONE ELSE TO PLACE THEIR HANDS OR ANY PART OF THEIR BODY IN THE CUTTING PATH OF THE TOOL.



**WARNING**

DO NOT ACTIVATE CONTROL SWITCHES OR TRIGGERS OF THIS TOOL UNLESS YOU INTEND TO TEST OR OPERATE THIS TOOL.



**WARNING**

DO NOT USE THIS TOOL FOR ANY PURPOSE OTHER THAN IT'S INTENDED PURPOSE.



**CAUTION**

WHEN OPERATING THIS TOOL WEAR THE PROTECTIVE GEAR AND SAFETY EQUIPMENT SUPPLIED TO YOU.



**WARNING**

THE NOISE EMISSION (SOUND PRESSURE LEVEL) AT THE WORKSTATION MAY EXCEED 80 dB (A). EAR AND SOUND PROTECTION GEAR IS REQUIRED.

## OPERATING INSTRUCTIONS

**⚠ WARNING** ONLY TRAINED PERSONNEL ARE TO OPERATE THIS TOOL.

1. TO ENSURE TOOL IS OPERATING PROPERLY, PERFORM FOLLOWING STEPS AT START OF EACH SHIFT:
  - MAKE SURE TOOL MOVES UP AND DOWN FREELY WHILE HANGING FROM BALANCER OVERHEAD.
  - WITH POWER TO TOOL TURNED ON, TEST TRIGGER FOR PROPER OPERATION.
  - DEPRESS EACH TRIGGER SEPARATELY. TOOL SHOULD NOT ACTIVATE. DEPRESS BOTH TRIGGERS. TOOL SHOULD ACTIVATE.
  - IF TOOL HAS "ANTI-TIE DOWN" OPTION, BOTH TRIGGERS MUST BE DEPRESSED SIMULTANEOUSLY FOR TOOL TO ACTIVATE.
2. TO PERFORM WORK, HOLD TOOL FIRMLY AT BOTH HANDLES. SQUEEZE TRIGGERS TO ACTIVATE TOOL.
3. DO NOT EXERT EXCESSIVE PRESSURE. ALLOW TIME FOR THE TOOL TO CUT.
4. TOOL REQUIRES 40 S.C.F.M. OF AIR @ 90 P.S.I. AIR PRESSURE.

## MAINTENANCE

**⚠ WARNING** ONLY TRAINED AND QUALIFIED PERSONNEL ARE TO PERFORM MAINTENANCE AND SERVICE TO THIS TOOL.

1. FILL LUBRICATOR WITH KENTMASTER AIR MIST OIL (PART NO. 7903050). SET DRIP RATE ACCORDING TO INSTRUCTIONS SUPPLIED.
2. TOOL REQUIRES GREASING AFTER 40 HOURS OF OPERATION. GREASE USING KENTMASTER GREASE (PART NO. 7903070).

## BLADE REMOVAL AND CLEANING.

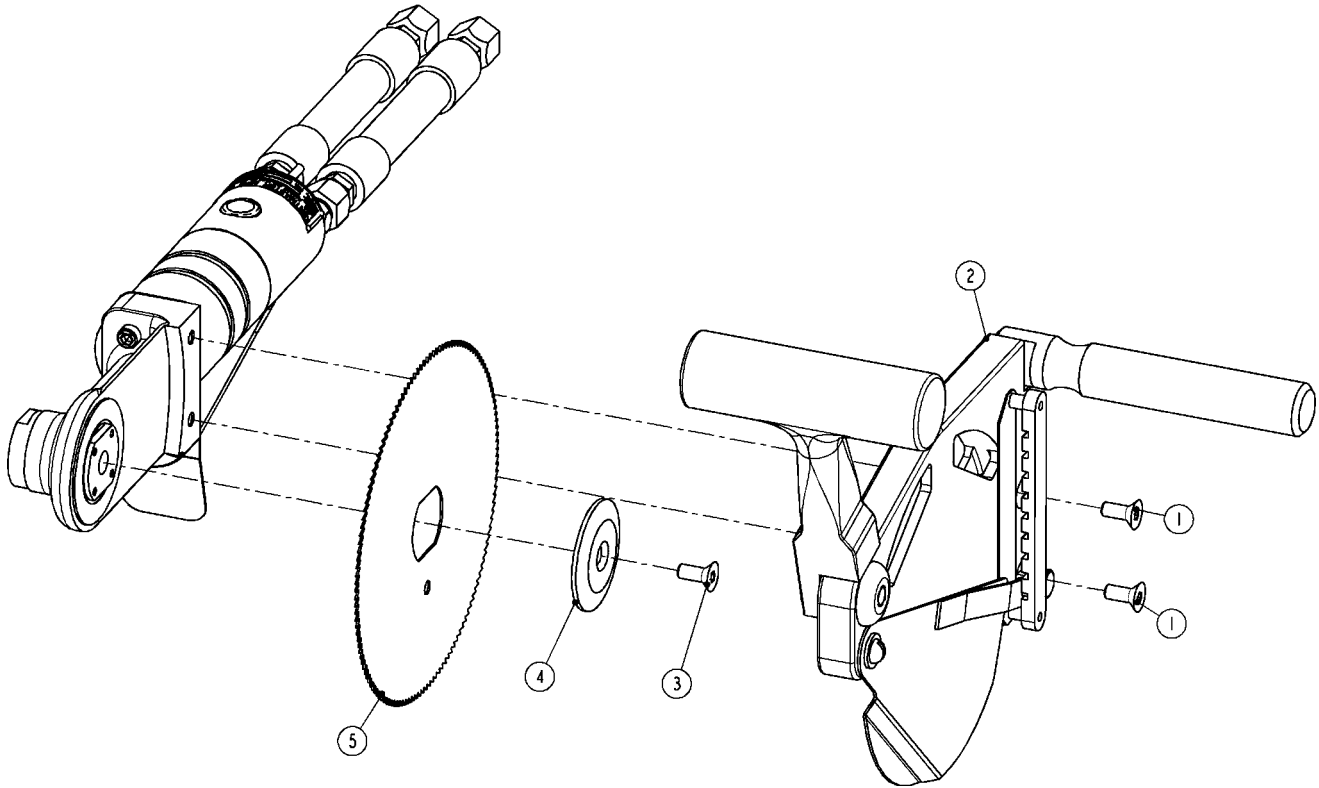
**⚠ WARNING** ALWAYS DISCONNECT POWER SUPPLY FROM TOOL BEFORE INSTALLING OR REMOVING BLADE FROM TOOL.

**⚠ WARNING** ALWAYS WEAR WIRE MESH GLOVES WHEN INSTALLING OR REMOVING BLADE FROM TOOL.

1. TO REMOVE BLADE, LOOSEN (2) SCREWS, FIGURE 1, ITEM 1 AND GUARD, ITEM 2.
2. REMOVE SCREW, ITEM 3, BLADE HOLDER, ITEM 4 AND BLADE, ITEM 5.
3. CLEAN ALL PARTS REMOVED WITH SOAP AND WATER.
4. SHARPEN OR REPLACE BLADE WHEN NECESSARY AND LUBRICATE ALL PARTS.
5. REASSEMBLE ALL PARTS IN REVERSE ORDER.

### AT END OF EACH SHIFT:

1. REMOVE SAW BLADE.
2. IF USING BLADE AGAIN, WASH BLADE WITH HOT WATER TO REMOVE FAT, MEAT AND BONE PARTICLES.
3. DRY AND APPLY A COAT OF MINERAL OIL TO ENTIRE SURFACE OF BLADE TO AVOID OXIDATION.



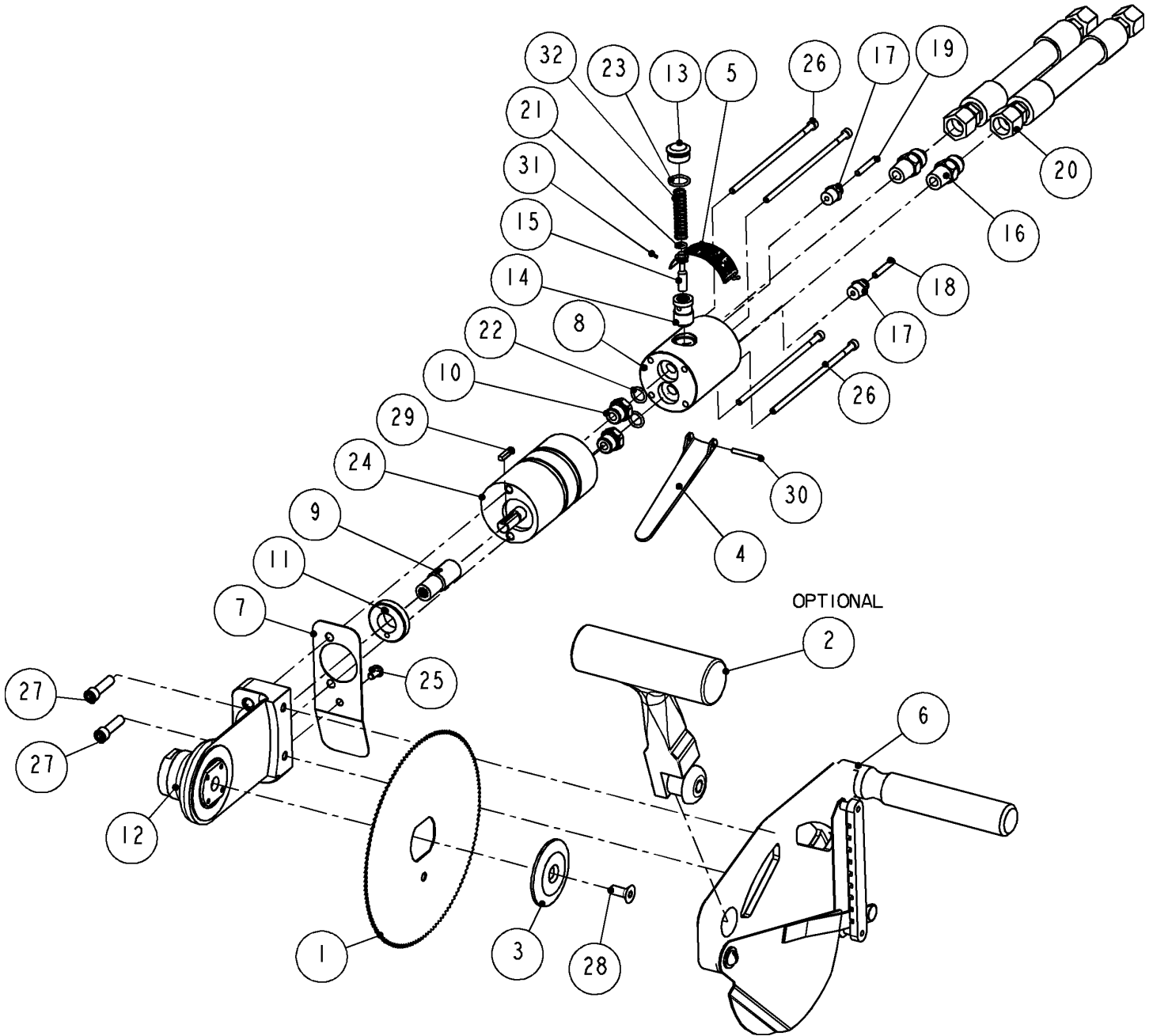
**Figure 1 HSC-**  
**SERVICE**

1. KEEP GOOD RECORDS OF ALL SERVICE ACTIVITY AND INCLUDE TOOL IN PREVENTIVE MAINTENANCE PROGRAM.
2. USE ONLY GENUINE KENTMASTER REPLACEMENT PARTS TO ASSURE PROPER PERFORMANCE OF TOOL.
3. CONTACT THE KENTMASTER SUPPLIER NEAREST YOU FOR PARTS AND CUSTOMER SERVICE INFORMATION.



**PARTS BOOK**

**MODEL HSC-650, MULTI PURPOSE BONE SAW**



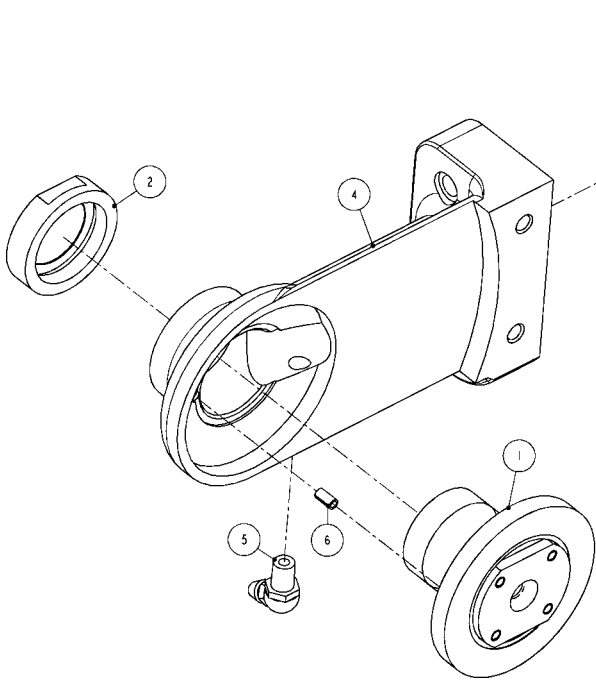
**Figure 2 MODEL HSC-650**

HSC-650, HSC-800

<b>6220100: HSC-650, MULTI PURPOSE BONE SAW</b>			
ITEM	PART #	DESCRIPTION	QTY
1	4000050	6.5" SAW BLADE, 140 TOOTH	1
	4000620	6.5" SAW BLADE, SKIP TOOTH, 70 TOOTH	1
2	6201640	FRONT HANDLE/ <b>OPTIONAL</b>	1
3	6201120	HOLDER, BLADE	1
4	6211670	LEVER	1
5	6211690	NAME PLATE	1
6	6220220	GUARD AND DEPTH GAUGE	1
7	6221100	GUARD	1
8	6221120	BODY, VALVE	1
9	6221130	COUPLING	1
10	6221140	FITTING	2
11	6221150	ALIGNMENT RING	1
12	6221160	GEAR HOUSING ASSEMBLY	1
13	6300770	VALVE PLUG	1
14	6600350	BUSHING	1
15	6600360	VALVE STEM	1
16	7012130	CONNECTOR	2
17	7036030	FITTING	2
18	7300710	RED AIR TUBE	1
19	7300720	GREEN AIR TUBE	1
20	7303670	HYDRAULIC HOSE	2
21	7680080	O-RING	1
22	7680120	O-RING	2
23	7680140	O-RING	1
24	7805060	HYDRAULIC MOTOR	1
25	8030030	SCREW	1
26	8208320	SCREW	4
27	8211080	SCREW	2
28	8241050	SCREW	1
29	8602050	KEY	1
30	8620080	PIN	1
31	8640030	DRIVE SCREW	4
32	8890010	SPRING	1

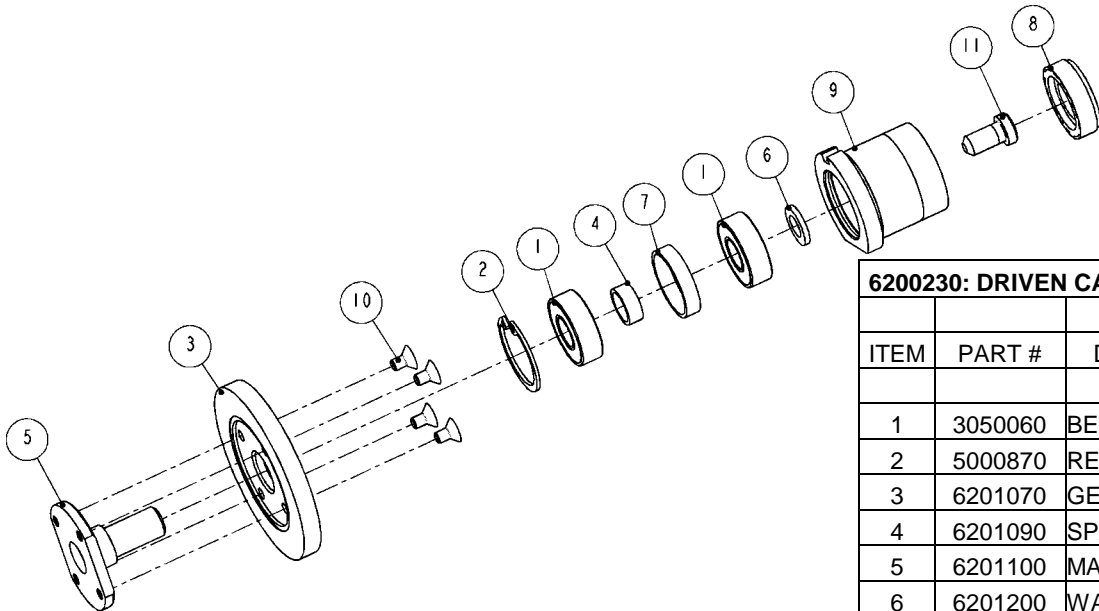
**Figure 3 BOM FOR MODELS HSC-650**

HSC-650, HSC-800  
**GEARS AND GEAR HOUSING ASSEMBLY**



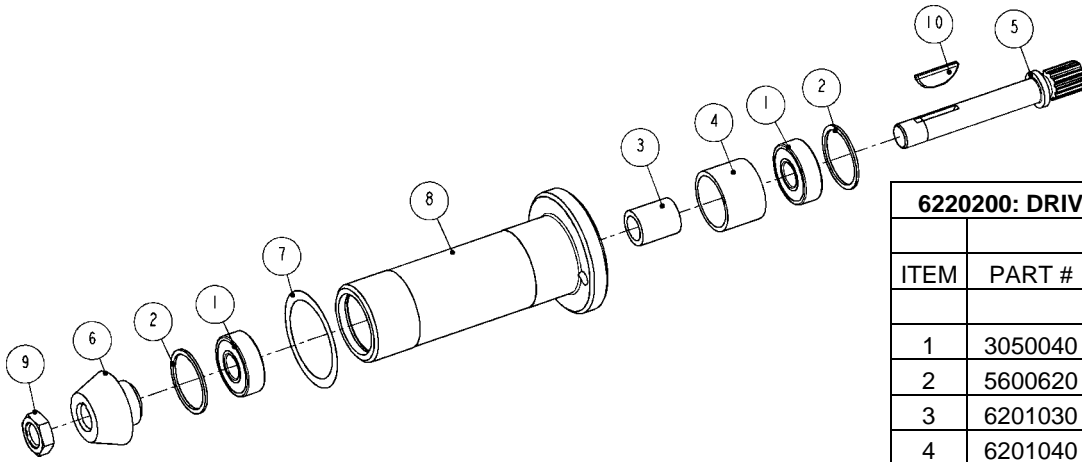
<b>6221160: GEAR HOUSING ASSEMBLY, HSC-650</b>			
ITEM	PART #	DESCRIPTION	QTY
1	6200230	DRIVEN CARTRIDGE ASSEMBLY	1
2	6201110	HOLDER, SLEEVE	1
3	6220200	DRIVE CARTRIDGE	1
4	6221110	HOUSING, GEAR	1
5	7014060	LUBE FITTING	1
6	8612050	ROLL PIN	1

**Figure 4 6221160: GEAR HOUSING ASSEMBLY, HSC-650**



<b>6200230: DRIVEN CARTRIDGE ASSEMBLY</b>			
ITEM	PART #	DESCRIPTION	QTY
1	3050060	BEARING	2
2	5000870	RETAINING RING	1
3	6201070	GEAR, BEVEL	1
4	6201090	SPACER	1
5	6201100	MANDREL, SAW	1
6	6201200	WASHER	1
7	6201220	SPACER	1
8	6201230	RETAINER NUT	1
9	6201240	SLEEVE	1
10	8236020	SCREW	4
11	8255460	SCREW	1

**Figure 5 6200230: DRIVEN CARTRIDGE ASSEMBLY**

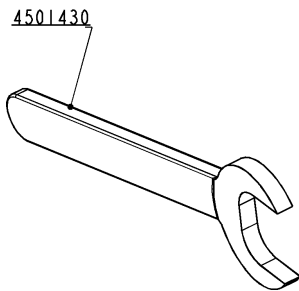
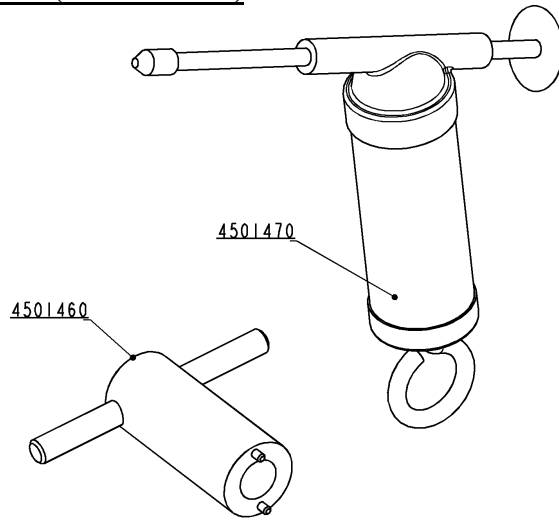


6220200: DRIVE CARTRIDGE, HSC-650			
ITEM	PART #	DESCRIPTION	QTY
1	3050040	BEARING	2
2	5600620	RETAINING RING	2
3	6201030	SPACER	1
4	6201040	SPACER	1
5	6201050	DRIVE SHAFT	1
6	6201060	PINION GEAR	1
7	6201210	SHIM WASHER	1
8	6221020	SLEEVE	1
9	8503120	NUT	1
10	8600420	KEY	1

**Figure 6 6220200: DRIVE CARTRIDGE ASSEMBLY, HSC-650**

**SPECIAL TOOLS (OPTIONAL)**

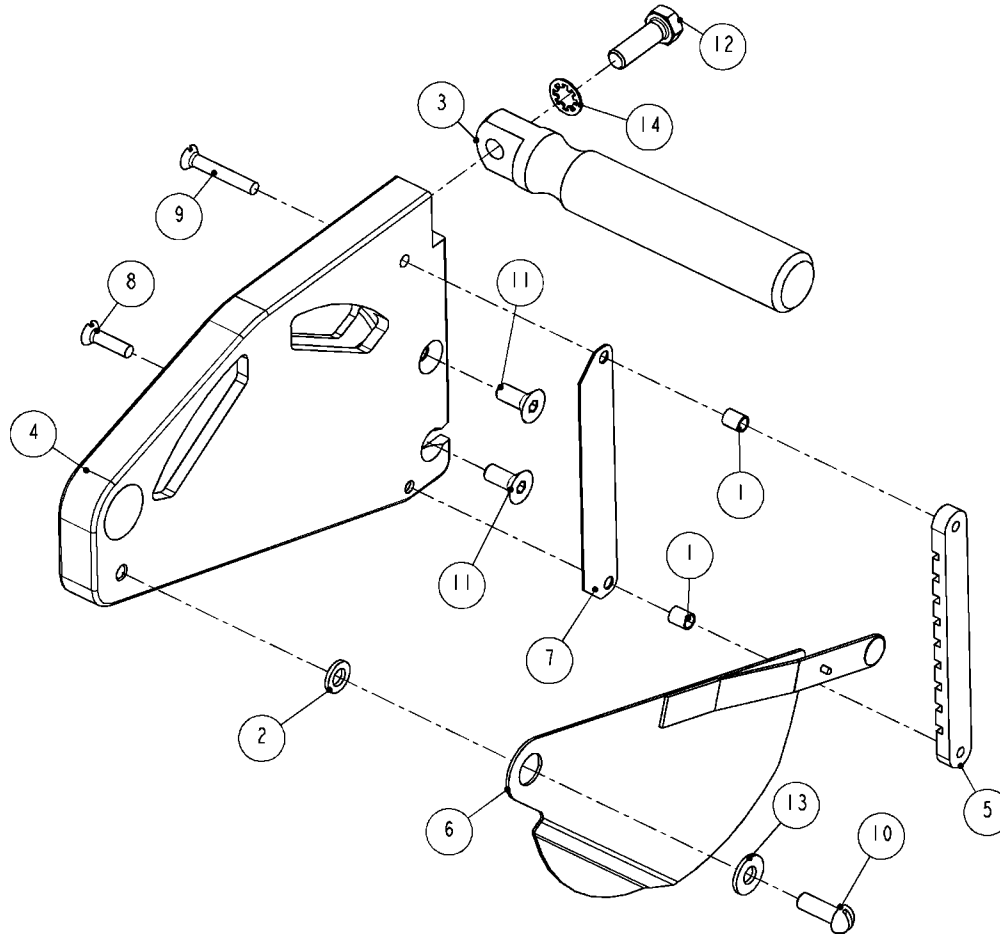
4501470	GREASE GUN
4501460	WRENCH, DRIVE SHAFT SLEEVE
4501430	WRENCH, LOCKNUT
ITEM	DESCRIPTION
SPECIAL TOOLS (OPTIONAL)	



**Figure 7 HSC-650, SPECIAL TOOLS (OPTIONAL)**



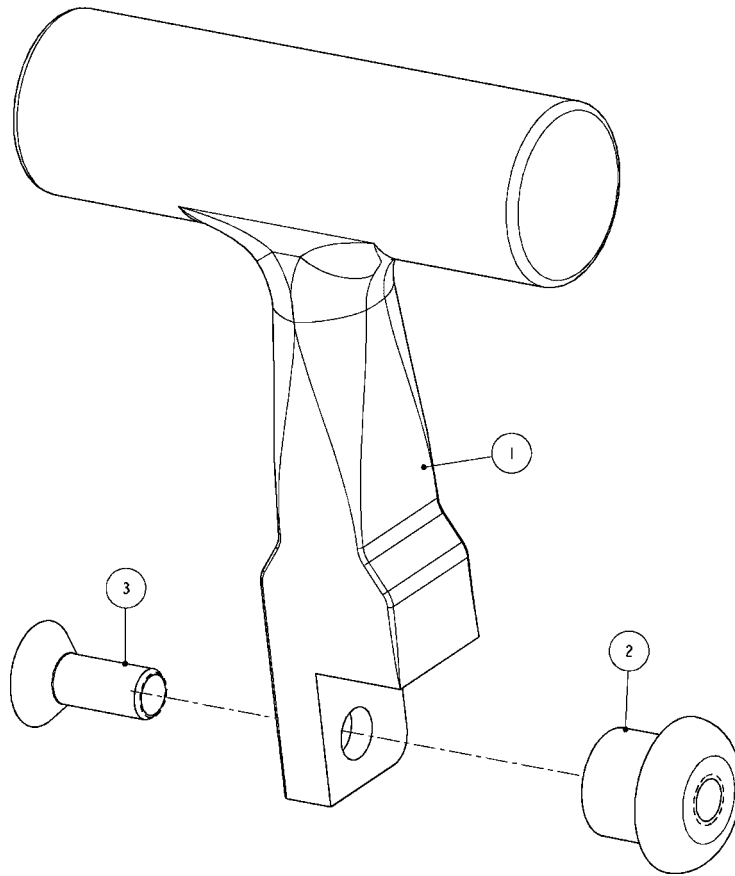
HSC-650, HSC-800  
**HSC-650, BLADE GUARD AND DEPTH GAUGE, 6.5"**



<b>6220220: GUARD AND DEPTH GAUGE, 6.5"</b>			
ITEM	PART #	DESCRIPTION	QTY
1	6201180	SPACER, BRIDGE	2
2	6201200	WASHER	1
3	6211030	HANDLE	1
4	6221030	GUARD	1
5	6221040	BRIDGE	1
6	6221050	DEPTH GAUGE, 6.5" BLADE	1
7	6221070	PLATE, FRICTION	1
8	8010060	SCREW	1
9	8010100	SCREW	1
10	8031060	SCREW	1
11	8241050	SCREW	2
12	8413080	SCREW	1
13	8505100	WASHER	1
14	8507150	WASHER	1

**Figure 8 6220220: GUARD AND DEPTH GAUGE, 6.5"**

HSC-650, HSC-800  
**FRONT HANDLE (OPTIONAL)**

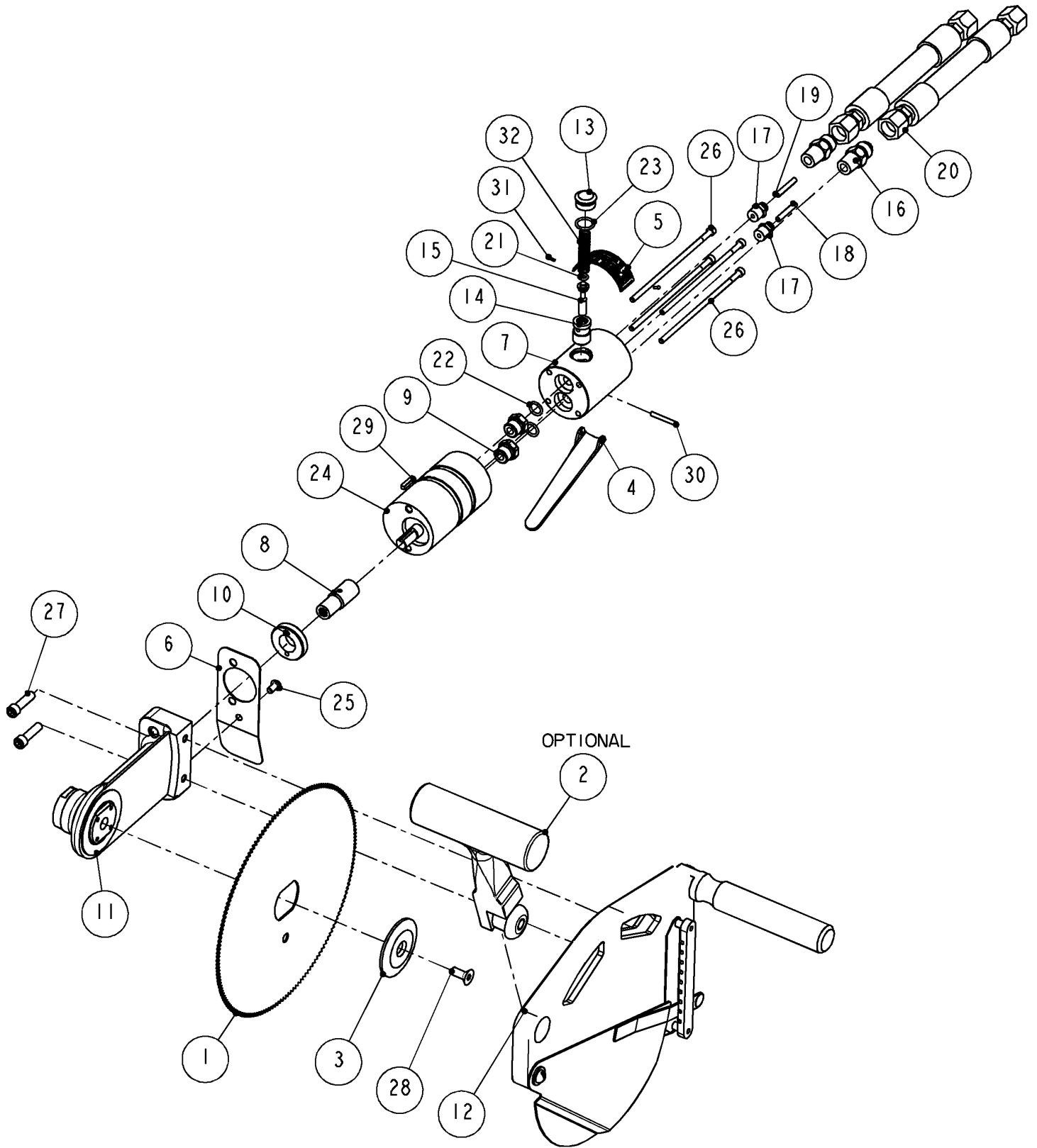


<b>6201640: FRONT HANDLE (OPTIONAL)</b>			
ITEM	PART #	DESCRIPTION	QTY
1	6201620	FRONT HANDLE	1
2	6201630	NUT	1
3	8245080	SCREW	1

**Figure 9 6201640: FRONT HANDLE (OPTIONAL)**

HSC-650, HSC-800

**MODEL HSC-800, MULTI PURPOSE BONE SAW**



**Figure 10 MODEL HSC-800**

**KENTMASTER MFG. CO., INC.** 1801 SOUTH MOUNTAIN AVE., MONROVIA, CALIFORNIA 91016 UNITED STATES OF AMERICA  
① TELEPHONE: (626) 359-8888 FAX: (626) 303-5151

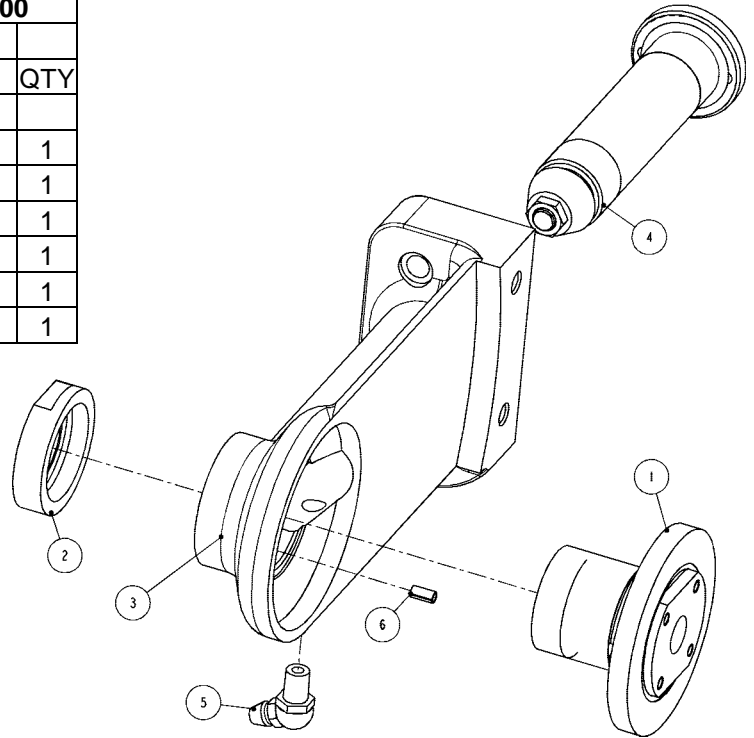
HSC-650, HSC-800

<b>6222000: HSC-800, MULTI PURPOSE BONE SAW</b>			
ITEM	PART #	DESCRIPTION	QTY
1	4000230	8" SAW BLADE, 150 TEETH, STANDARD	1
	4000140	8" SAW BLADE, 100 TEETH	1
	4000310	8" SAW BLADE, 74 TEETH, SKIP TOOTH	1
2	6201640	FRONT HANDLE / <b>OPTIONAL</b>	1
3	6201120	HOLDER, BLADE	1
4	6211670	LEVER	1
5	6211690	NAME PLATE	1
6	6221100	GUARD	1
7	6221120	BODY, VALVE	1
8	6221130	COUPLING	1
9	6221140	FITTING	2
10	6221150	ALIGNMENT RING	1
11	6222100	GEAR HOUSING ASSEMBLY	1
12	6222200	GUARD AND DEPTH GAUGE	1
13	6300770	VALVE PLUG	1
14	6600350	BUSHING	1
15	6600360	VALVE STEM	1
16	7012130	CONNECTOR	2
17	7036030	FITTING	2
18	7300710	RED AIR TUBE	1
19	7300720	GREEN AIR TUBE	1
20	7303670	HYDRAULIC HOSE	2
21	7680080	O-RING	1
22	7680120	O-RING	2
23	7680140	O-RING	1
24	7805060	HYDRAULIC MOTOR	1
25	8030030	SCREW	1
26	8208320	SCREW	4
27	8211080	SCREW	2
28	8241050	SCREW	1
29	8602050	KEY	1
30	8620080	PIN	1
31	8640030	DRIVE SCREW	4
32	8890010	SPRING	1

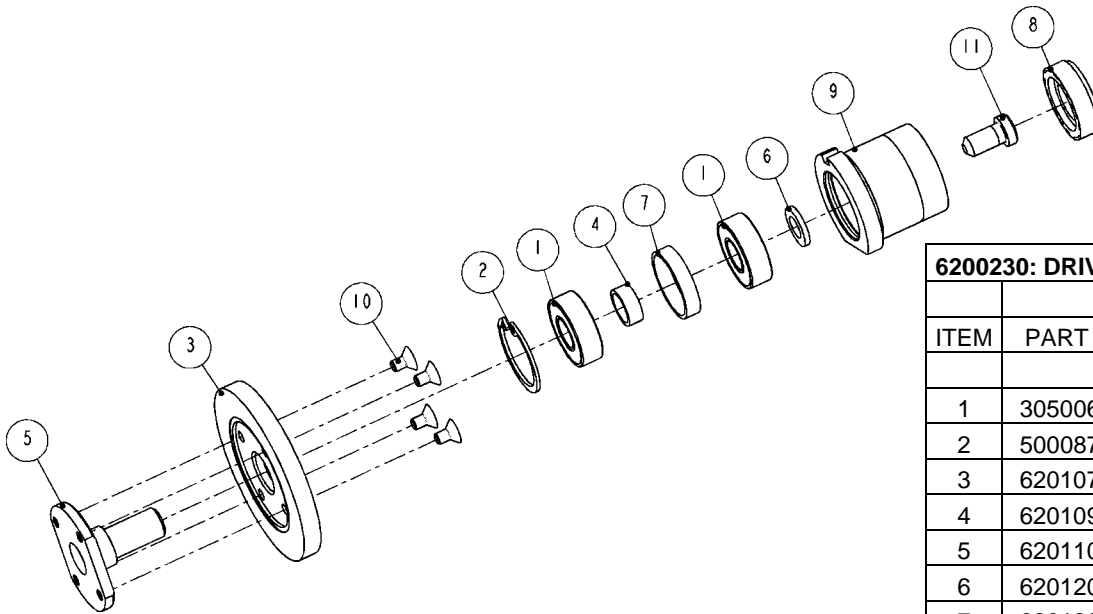
**Figure 11 BOM FOR MODEL HSC-800**

**GEARS AND GEAR HOUSING ASSEMBLY**

<b>6222100: GEAR HOUSING ASSEMBLY, HSC-800</b>			
ITEM	PART #	DESCRIPTION	QTY
1	6200230	DRIVEN CARTRIDGE ASSEMBLY	1
2	6201110	HOLDER, SLEEVE	1
3	6222110	HOUSING, GEAR	1
4	6222120	DRIVE CARTRIDGE	1
5	7014060	LUBE FITTING	1
6	8612050	ROLL PIN	1

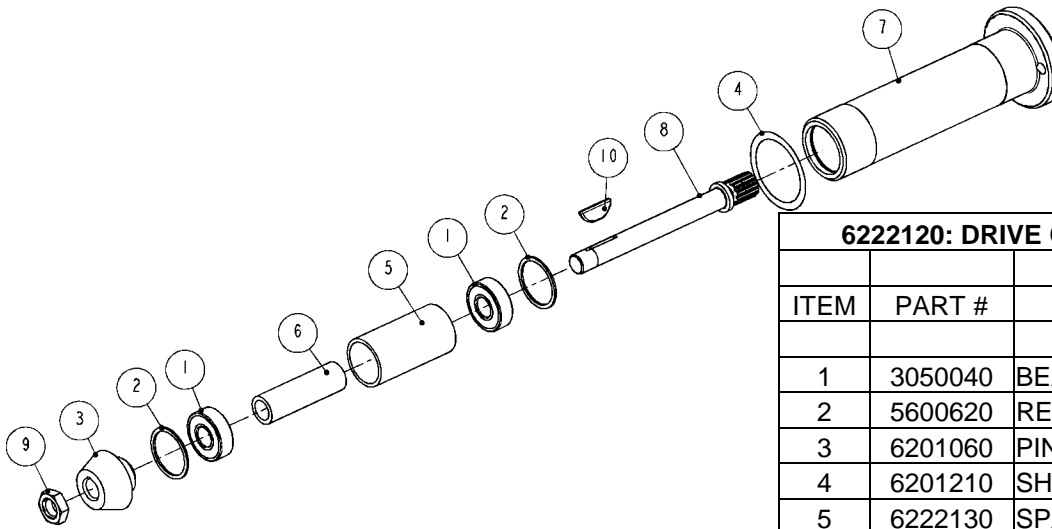


**Figure 12 6222100: GEAR HOUSING ASSEMBLY, HSC-800**



<b>6200230: DRIVEN CARTRIDGE ASSEMBLY</b>			
ITEM	PART #	DESCRIPTION	QTY
1	3050060	BEARING	2
2	5000870	RETAINING RING	1
3	6201070	GEAR, BEVEL	1
4	6201090	SPACER	1
5	6201100	MANDREL, SAW	1
6	6201200	WASHER	1
7	6201220	SPACER	1
8	6201230	RETAINER NUT	1
9	6201240	SLEEVE	1
10	8236020	SCREW	4
11	8255460	SCREW	1

**Figure 13 6200230: DRIVEN CARTRIDGE ASSEMBLY**

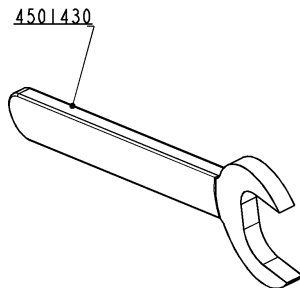
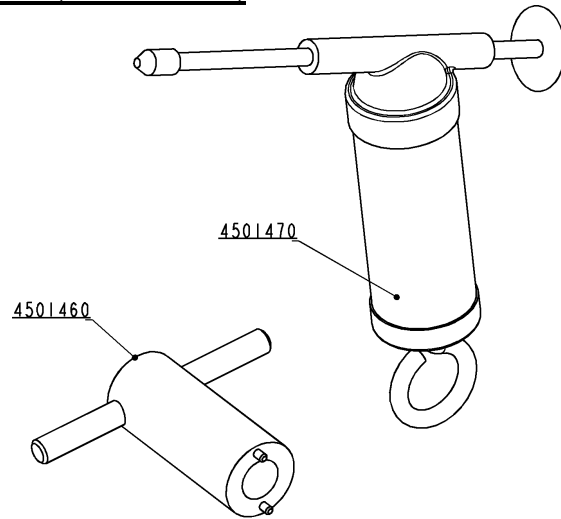


6222120: DRIVE CARTRIDGE, HSC-800			
ITEM	PART #	DESCRIPTION	QTY
1	3050040	BEARING	2
2	5600620	RETAINING RING	2
3	6201060	PINION GEAR	1
4	6201210	SHIM WASHER	1
5	6222130	SPACER	1
6	6222140	SPACER	1
7	6222150	SLEEVE	1
8	6222160	DRIVE SHAFT	1
9	8503120	NUT	1
10	8600420	KEY	1

**Figure 14 6222120: DRIVE CARTRIDGE ASSEMBLY, HSC-800**

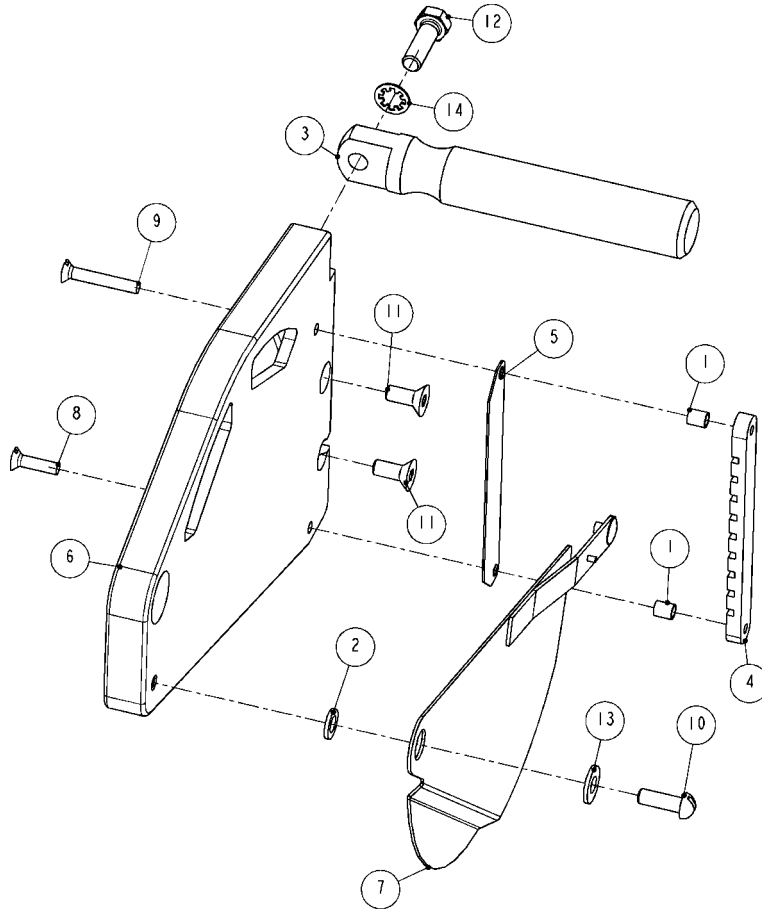
**SPECIAL TOOLS (OPTIONAL)**

4501470	GREASE GUN
4501460	WRENCH, DRIVE SHAFT SLEEVE
4501430	WRENCH, LOCKNUT
ITEM	DESCRIPTION
SPECIAL TOOLS (OPTIONAL)	



**Figure 15 HSC-800, SPECIAL TOOLS (OPTIONAL)**

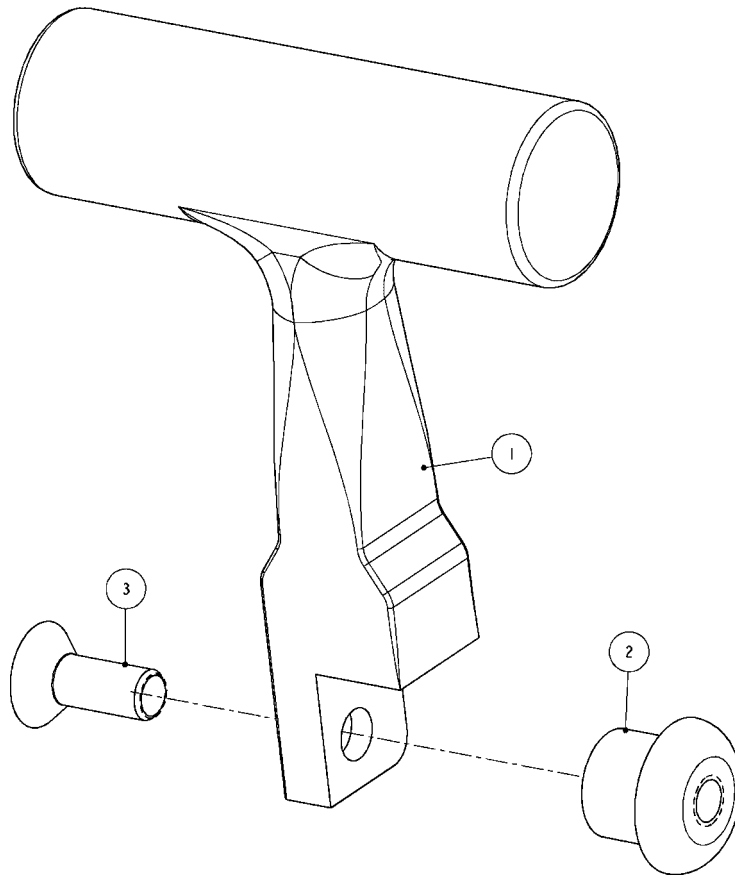
HSC-650, HSC-800  
**HSC-800, BLADE GUARD AND DEPTH GAUGE, 8.0"**



<b>622200: GUARD AND DEPTH GAUGE, 8.0"</b>			
ITEM	PART #	DESCRIPTION	QTY
1	6201180	SPACER, BRIDGE	2
2	6201200	WASHER	1
3	6211030	HANDLE	1
4	6221040	BRIDGE	1
5	6221070	PLATE, FRICTION	1
6	6222210	GUARD	1
7	6222220	DEPTH GAUGE, 6.5" BLADE	1
8	8010060	SCREW	1
9	8010100	SCREW	1
10	8031060	SCREW	1
11	8241050	SCREW	2
12	8413080	SCREW	1
13	8505100	WASHER	1
14	8507150	WASHER	1

**Figure 16 622200: GUARD AND DEPTH GAUGE, 8.0"**

**FRONT HANDLE (OPTIONAL)**

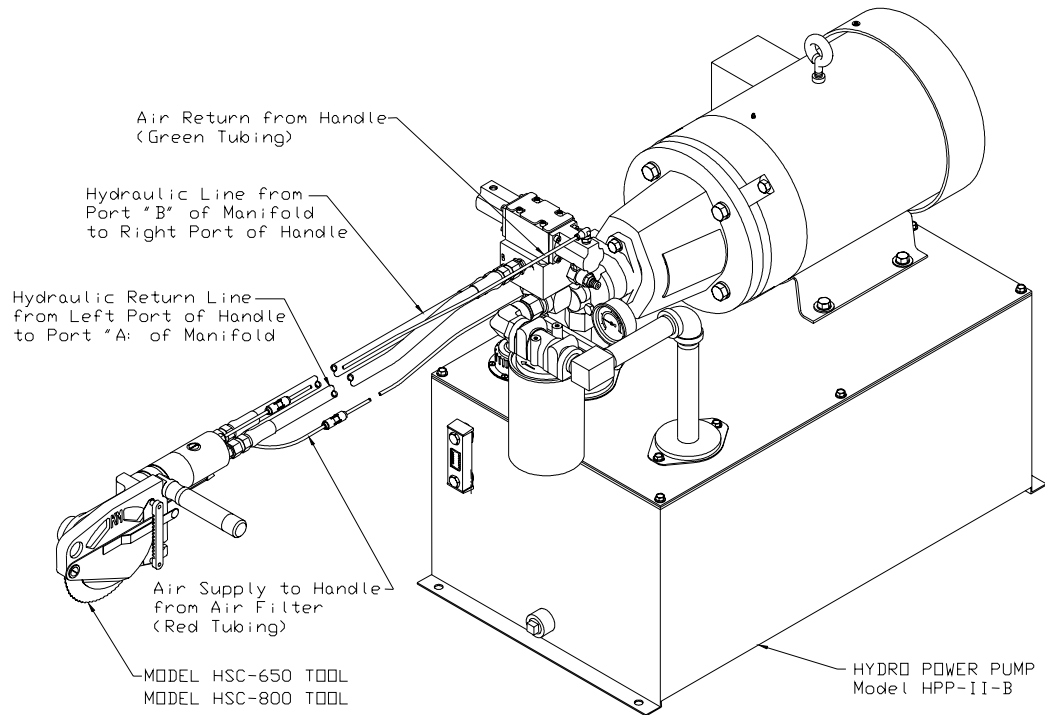


<b>6201640: FRONT HANDLE (OPTIONAL)</b>			
ITEM	PART #	DESCRIPTION	QTY
1	6201620	FRONT HANDLE	1
2	6201630	NUT	1
3	8245080	SCREW	1

**Figure 17 6201640: FRONT HANDLE (OPTIONAL)**



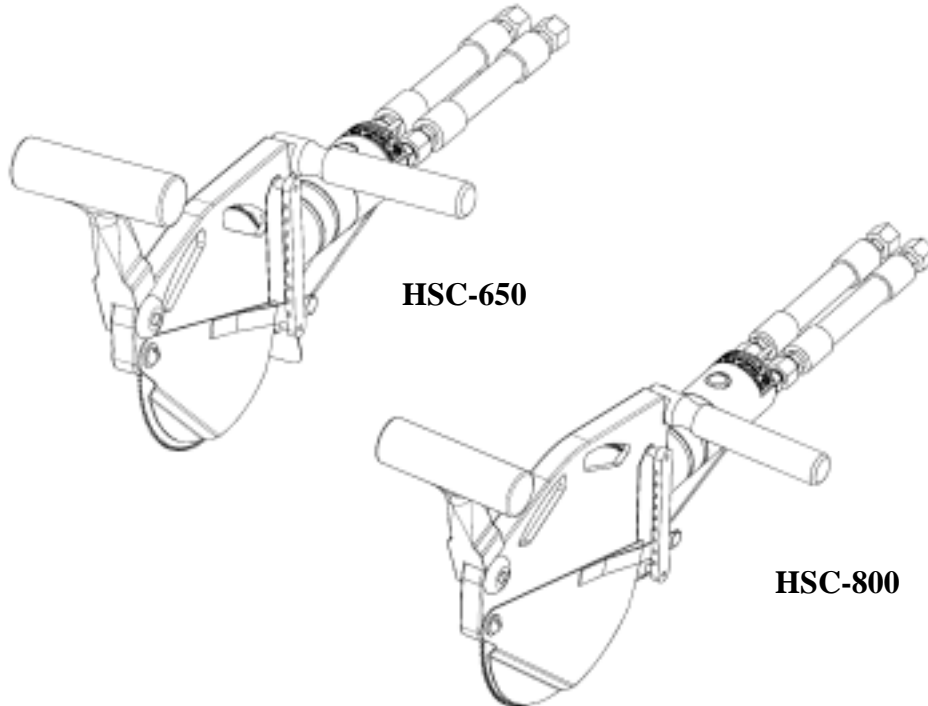
**HSC- TUBING DIAGRAM AND POWER SUPPLY**



**Figure 18 HSC- TUBING DIAGRAM AND POWER SUPPLY**

[ENGLISH]

## **GENERAL INFORMATION**



### **MODELS**

**HSC-650 MULTI PURPOSE BONE SAW (6220100)**  
**HSC-800 MULTI PURPOSE BONE SAW (6222000)**

### **SERVICE CENTERS**

**KENTMASTER LTD. (U.K)**  
16 AVONBANK INDUSTRIAL CENTRE  
WEST TOWN ROAD  
AVONMOUTH - BRISTOL BS11 9DE  
UNITED KINGDOM

☎ TELEPHONE: ++ 44- (0) 117- 9235035  
FAX: ++ 44- (0) 117- 9829010

**KENTMASTER MFG. CO., INC.**  
1801 SOUTH MOUNTAIN AVE.  
MONROVIA, CALIFORNIA 91016  
UNITED STATES OF AMERICA

☎ TELEPHONE: (626) 359-8888  
FAX: (626) 303-5151

**NOTICE TO EMPLOYER AND PURCHASER OF TOOL**  
**NOTICE TO SAFETY DIRECTOR**

**You have purchased a powerful tool that, if misused, can cause severe injury and harm to your employees. You must instruct your employees in the safe and proper use of this tool and to follow the safety procedures and instructions that have been supplied by the manufacturer of this tool. Please follow the following instructions.**



1. Instruct tool operators to test the tool each day before using it to be sure it does not malfunction. Remove and repair any tool that malfunctions.
2. Instruct tool operators to immediately stop using a tool that malfunctions or is defective.
3. Instruct personnel to immediately remove all tools that malfunction. Be sure to disconnect tool from power supply.
4. Instruct all personnel to stay clear of tool, and not to stand or walk in front of, or next to tool when in use.
5. Point out to all personnel the dangers related to the misuse of tool and the importance of following safety procedures and instructions.
6. Do not make, or allow others to make, alterations or modifications to this tool. Replace all lost or illegible labels.
7. Follow all safety, installation and maintenance instructions provided with this tool. Establish proper safety procedures in accordance with local and national requirements to prevent accidental energizing of tool that can cause injuries.
8. If this tool is sold or change in ownership takes place, you must provide the new owner all safety instructions, notices and maintenance instructions you were originally provided. You can obtain additional copies of the instructions from Kentmaster, free of charge upon request.
9. Give copies of instructions to: **(A) Tool Operators**  
**(B) Maintenance Supervisor**  
**(C) Clean-up Supervisor**

**DECLARATION OF CONFORMITY**

**DECLARATION OF CONFORMITY**

DECLARATION DE CONFORMITE -DECLARACION DE CONFORMIDAD- ERKLARUNG BEZUGLICH EINHALTUNG DER VORSCHRIFTEN  
DICHIARAZIONE DI CONFORMITA . CONFORMITEITSVERKLARING

**MANUFACTURED BY:**

FABRIQUE PAR:  
FABRICADA POR:  
HERGESTELLTVON:  
FABBRICATO DA:  
VERVAARDIGD DOOR:

**KENTMASTER MFG CO., INC.  
1801 SOUTH MOUNTAIN AVE.  
MONROVIA, CALIFORNIA 91016  
UNITED STATES OF AMERICA  
TELEPHONE (626) 359-8888 FAX (626) 303-5151**

**TYPE / SERIES: MULTI PURPOSE BONE SAW**

TYPE / SERIE:  
TIPO / SERIE:  
TYP / SERIE:  
TIPO / SERIE:  
TYPE / SERIE:

**MODEL: HSC-650, HSC-800**

MODELE:  
MODELO:  
MODELL:  
MODELLO:  
MODEL:

**SERIAL NO. RANGE: XXXXX**

N SERIE: • GAMA DE No. DE SERIE: • SERIEN-NR.-BEREICH: • NUMERI DI SERIE: • SERIENUMMERS:

**This product complies with the following European Community Directives:**

Ce produit est conforme aux directives de la Communauté europeenne suivantes:  
Este producto cumple con las siguientes Directrices de la Comunidad Europea:  
Dieses Produkt erfüllt die folgenden Vorschriften der Europäischen Gemeinschaft:  
Questo prodotto e conforme alle seguenti direttive CEE:  
Dit produkt voldoet aan de volgende EG-richtlijnen:

**89/392/EEC, 91/368/EEC, 93/44/EEC, 93/68/EEC**

**The following Standards were used to verify compliance with the Directives:**

Les normes suivantes ont ete utilisees pour verifier la conformite avec les Directives:  
Las siguientes Normas se usaron para verificar el cumplimiento de las Directrices:  
Folgende Normen wurden angewandt, um erfllung der vorschriften zu bestatigen:  
Per verificare la conformita del prodotto alle direttive sono stati usati i seguenti standard:  
De volgende normen zijn gebruikt om naleving van de richtlijnen te bevestigen:

**EN 292**

**Approved by:** \_\_\_\_\_

**Date:** AUG - 1 - 1995

RALPH KARUBIAN MONROVIA, CA. U.S.A  
(Engineering Manager) (Directeur technique) (gerente de ingenieria) (verantwortlicher Konstruktionsleiter) (Responsabile tecnico) (ondersteunend technisch mangan)

## Kentmaster Worldwide Location

Kentmaster Equipment (Aust) PTY.LTD.

Unit 2,24 Central Court  
Browns Plains Qld. 4118  
Australia

Telephone: (07) 3806-8400

Fax: (07) 3806-7933

[Australia@Kentmaster.com](mailto:Australia@Kentmaster.com)

---

Kentmaster do Brasil, Ltda.

Av. Dr. Joao Teodoro No. 805  
Bairro De Vila Rezende  
13405-240 Piracicaba, SP,  
Brazil

Telephone #1: (019) 3 413 3113

Telephone #2: (019)983-4973

Fax: (019) 3 413 3113

[Brazil@Kentmaster.com](mailto:Brazil@Kentmaster.com)

---

Kentmaster (IRL) LTD.

Benamore, Dublin Road.  
Roscrea,  
CO, Tipperary,  
Ireland

Telephone: (353) 0505-23292

Fax: (353) 0505-23299

[Ireland@Kentmaster.com](mailto:Ireland@Kentmaster.com)

---

Kentmaster Equipment (NZ) LTD.

5 Cooper Street  
Havelock North  
New Zealand

Telephone #1: (64) 6 8777 857

Telephone #2: 0800 KENTMASTER

Fax: (64) 6 8777 858

[NewZealand@Kentmaster.com](mailto:NewZealand@Kentmaster.com)

---

Kentmaster South Africa (PTY) LTD.

Johannesburg - S. Africa  
Unit 54 Sunnyrock Park  
Sunrock Close, Germiston  
South Africa

Telephone: (27) 11-455-3748

Fax: (27) 11-455-3749

[SouthAfrica@Kentmaster.com](mailto:SouthAfrica@Kentmaster.com)

---

Kentmaster (UK ) LTD.

Unit 16 Avonbank Ind. Centre  
West Town Rd, Avonmouth-Bristol,  
BS11 9DE  
England

Telephone: (44) 117-923-5035

Fax: (44)-117-932-9010

[UK@Kentmaster.com](mailto:UK@Kentmaster.com)

---

Kentmaster Mfg. Co., Inc.  
1801 South Mountain Ave.  
Monrovia, CA, 91016  
USA

Telephone #1: (626) 359-8888

Telephone #2: (800) 421-1477

Fax: (626) 303-5151

[info@Kentmaster.com](mailto:info@Kentmaster.com)

---

Kentmaster Omaha  
4417 South 139th Street  
Omaha, NE, 68137  
USA

Telephone #1: (402) 896-3355

Telephone #2: (800) 367-3181

Fax: (402) 896-3311

[Omaha@Kentmaster.com](mailto:Omaha@Kentmaster.com)

---

**INDEX**

**OPERATING AND SAFETY INSTRUCTIONS** ..... 2

**OPERATING INSTRUCTIONS** ..... 3

**MAINTENANCE** ..... 3

**SERVICE** ..... 4

**PARTS BOOK** ..... 4

**MODEL HSC-650, MULTI PURPOSE BONE SAW** ..... 5

**GEARS AND GEAR HOUSING ASSEMBLY** ..... 7

**SPECIAL TOOLS (OPTIONAL)** ..... 8

**HSC-650, BLADE GUARD AND DEPTH GAUGE, 6.5"** ..... 9

**FRONT HANDLE (OPTIONAL)** ..... 10

**MODEL HSC-800, MULTI PURPOSE BONE SAW** ..... 11

**GEARS AND GEAR HOUSING ASSEMBLY** ..... 13

**SPECIAL TOOLS (OPTIONAL)** ..... 14

**HSC-800, BLADE GUARD AND DEPTH GAUGE, 8.0"** ..... 15

**HSC- TUBING DIAGRAM AND POWER SUPPLY** ..... 17

**DECLARATION OF CONFORMITY** ..... 20

**Kentmaster Worldwide Location** ..... 21

**INDEX** ..... 22

**FIGURES - INDEX** ..... 22

**FIGURES - INDEX**

Figure 1 HSC- ..... 4

Figure 2 MODEL HSC-650 ..... 5

Figure 3 BOM FOR MODELS HSC-650 ..... 6

Figure 4 6221160: GEAR HOUSING ASSEMBLY, HSC-650 ..... 7

Figure 5 6200230: DRIVEN CARTRIDGE ASSEMBLY ..... 7

Figure 6 6220200: DRIVE CARTRIDGE ASSEMBLY, HSC-650 ..... 8

Figure 7 HSC-650, SPECIAL TOOLS (OPTIONAL) ..... 8

Figure 8 6220220: GUARD AND DEPTH GAUGE, 6.5" ..... 9

Figure 9 6201640: FRONT HANDLE (OPTIONAL) ..... 10

Figure 10 MODEL HSC-800 ..... 11

Figure 11 BOM FOR MODEL HSC-800 ..... 12

Figure 12 6222100: GEAR HOUSING ASSEMBLY, HSC-800 ..... 13

Figure 13 6200230: DRIVEN CARTRIDGE ASSEMBLY ..... 13

Figure 14 6222120: DRIVE CARTRIDGE ASSEMBLY, HSC-800 ..... 14

Figure 15 HSC-800, SPECIAL TOOLS (OPTIONAL) ..... 14

Figure 16 6222200: GUARD AND DEPTH GAUGE, 8.0" ..... 15

Figure 17 6201640: FRONT HANDLE (OPTIONAL) ..... 16

Figure 18 HSC- TUBING DIAGRAM AND POWER SUPPLY ..... 17