

OPERATOR'S MANUAL

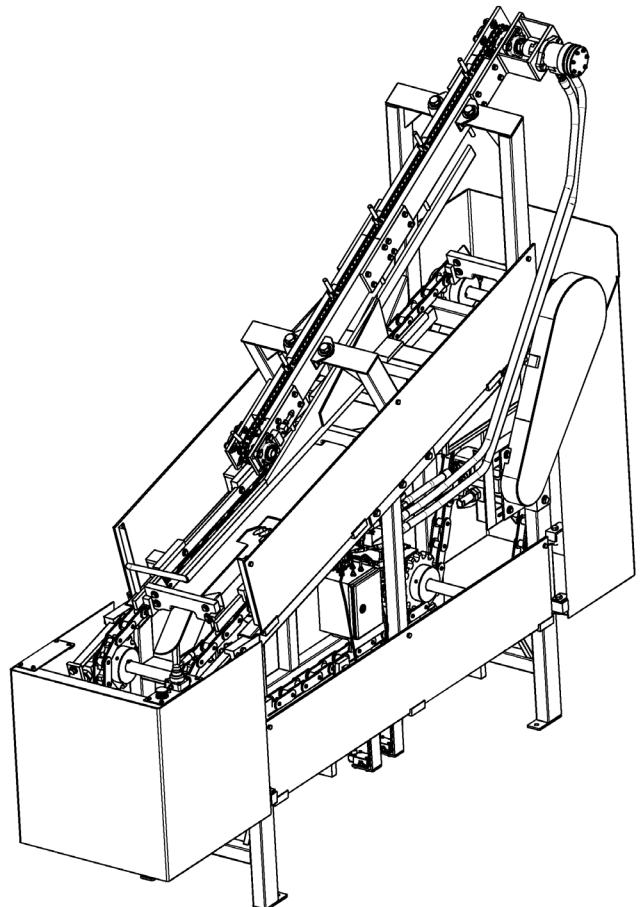
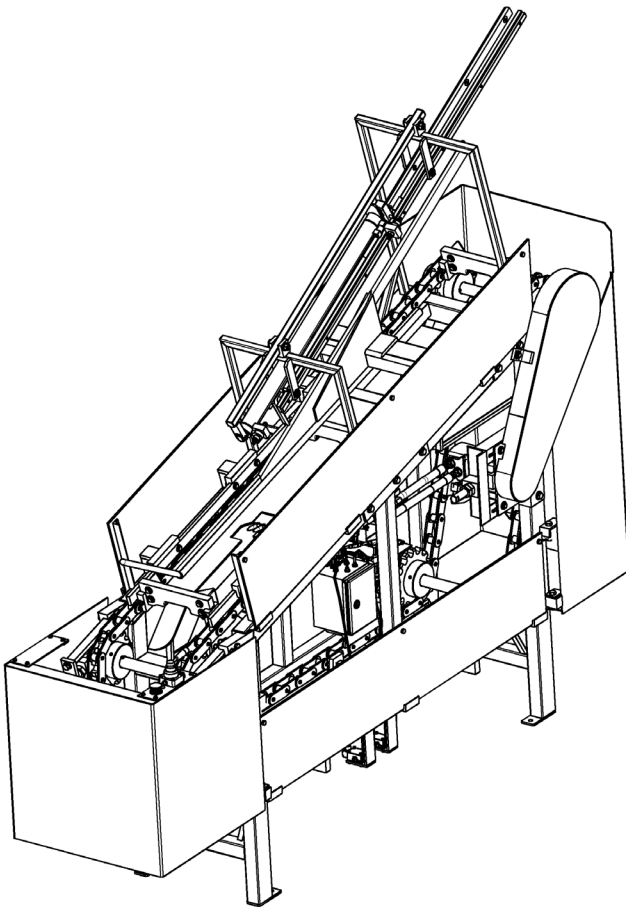
INCLUDING: OPERATION, INSTRUCTION, INSTALLATION, MAINTENANCE AND PARTSBOOK




IMPORTANT: READ THIS MANUAL CAREFULLY BEFORE INSTALLING, OPERATING OR SERVICING THIS TOOL.

PORK JAW BONE TABLE
















TOOL DATA

MODEL: JBT
ASSEMBLY No: 6650000
TYPE: AIR/HYDRAULIC OPERATED
NET WEIGHT: 1300 LBS
HYDRAULIC PRESSURE: 1500 P.S.I.
INLET AIR PRESSURE: 90 P.S.I. (6-7 BARS)



 WARNING	= Hazards or unsafe practices which could result in severe personal injury, death or substantial property damage.
 CAUTION	= Hazards or unsafe practices which could result in minor personal injury, product or property damage.
 NOTICE	= Important installation, operation or maintenance information.

OPERATING AND SAFETY INSTRUCTIONS

-  **WARNING** DO NOT OPERATE THIS TOOL UNTIL YOU HAVE READ AND UNDERSTOOD THE SAFETY INSTRUCTIONS AND OPERATING MANUALS.
-  **WARNING** DO NOT OPERATE THIS TOOL UNTIL YOU HAVE RECEIVED TRAINING IN THE HANDLING, OPERATION AND USE OF THIS TOOL.
-  **WARNING** STOP USING A MALFUNCTIONING OR DEFECTIVE TOOL IMMEDIATELY. REPORT ANY PROBLEMS OR DEFECTS TO YOUR SUPERVISOR FOR REMOVAL OF THE TOOL FROM SERVICE.
-  **WARNING** DO NOT ATTEMPT TO REPAIR THE TOOL YOURSELF.
-  **WARNING** DO NOT ALLOW UNAUTHORIZED PERSONS TO USE TOOL.
-  **WARNING** REMOVE AND DISCONNECT POWER FROM THE TOOL WHEN TOOL IS LEFT UNATTENDED OR IS NOT IN USE.
-  **WARNING** NEVER TIE DOWN, BYPASS, ALTER OR MODIFY THE ACTIVATING SWITCHES OR TRIGGERS OF THIS TOOL.
-  **WARNING** NEVER MAKE ALTERATIONS OR MODIFICATIONS TO THIS TOOL.
-  **WARNING** BE CONSTANTLY AWARE AND ALERT FOR UNSAFE CONDITIONS AND REPORT THEM IMMEDIATELY TO YOUR SUPERVISOR.
-  **WARNING** NEVER PLACE YOUR HAND OR ANY PART OF YOUR BODY IN THE CUTTING PATH OF THE TOOL.
-  **WARNING** NEVER ALLOW ANYONE ELSE TO PLACE THEIR HANDS OR ANY PART OF THEIR BODY IN THE CUTTING PATH OF THE TOOL.
-  **WARNING** DO NOT ACTIVATE CONTROL SWITCHES OR TRIGGERS OF THIS TOOL UNLESS YOU INTEND TO TEST OR OPERATE THIS TOOL.
-  **WARNING** DO NOT USE THIS TOOL FOR ANY PURPOSE OTHER THAN IT'S INTENDED PURPOSE.
-  **CAUTION** WHEN OPERATING THIS TOOL WEAR THE PROTECTIVE GEAR AND SAFETY EQUIPMENT SUPPLIED TO YOU.
-  **WARNING** THE NOISE EMISSION (SOUND PRESSURE LEVEL) AT THE WORKSTATION MAY EXCEED 80 dB (A). EAR AND SOUND PROTECTION GEAR IS REQUIRED.

OPERATING INSTRUCTIONS

⚠ WARNING ONLY TRAINED PERSONNEL ARE TO OPERATE THIS TOOL.

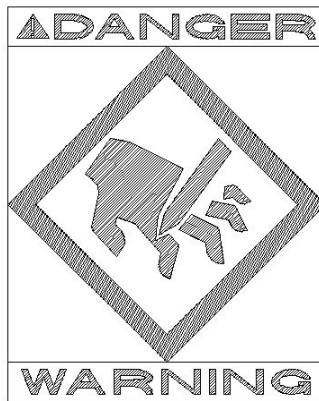
MAINTENANCE

⚠ WARNING ONLY TRAINED AND QUALIFIED PERSONNEL ARE TO PERFORM MAINTENANCE AND SERVICE TO THIS TOOL.

1. MAKE ALL NECESSARY LINE CONNECTIONS TO THE TOOL.
2. AN AIR FILTER-REGULATOR-LUBRICATOR (PART NO. 7200030) MUST BE INSTALLED IN AIR SUPPLY FOR EACH TOOL.
3. FILL LUBRICATOR WITH KENTMASTER AIR MIST OIL (PART NO. 7903050). SET DRIP RATE ACCORDING TO INSTRUCTIONS SUPPLIED. TURN ADJUSTMENT ON SIGHT FEED DOME TO INCREASE/DECREASE OIL DELIVERY. MONITOR THE DEVICE BEING LUBRICATED AND READJUST IF NEEDED.
4. TOOL REQUIRES 90 P.S.I. AIR PRESSURE.

SERVICE

1. KEEP GOOD RECORDS OF ALL SERVICE ACTIVITY AND INCLUDE TOOL IN PREVENTIVE MAINTENANCE PROGRAM.
2. USE ONLY GENUINE KENTMASTER REPLACEMENT PARTS TO ASSURE PROPER PERFORMANCE OF TOOL.
3. CONTACT THE KENTMASTER SUPPLIER NEAREST YOU FOR PARTS AND CUSTOMER SERVICE INFORMATION.



PARTS BOOK

JBT

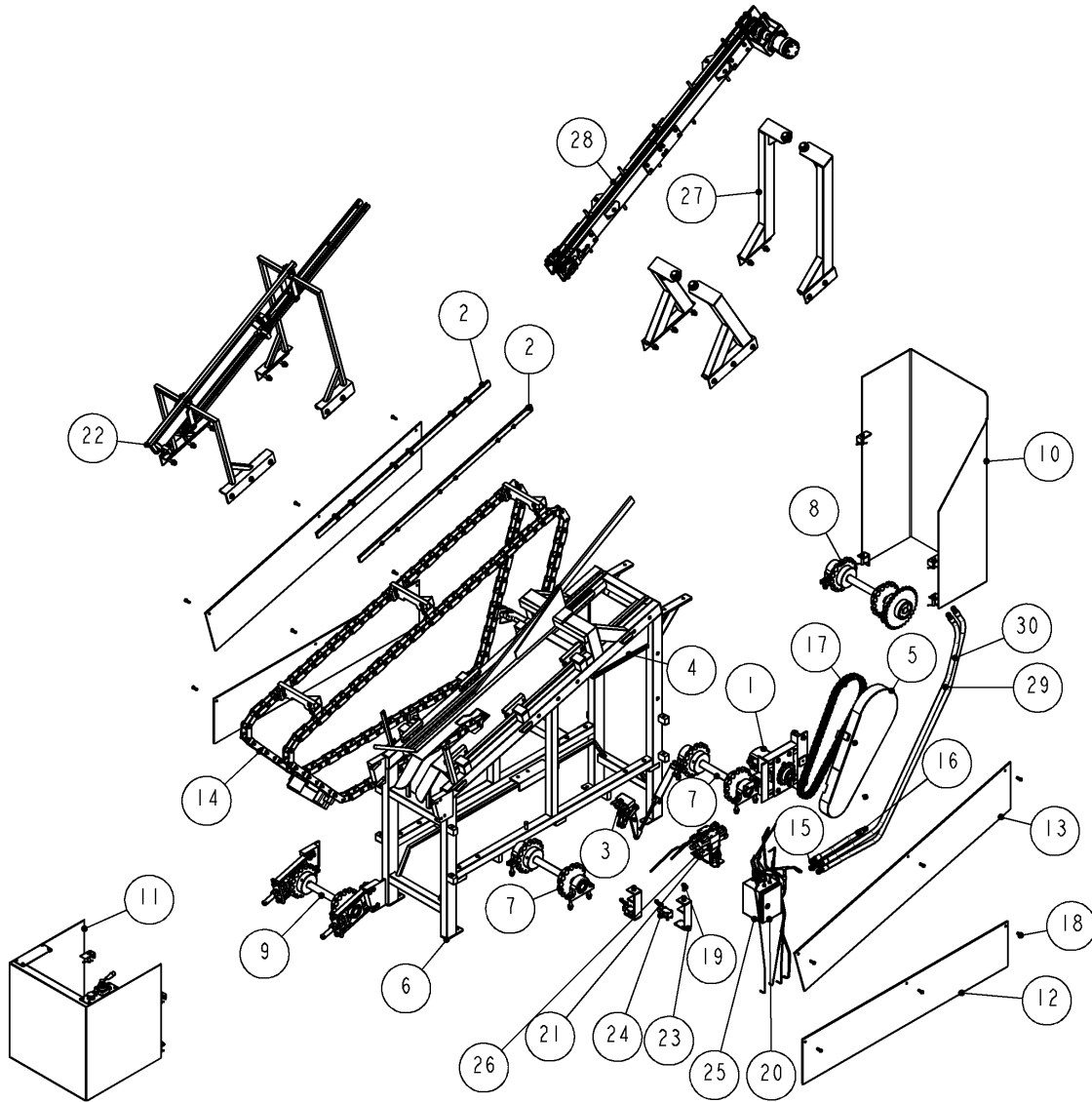
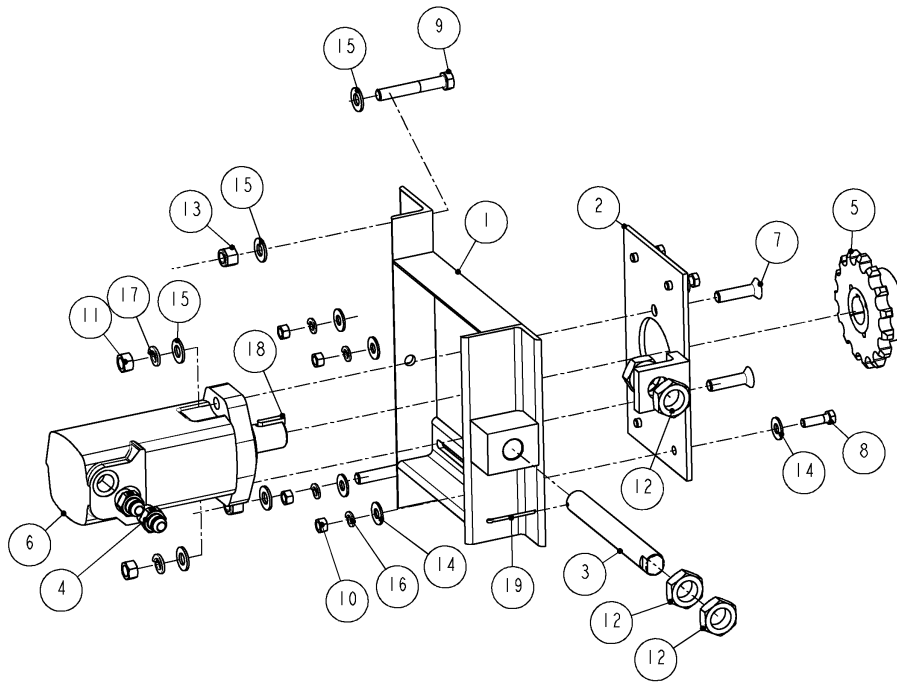


Figure 1 MODEL "JBT" – MAIN ASSEMBLY

6650000: PORK JAWBONE TABLE			
ITEM	PART #	DESCRIPTION	QTY
1	6650100	HYDRAULIC MOTOR ASSEMBLY	1
2	6650190	UPPER CHAIN SUPPORT	2
3	6650301	SNOUT PULLER ASSEMBLY w/CYLINDER - 4 PINS	1
4	6650761	HEAD CHUTE	1
5	6650810	COVER SET, DRIVE CHAIN	1
6	6651000	FRAME	1
7	6652000	IDLER SPROCKET SET	2
8	6652100	DRIVE SPROCKET SET	1
9	6652210	TAKE UP SET WITH SLIDES	1
10	6652311	REAR COVER ASSEMBLY	1
11	6652561	FRONT COVER ASSEMBLY	1
12	6652732	SIDE COVER, BOTTOM	2
13	6652733	SIDE COVER, TOP	2
14	6655510	CONVEYOR CHAIN w/PUSHERS	1
15	7303580	HYDRAULIC HOSE	1
16	7303580	HYDRAULIC HOSE	1
17	7400229	DRIVE CHAIN	1
18	8415080	SCREW	12
19	8418100	SCREW	2
OPTION 1: JAWBONE TAKEAWAY SYSTEM w/CYLINDER			
20	6650942	AIR VALVES SET for/CYLINDER JAWBONE TAKEAWAY SYSTEM	1
21	6651712	PILOT VALVE ASSEMBLY - SINGLE - JBT	1
22	6654001	JAWBONE TAKEAWAY w/CYLINDER ASS'Y	1
23	6652651	SWITCH BRACKET	2
24	6652710	LIMIT SWITCH ASSEMBLY	2
OPTION 2: JAWBONE TAKEAWAY SYSTEM w/HYDRAULIC CONVEYOR			
23	6652651	SWITCH BRACKET	1
24	6652710	LIMIT SWITCH ASSEMBLY	1
25	6650941	AIR VALVES SET for/HYDRAULIC JAWBONE TAKEAWAY SYSTEM	1
26	6651711	PILOT VALVE ASSEMBLY - DUAL - JBT	1
27	6651800	JAWBONE TAKEAWAY BRACKET ASSEMBLY	1
28	6655700	JAWBONE TAKEAWAY ASSEMBLY - HYDRAULIC	1
29	7303520	HYDRAULIC HOSE	1
30	7303520	HYDRAULIC HOSE	1

Figure 2 BOM FOR MODEL "JBT"

HYDRAULIC MOTOR



6650100: HYDRAULIC MOTOR ASSEMBLY			
ITEM	PART #	DESCRIPTION	QTY
1	6650140	MOTOR MOUNTING FRAME	1
2	6650180	MOTOR MOUNT PLATE	1
3	6652220	ADJUSTMENT BAR	1
4	7009590	FITTING	2
5	7400231	DRIVE SPROCKET W/ TAPER BUSHING	1
6	7400232	MOTOR	1
7	8248080	SCREW	2
8	8415100	SCREW	4
9	8418240	SCREW	2
10	8500150	NUT	4
11	8500200	NUT	2
12	8500600	NUT	4
13	8504170	NUT	2
14	8505160	WASHER	8
15	8505180	WASHER	6
16	8506160	WASHER	4
17	8506180	WASHER	2
18	8606100	KEY	1
19	8631140	COTTER PIN	1

Figure 3 6650100: HYDRAULIC MOTOR ASSEMBLY

CONVEYOR CHAIN SUPPORT

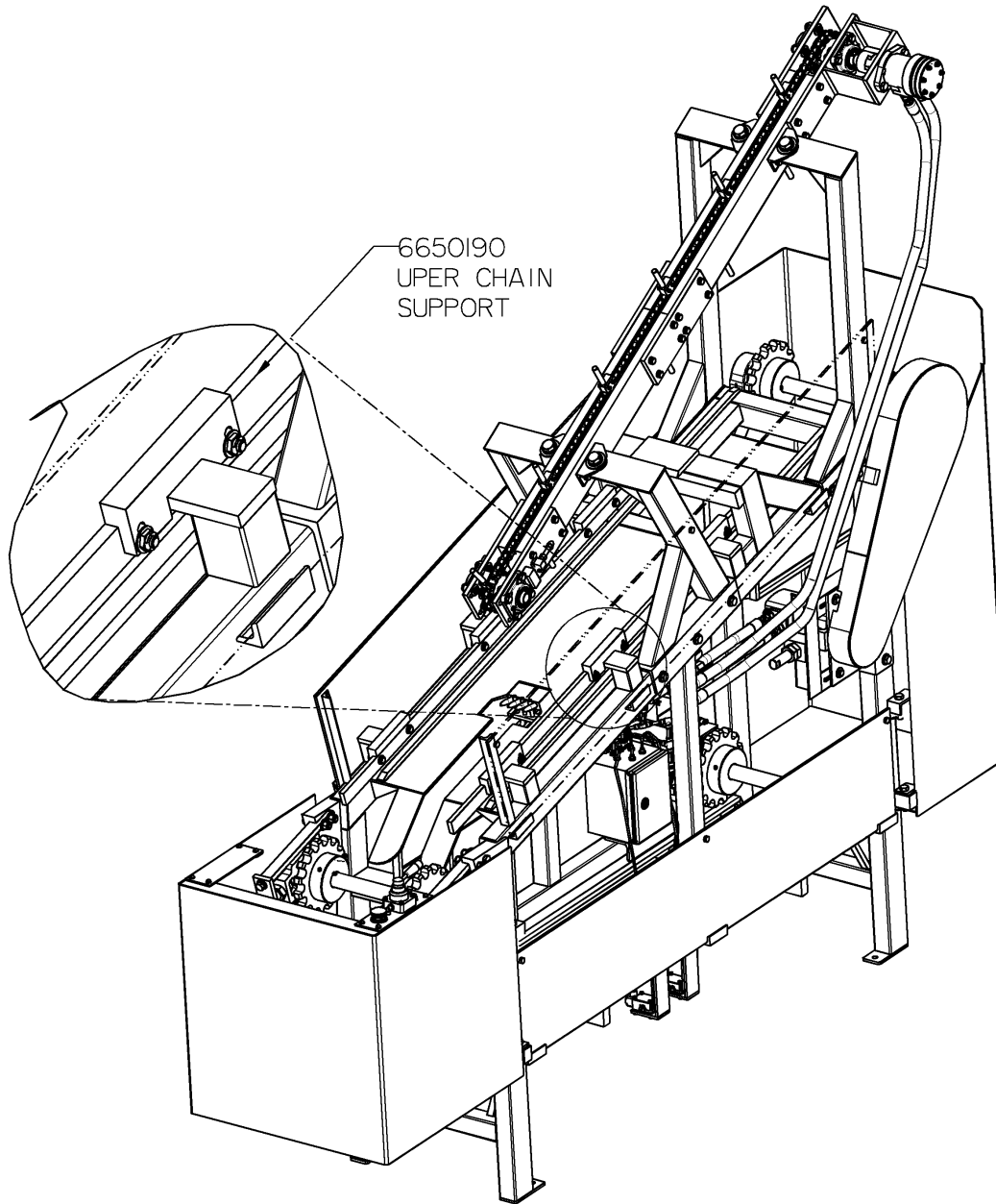
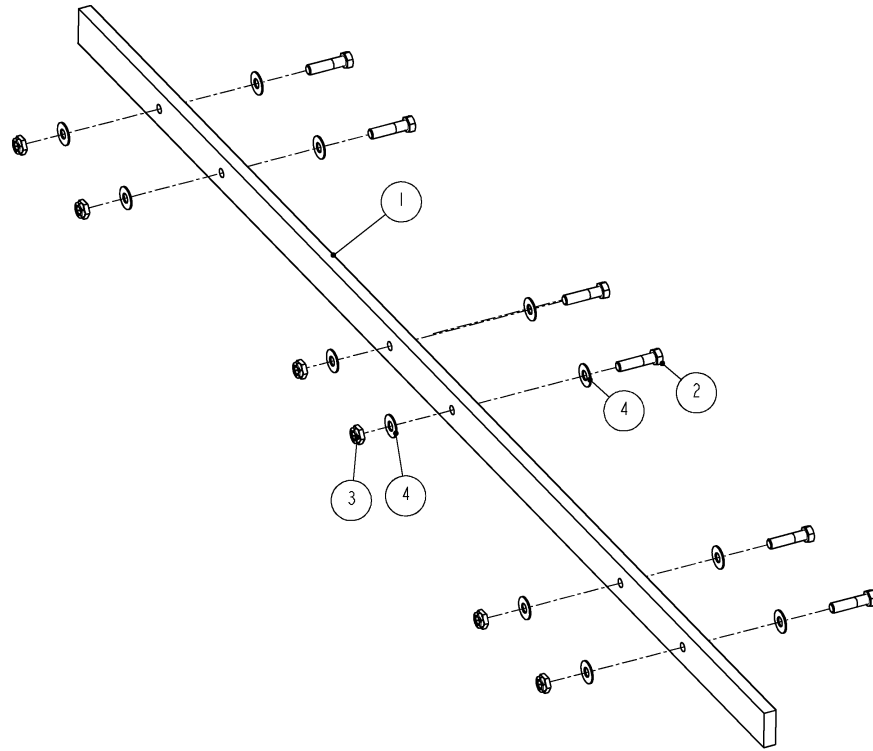


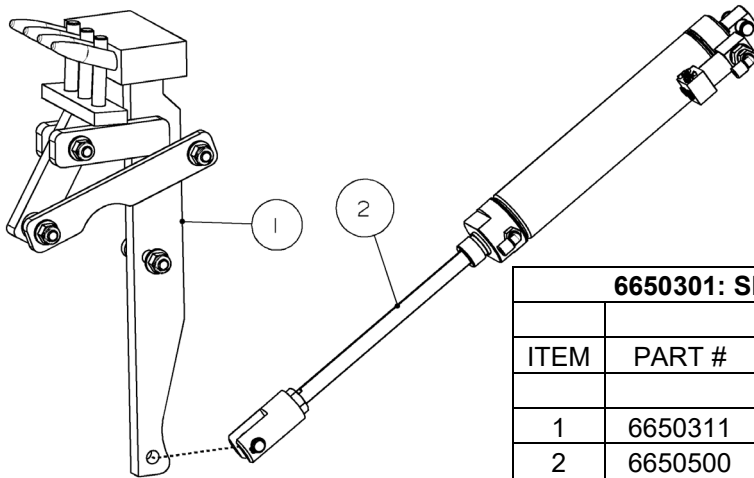
Figure 4 CONVEYOR CHAIN SUPPORT - POSITION



6650190: UPPER CHAIN SUPPORT			
ITEM	PART #	DESCRIPTION	QTY
1	6650191	UPPER SUPPORT	1
2	8415120	SCREW	6
3	8504870	NUT	6
4	8560160	WASHER	12

Figure 5 6650190: UPPER CHAIN SUPPORT

SNOUT PULLER



6650301: SNOUT PULLER SET ASSEMBLY – 4 PINS			
ITEM	PART #	DESCRIPTION	QTY
1	6650311	SNOUT PULLER, 4 PINS	1
2	6650500	SNOUT PULLER CYLINDER ASSEMBLY	1

Figure 6 6650301: SNOUT PULLER ASSEMBLY

6650500: SNOUT PULLER CYLINDER w/ CLEVIS			
ITEM	PART #	DESCRIPTION	QTY
1	5100370	RETAINING RING	4
2	6650470	PIN, CLEVIS SIDE	1
3	6650480	SNOUT PULLER CLEVIS	1
4	6650490	PIN, SNOUT PULLER CYLINDER	1
5	7036350	ELBOW	2
6	7400173	AIR CYLINDER	1
7	7400265	PNEUMATIC SENSOR	1
8	8500180	NUT	1

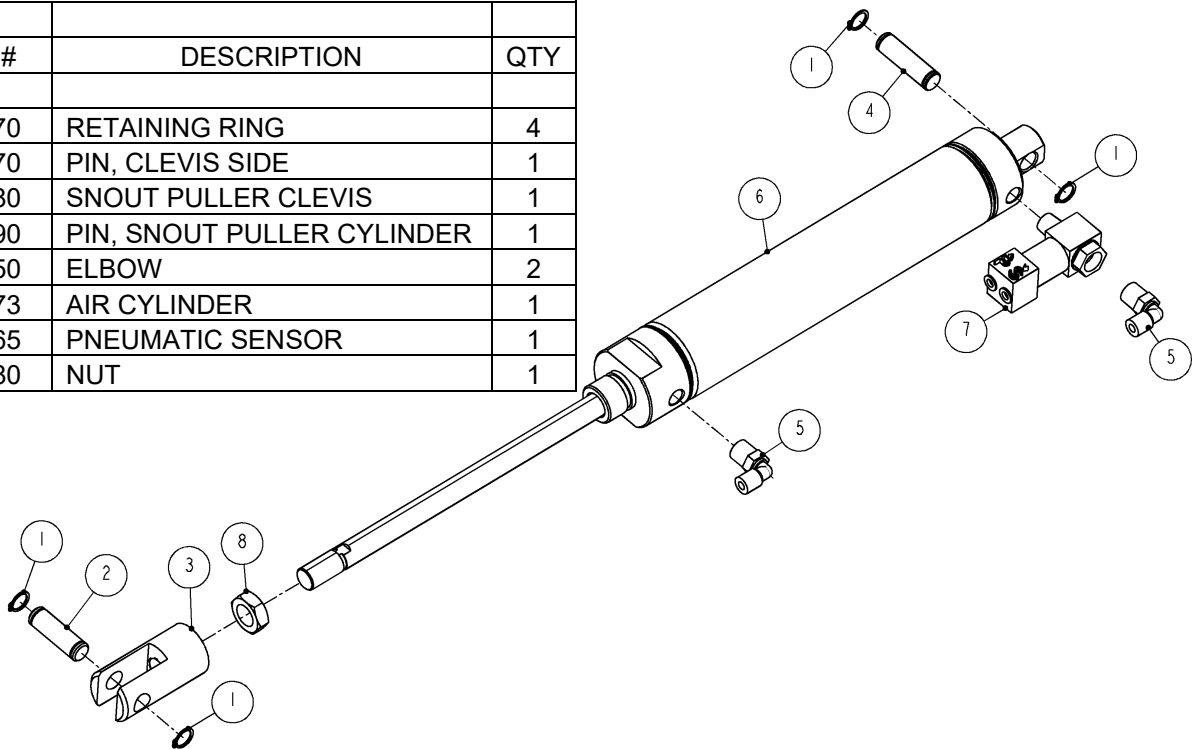
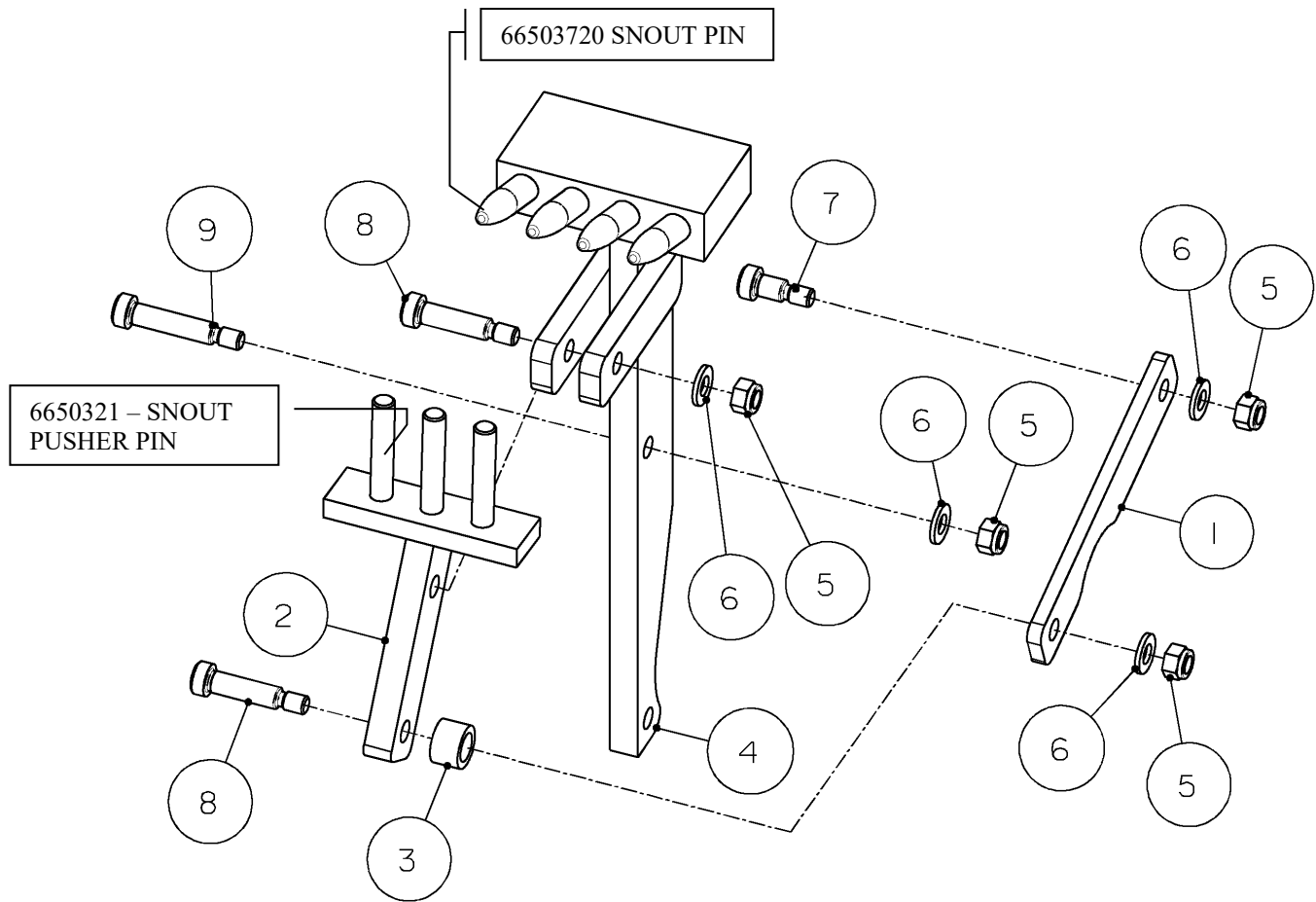


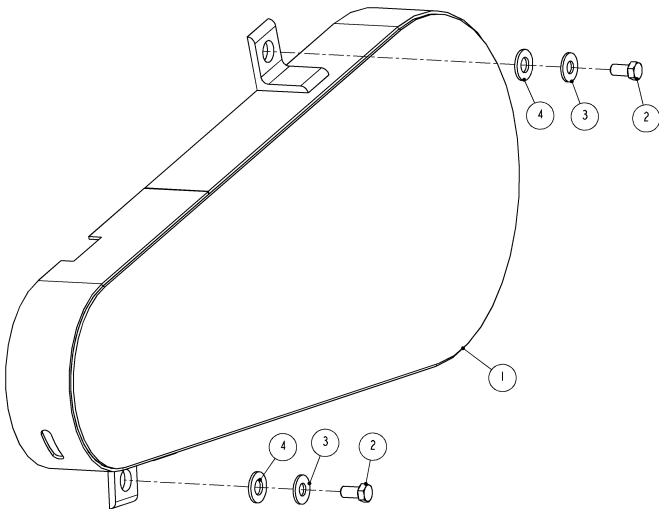
Figure 7 6650500: SNOUT PULLER CYLINDER



6650311: SNOUT PULLER, 4 PINS			
ITEM	PART #	DESCRIPTION	QTY
1	6650400	LINK BAR	1
2	6650451	SNOUT PUSHER - 3 PINS	1
3	6650460	SPACER	1
4	6650511	SNOUT PULLER FRAME - 4 PINS	1
5	8504130	NUT	4
6	8505610	WASHER	4
7	8870310	SCREW	1
8	8870370	SCREW	2
9	8870380	SCREW	1

Figure 8 6650311: SNOUT PULLER, 4 PINS

DRIVE CHAIN COVER



6650810: COVER SET, DRIVE CHAIN - RIGHT			
ITEM	PART #	DESCRIPTION	QTY
1	6650820	DRIVE CHAIN COVER - RIGHT	1
2	8415060	SCREW	2
3	8505160	WASHER	2
4	8505180	WASHER	2

Figure 9 6650810: DRIVE CHAIN COVER – RIGHT SIDE

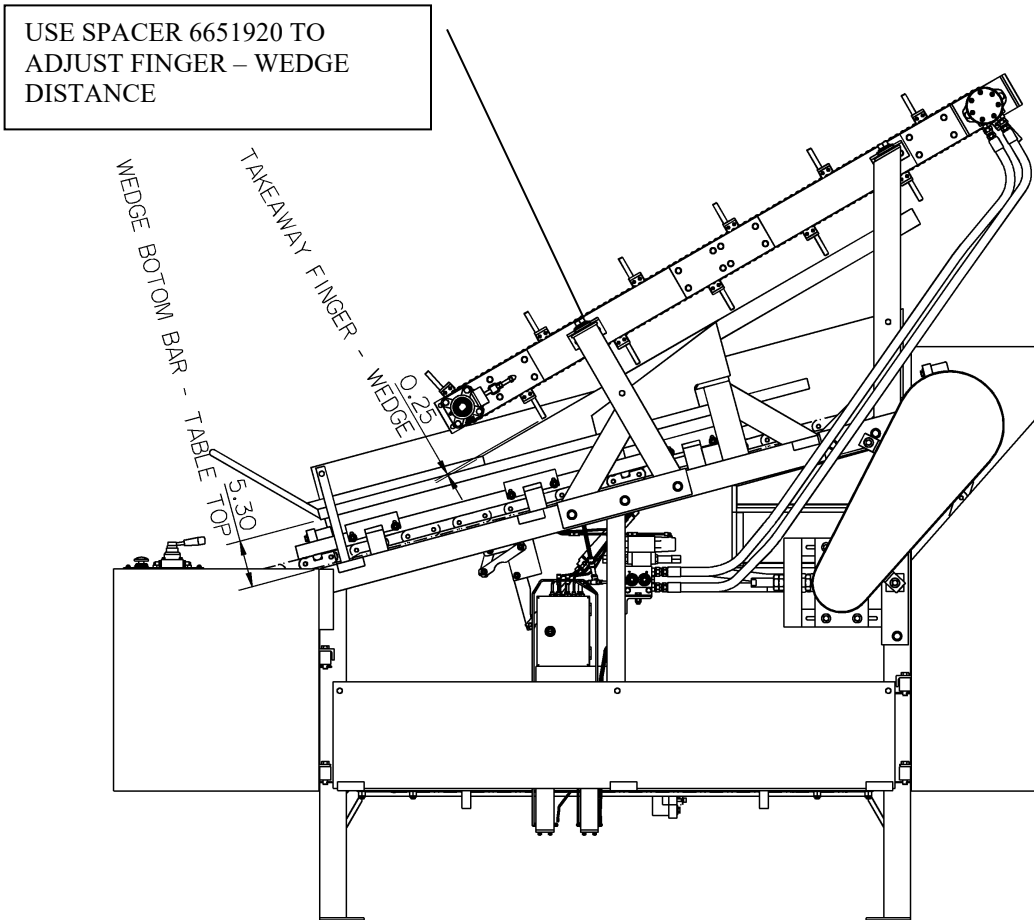
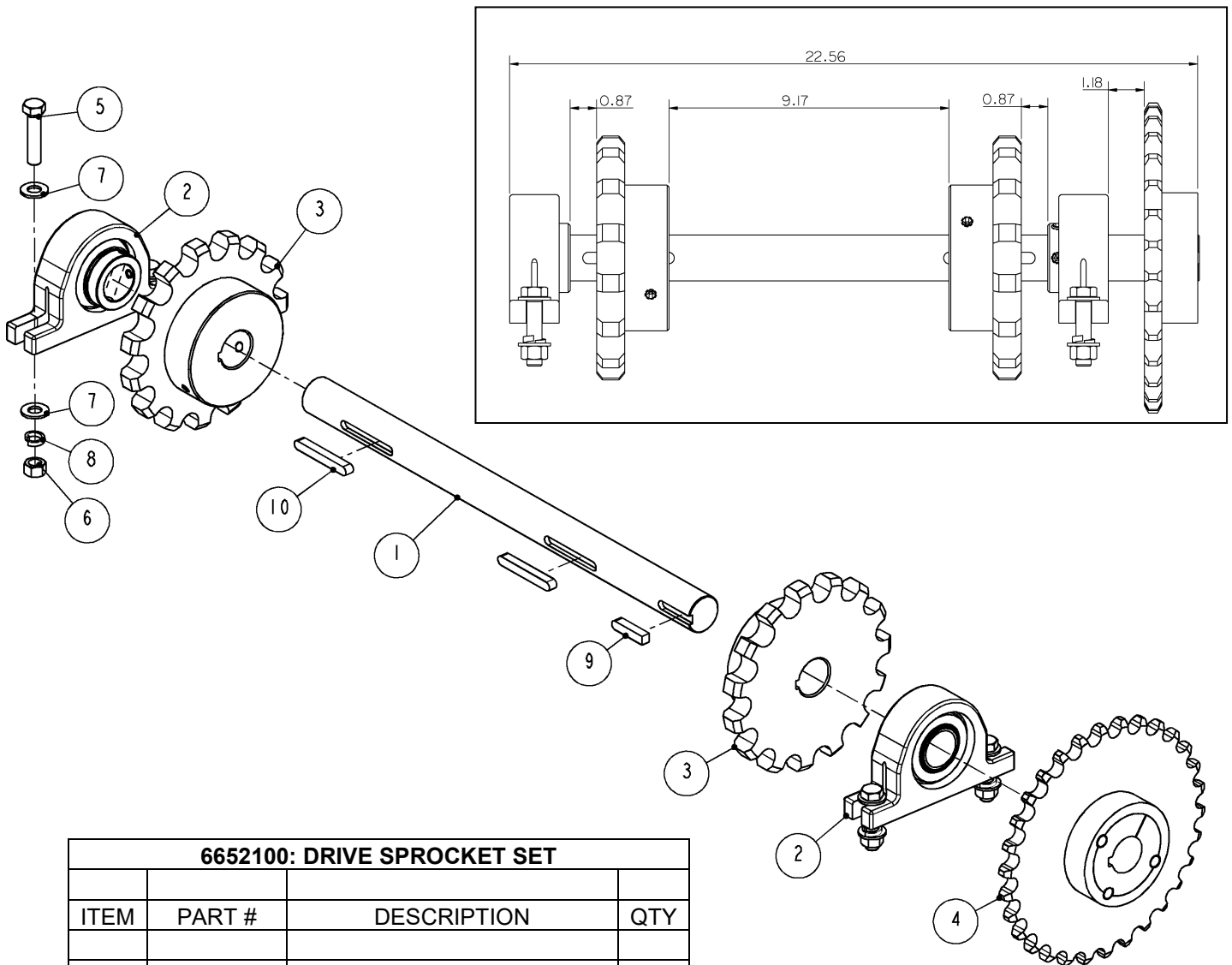


Figure 10 6650100: FRAME - DIMENSIONS

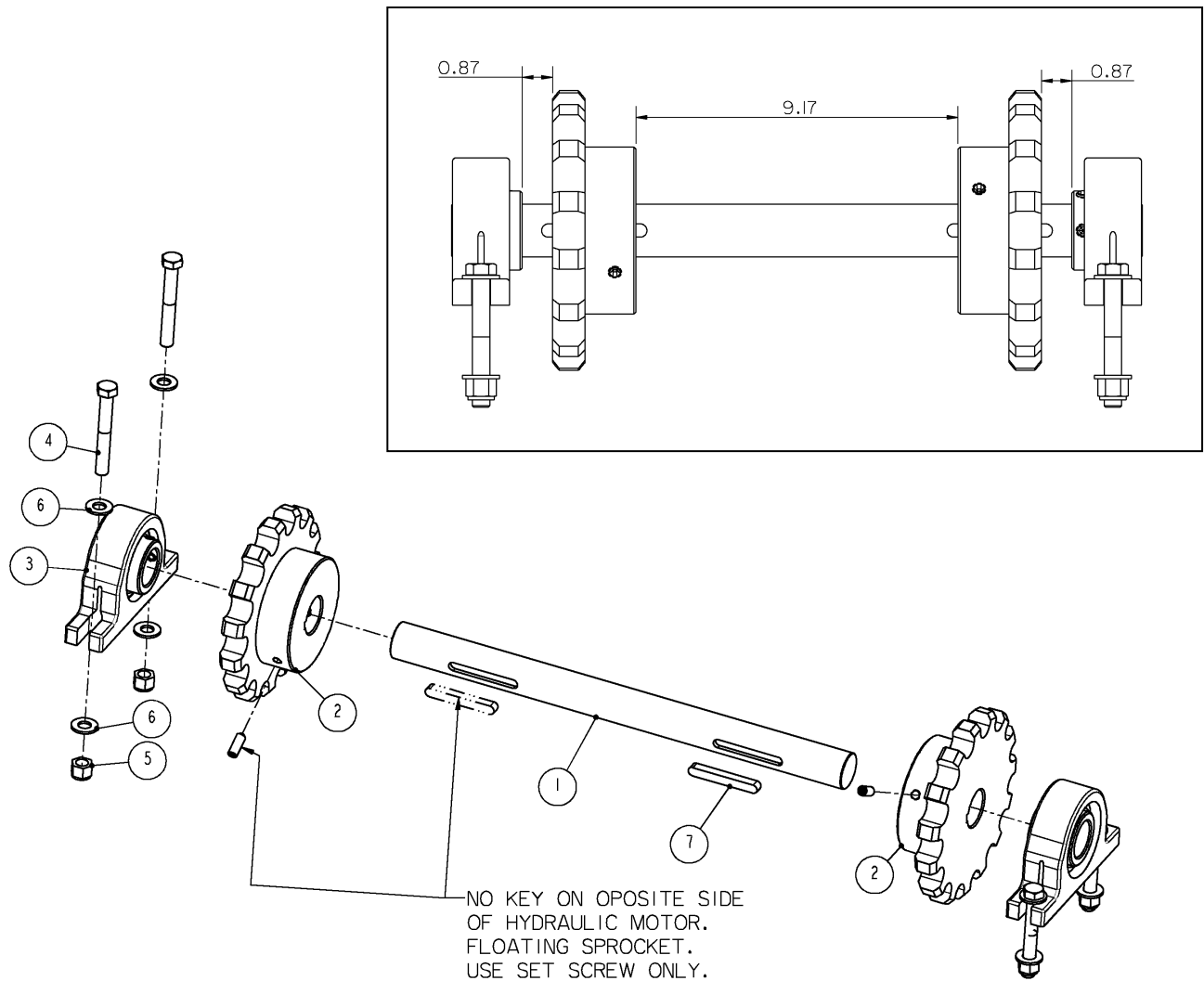
DRIVE SPROCKET SET



6652100: DRIVE SPROCKET SET			
ITEM	PART #	DESCRIPTION	QTY
1	6652110	DRIVE SHAFT	1
2	7400299	MOUNTED PILLOW BLOCK	2
3	7400160	SPROCKET	2
4	7400225	SPROCKET - DRIVEN	1
5	8418180	SCREW	4
6	8500200	NUT	4
7	8505180	WASHER	8
8	8506680	WASHER	4
9	8607070	KEY	1
10	8607120	KEY	2

Figure 11 6652100: DRIVE SPROCKET SET

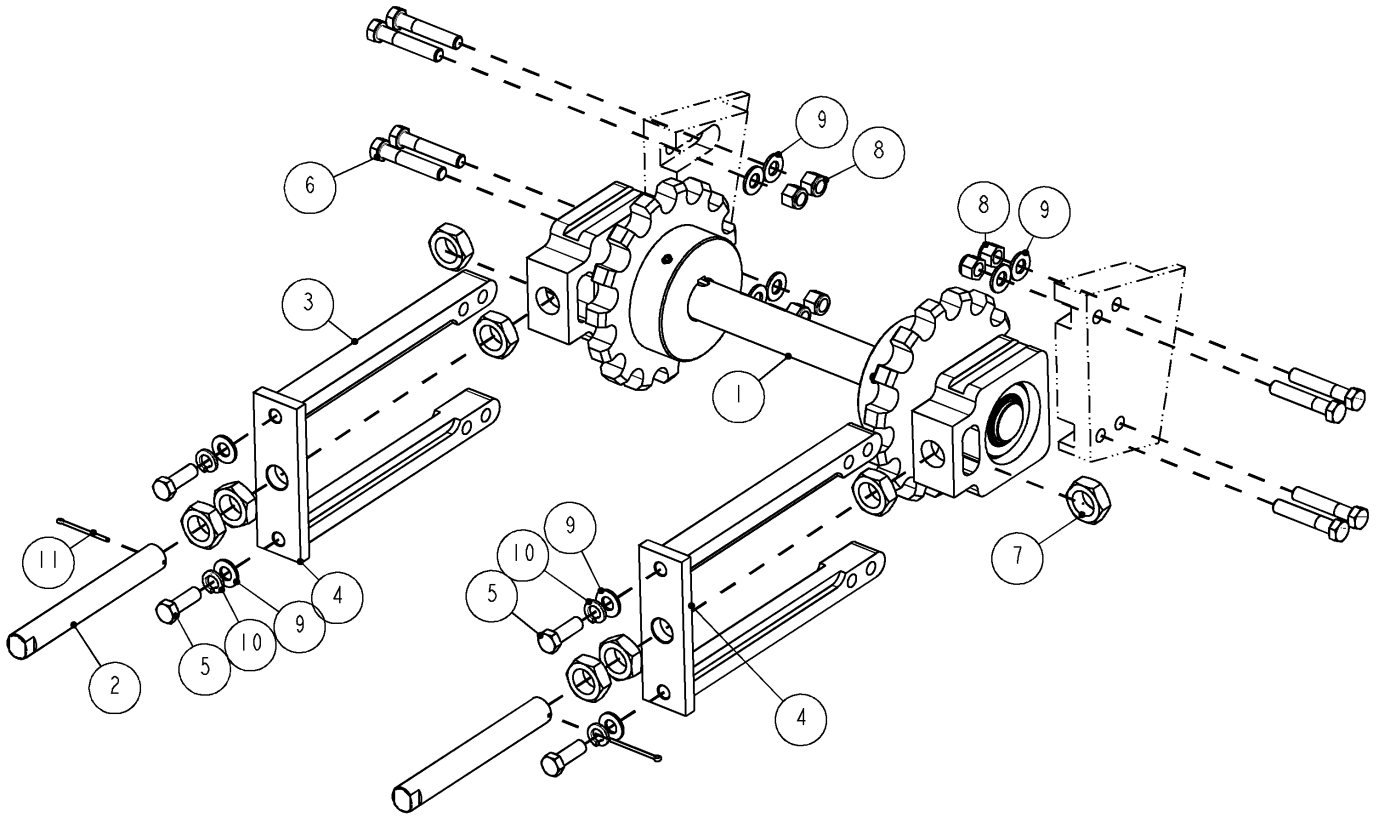
IDLER SPROCKET SET



6652000: IDLER SPROCKET SET			
ITEM	PART #	DESCRIPTION	QTY
1	6652010	SHAFT	1
2	7400160	SPROCKET	2
3	7400299	MOUNTED PILLOW BLOCK w/ BALL BEARING	2
4	8418260	SCREW	4
5	8504170	NUT	4
6	8505180	WASHER	8
7	8607120	KEY	2

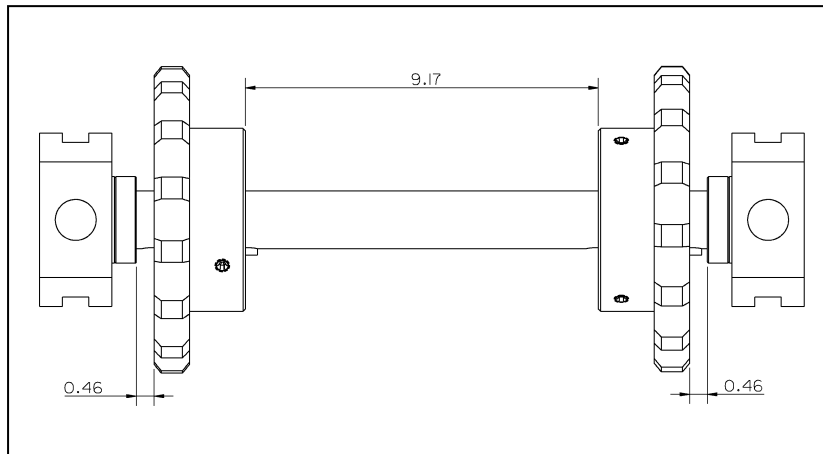
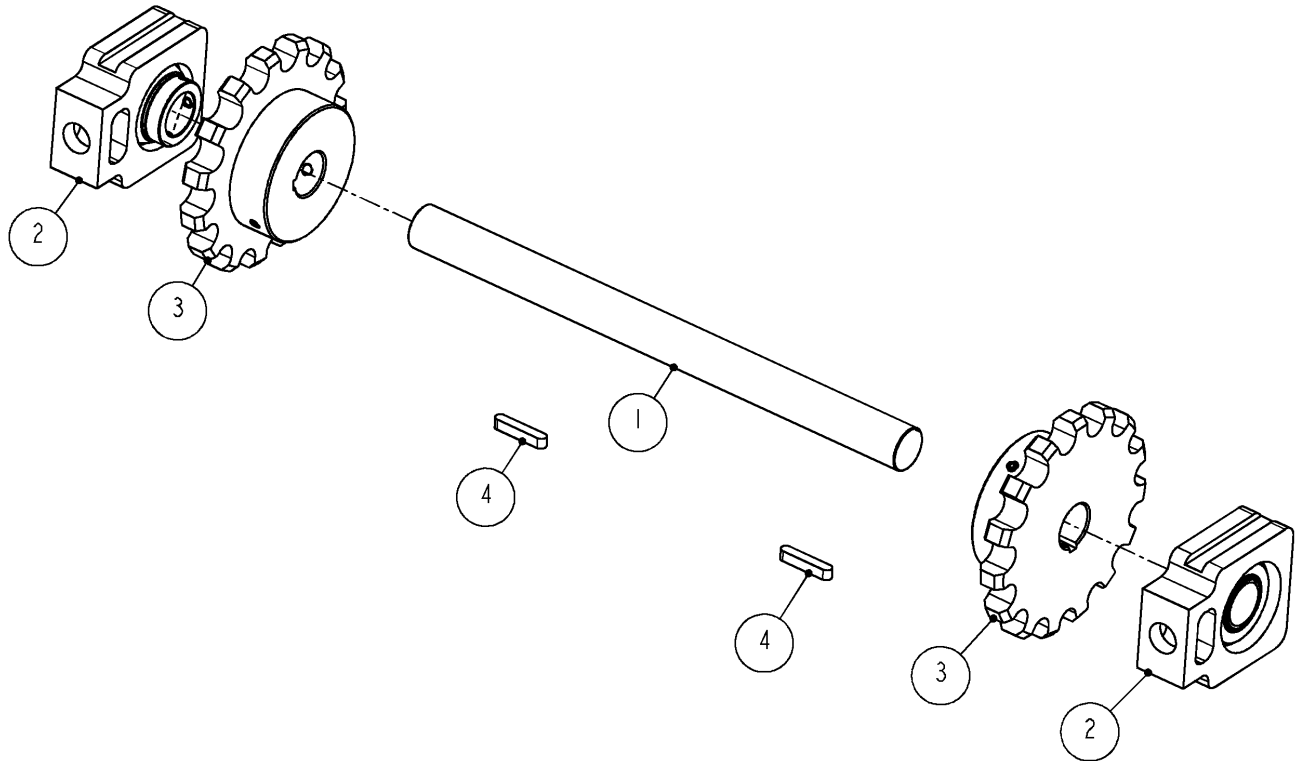
Figure 12 6652000: IDLER SPROCKET SET

TAKE UP SPROCKET SET



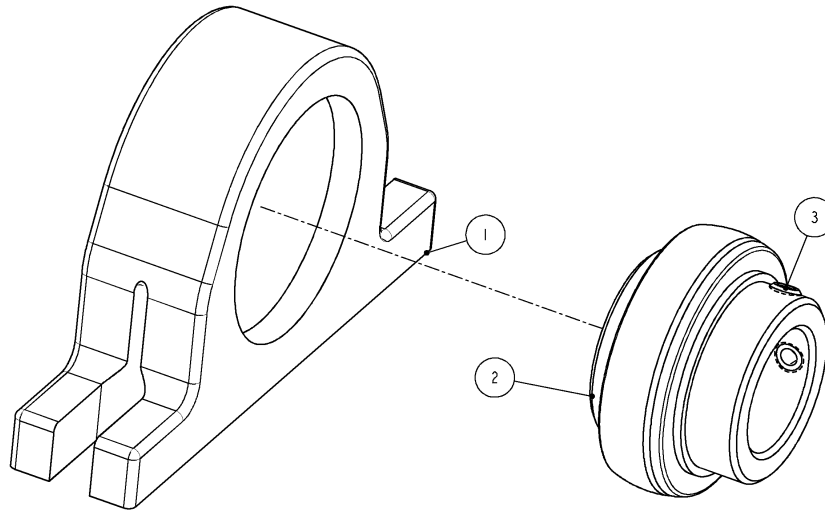
6652210: TAKE UP SET WITH SLIDES			
ITEM	PART #	DESCRIPTION	QTY
1	6652200	TAKE-UP SET	1
2	6652220	ADJUSTMENT BAR	2
3	6652231	TAKE-UP SLIDE	4
4	6652240	COVER PLATE	2
5	8418120	SCREW	4
6	8418220	SCREW	8
7	8500600	NUT	8
8	8504170	NUT	8
9	8505180	WASHER	12
10	8506180	WASHER	4
11	8631140	COTTER PIN	2

Figure 13 6652210: TAKE UP SET WITH SLIDES



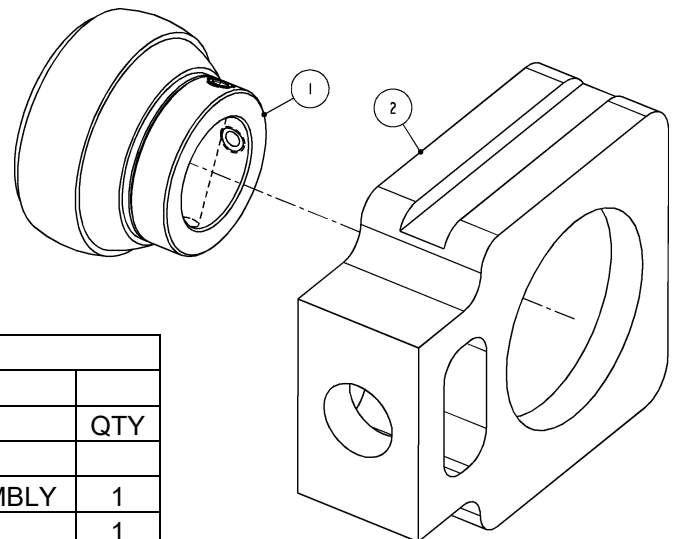
6652200: TAKE-UP SET			
ITEM	PART #	DESCRIPTION	QTY
1	6652010	SHAFT	1
2	7400158	TAKE-UP BEARING	2
3	7400160	SPROCKET	2
4	8607080	KEY	2

Figure 14 6652200: TAKE UP SET



7400299: MOUNTED PILLOW BLOCK w/ BALL BEARING			
ITEM	PART #	DESCRIPTION	QTY
1	7400221	PILLOW BLOCK	1
2	7400300	BALL BEARING	1
3	8316030	SET SCREW, CUP POINT	2

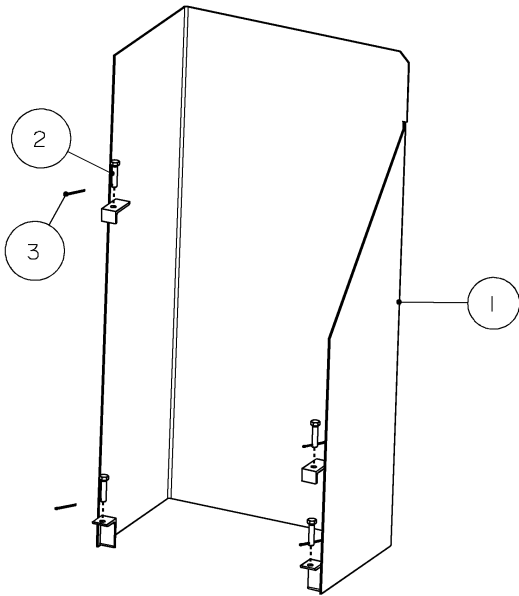
Figure 15 7400299: TAKE UP BEARING



7400158: TAKE-UP BEARING			
ITEM	PART #	DESCRIPTION	QTY
1	7400222	SPHERICAL BEARING ASSEMBLY	1
2	7400224	WIDE SLOT TAKE-UP	1

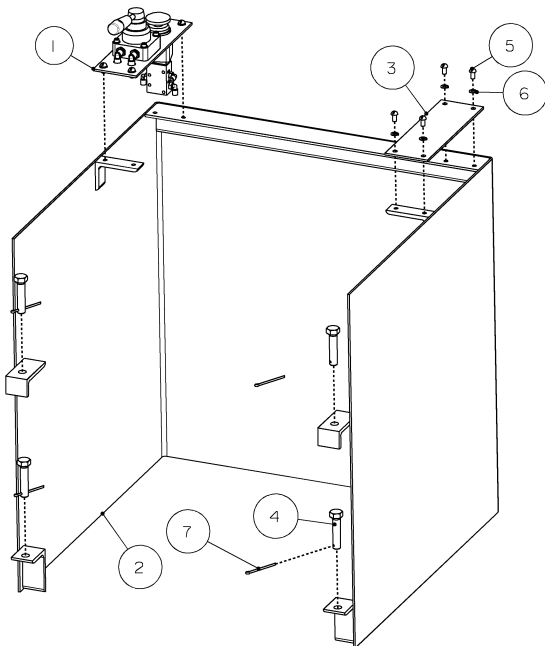
Figure 16 7400158: TAKE UP BEARING

FRONT AND REAR COVER



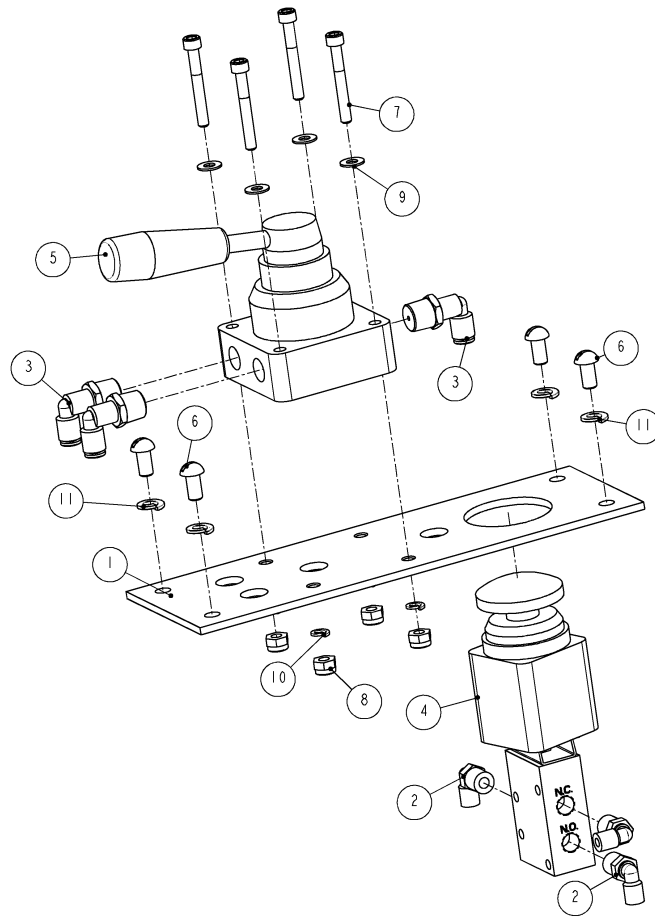
6652311: REAR COVER ASSEMBLY			
ITEM	PART #	DESCRIPTION	QTY
1	6652321	REAR COVER FRAME	1
2	6652640	SCREW	4
3	8631140	COTTER PIN	4

Figure 17 6652311: REAR COVER ASSEMBLY



6652561: FRONT COVER ASSEMBLY			
ITEM	PART #	DESCRIPTION	QTY
1	6652570	CONTROL PANEL	1
2	6652581	FRONT COVER FRAME	1
3	6652630	COVER	1
4	6652640	SCREW	4
5	8031040	SCREW	4
6	8506100	WASHER	4
7	8631140	COTTER PIN	4

Figure 18 6652561: FRONT COVER ASSEMBLY

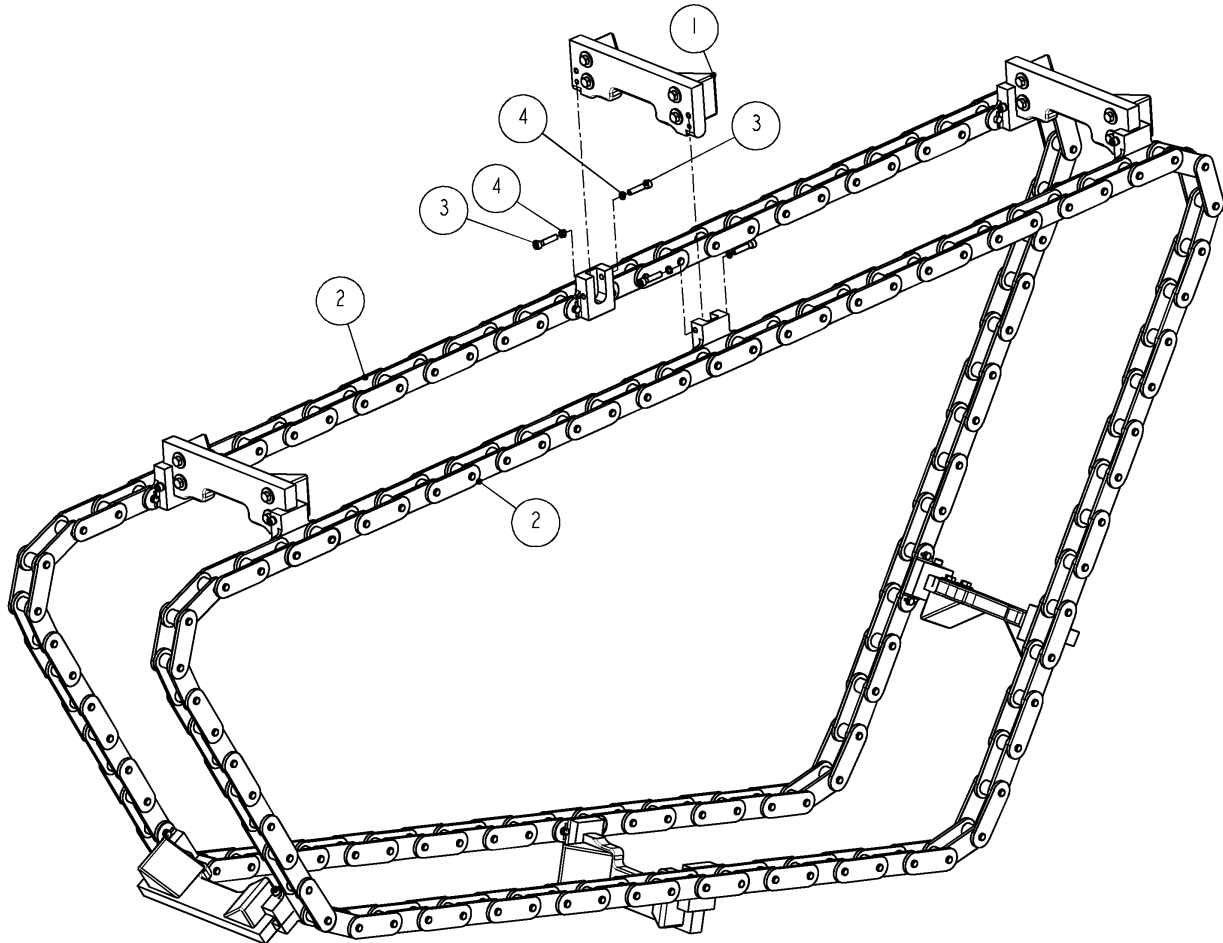


6652570: CONTROL PANEL			
ITEM	PART #	DESCRIPTION	QTY
1	6652620	MOUNTING PLATE	1
2	7036350	ELBOW	3
3	7036380	ELBOW	3
4	7400266	EMERGENCY STOP	1
5	7400269	AIR VALVE	1
6	8031040	SCREW	4
7	8209120	SCREW	4
8	8504090	NUT	4
9	8505090	WASHER	4
10	8506090	WASHER	4
11	8506100	WASHER	4

Figure 19 6652570: CONTROL PANEL

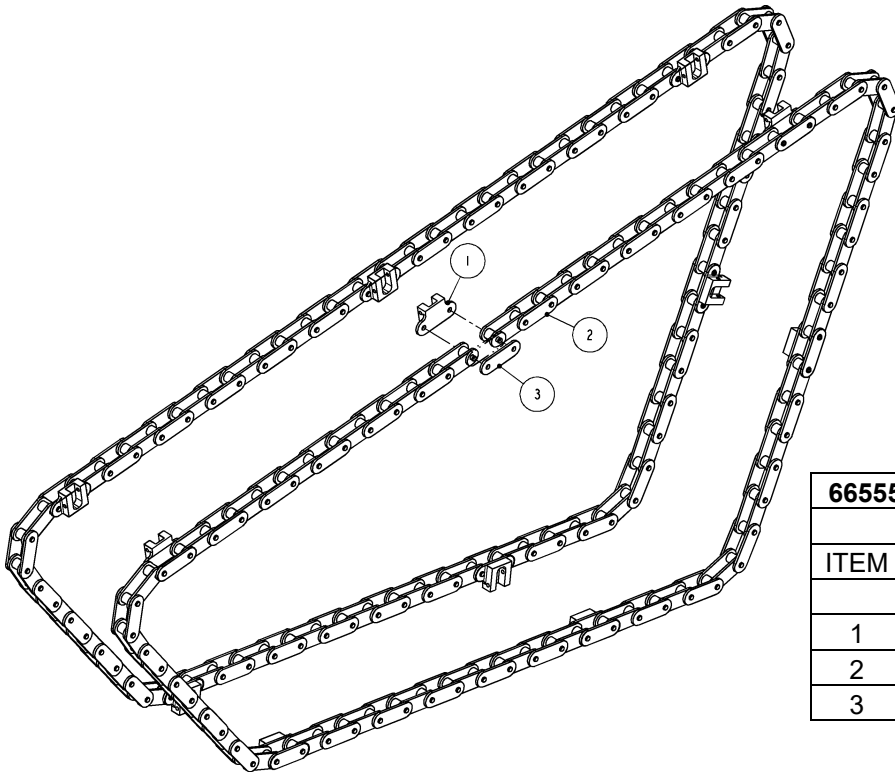
CONVEYOR AND DRIVE CHAIN

CONVEYOR CHAIN AND HEAD PUSHERS



665510: CONVEYOR CHAIN w/PUSHERS			
ITEM	PART #	DESCRIPTION	QTY
1	6655000	PUSHER BLOCK	6
2	6655500	CONVEYOR CHAIN COMPLETE KIT	1
3	8214120	SCREW	24
4	8506650	WASHER	24

Figure 20 665510: CONVEYOR CHAIN w/PUSHERS



665500: CONVEYOR CHAIN COMPLETE KIT			
ITEM	PART #	DESCRIPTION	QTY
1	6655400	LINK, PUSHER	12
2	7400156	CONVEYOR CHAIN	2
3	7400157	CHAIN LINK	12

Figure 21 665500: CONVEYOR CHAIN KIT

6655000: PUSHER BLOCK			
ITEM	PART #	DESCRIPTION	QTY
1	6655100	PUSHER	1
2	6655300	PUSHER WEDGE	2
3	8415140	SCREW	4
4	8505160	WASHER	4

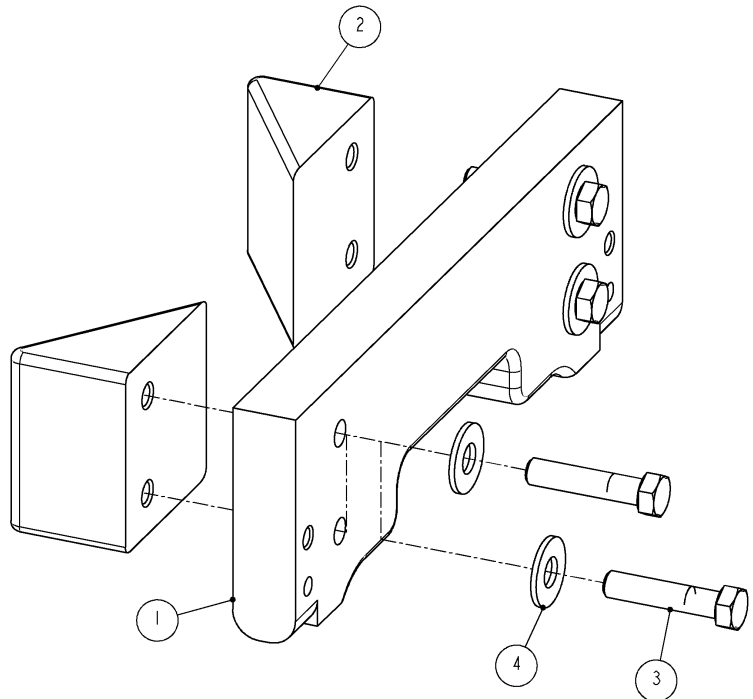


Figure 22 6655000: PUSHER BLOCK

CONVEYOR AND DRIVE CHAIN ADJUSTMENT

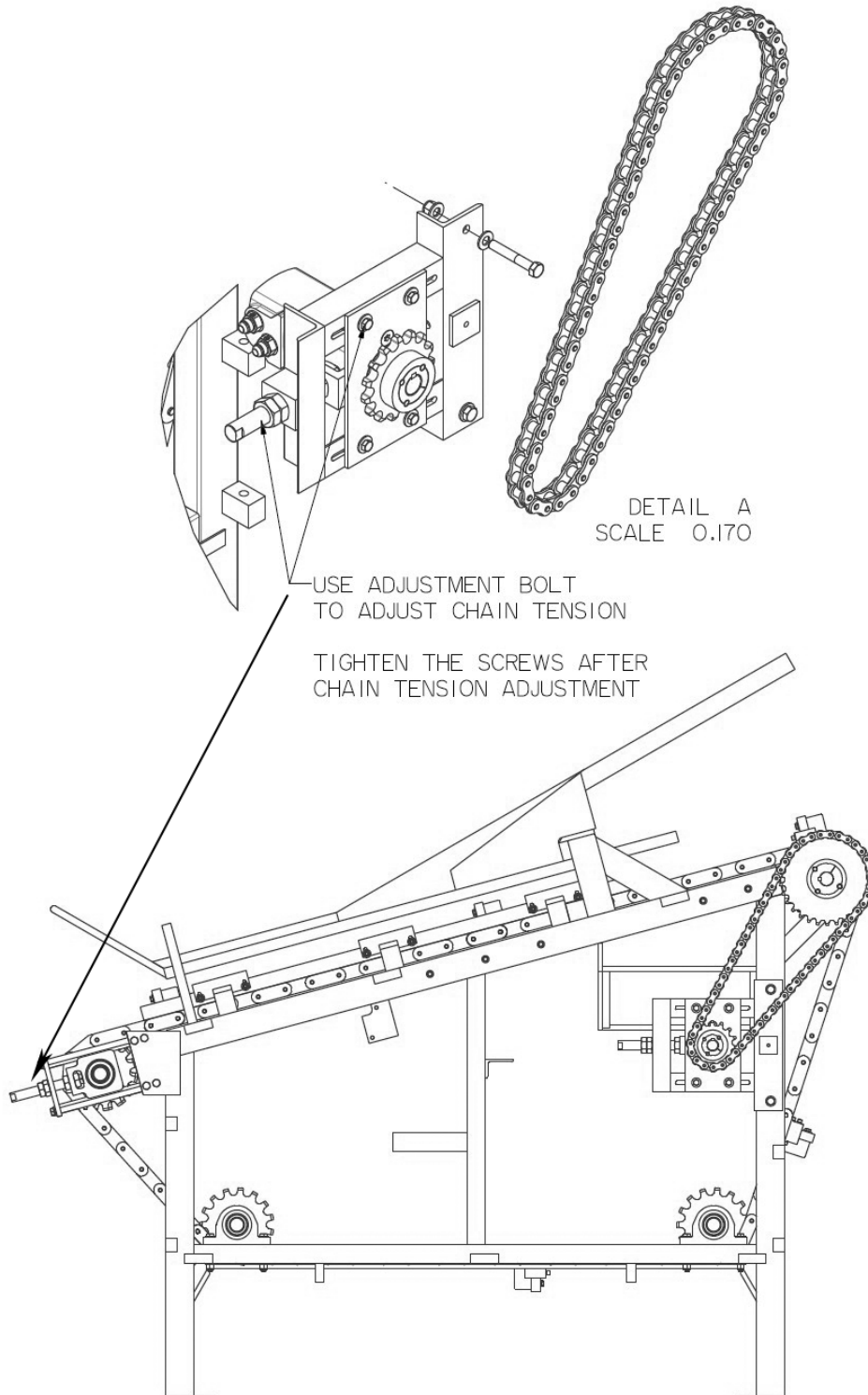
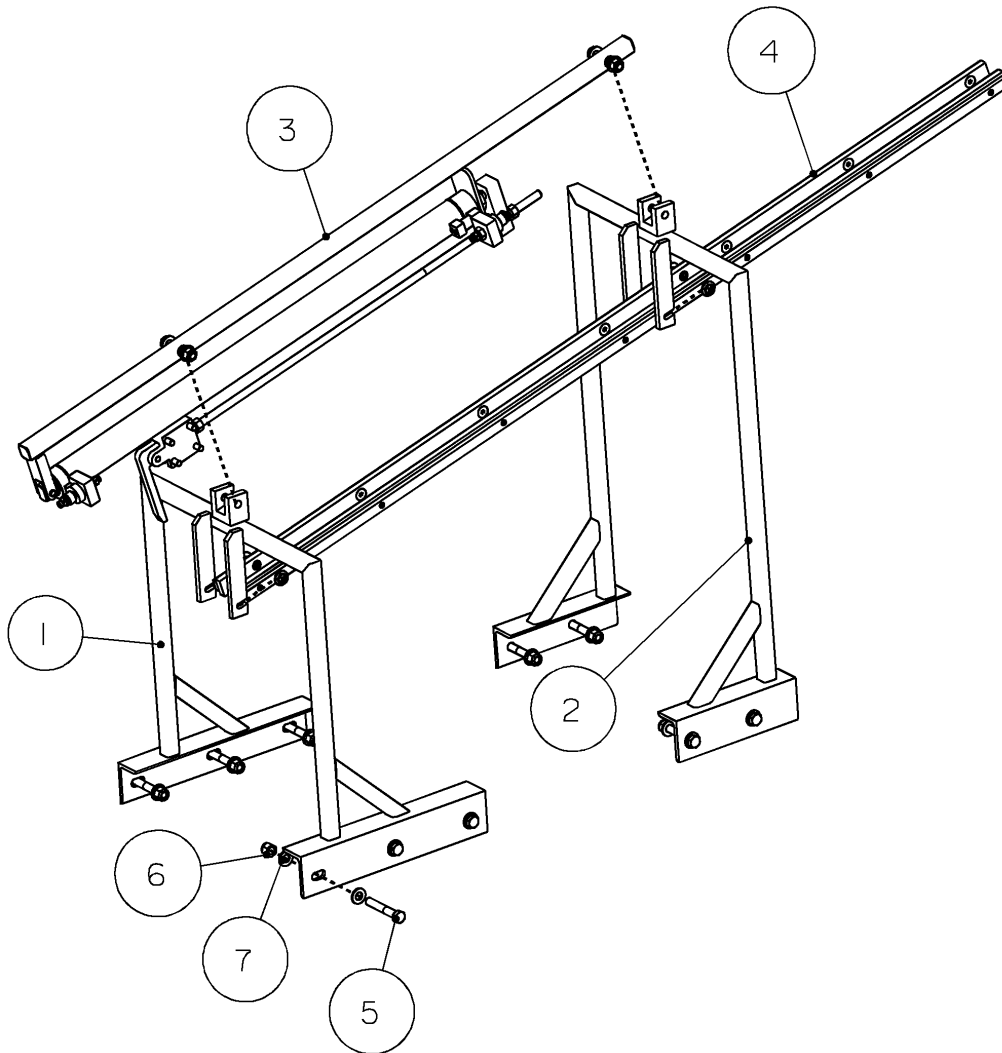


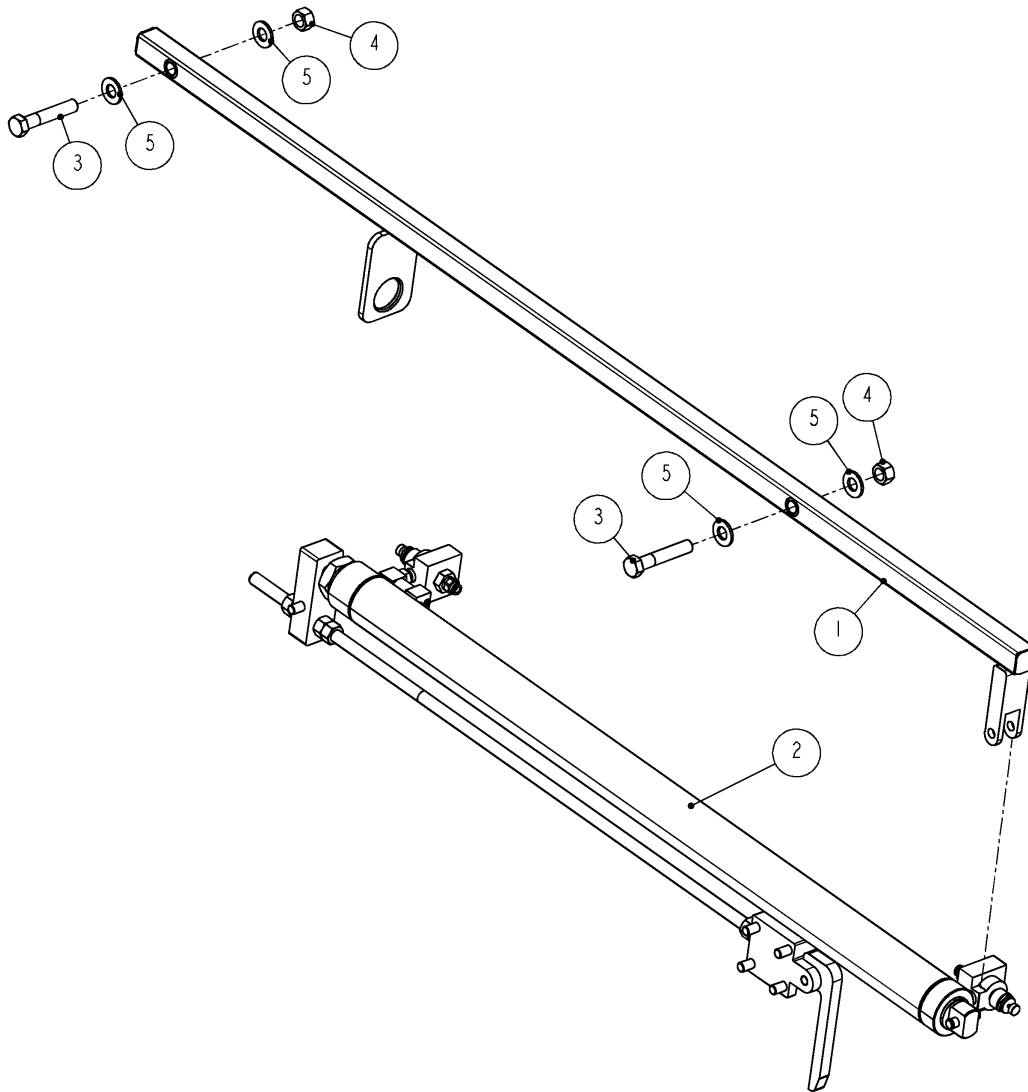
Figure 23 DRIVE AND CONVEYOR CHAIN ADJUSTMENT

OPTION 1: JAWBONE TAKEAWAY SYSTEM w/CYLINDER



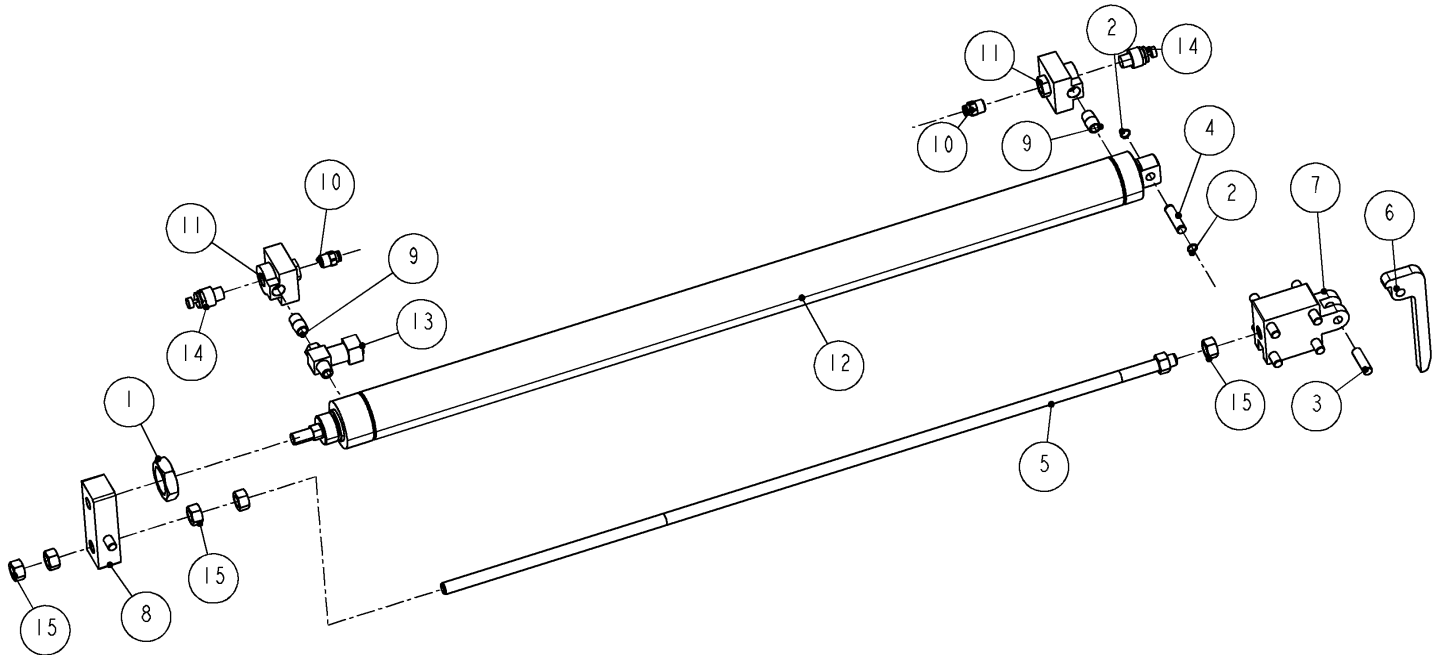
6654001: JAWBONE TAKEAWAY w/CYLINDER ASS'Y			
ITEM	PART #	DESCRIPTION	QTY
1	6651010	FRONT - CYLINDER SUPPORT	1
2	6651020	REAR - CYLINDER SUPPORT	1
3	6654000	JAWBONE CYLINDER w/BRACKET	1
4	6654060	SLIDE ASSEMBLY, JAWBONE CYL.	2
5	8418240	SCREW	10
6	8504170	NUT	10
7	8505180	WASHER	20

Figure 24 6654001: JAWBONE TAKEAWAY w/CYLINDER ASS'Y



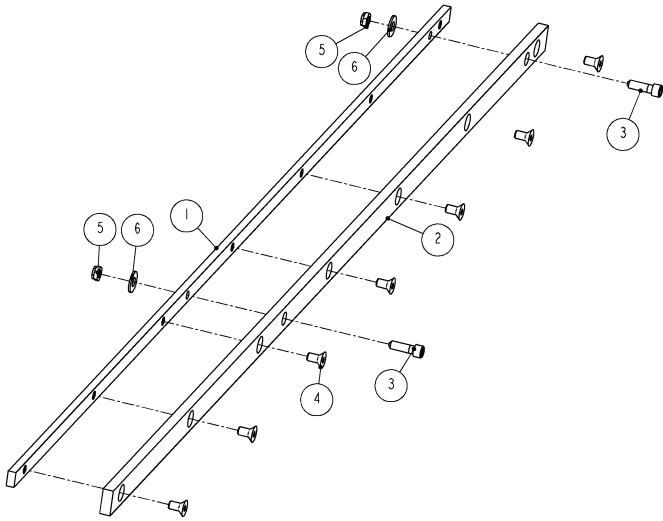
6654000: JAWBONE CYLINDER w/BRACKET			
ITEM	PART #	DESCRIPTION	QTY
1	6654010	BRACKET, JAWBONE CYLINDER	1
2	6654100	JAWBONE CYLINDER w/CLEVIS	1
3	8418220	SCREW	2
4	8500200	NUT	2
5	8505180	WASHER	4

Figure 25 6654000: JAWBONE CYLINDER w/BRACKET



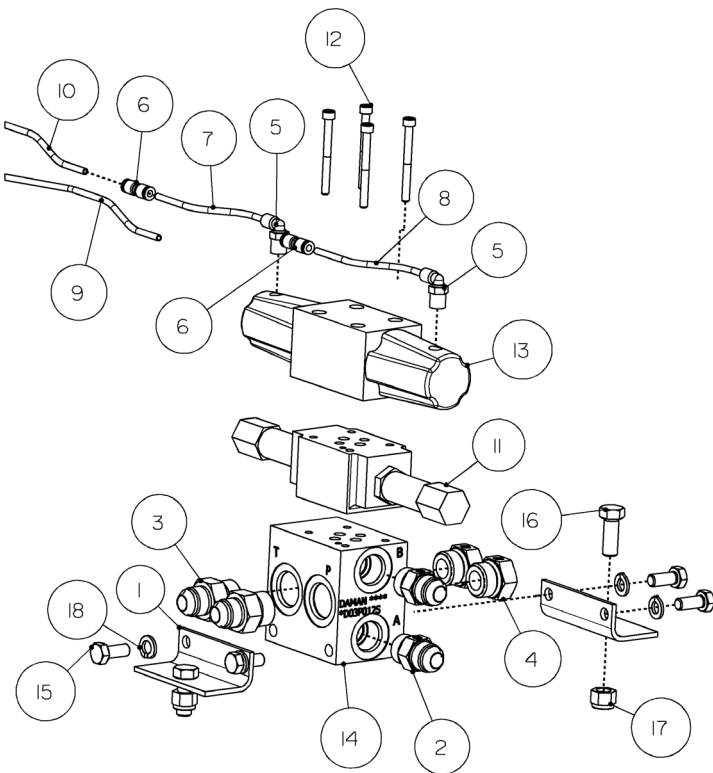
6654100: JAWBONE CYLINDER w/CLEVIS			
ITEM	PART #	DESCRIPTION	QTY
1	1704330	NUT, ADJUSTING SCREW	1
2	5100370	RETAINING RING	2
3	6654110	PIN, CLEVIS	1
4	6654120	PIN	1
5	6654130	ADJUSTMENT BAR	1
6	6654140	JAWBONE HOOK PLATE	1
7	6654160	CLAVIS	1
8	6654200	LINK	1
9	7003460	CLOSE NIPPLE	2
10	7036080	FITTING	2
11	7400190	QUICK EXHAUST VALVE	2
12	7400258	AIR CYLINDER	1
13	7400259	PNEUMATIC SENSOR	1
14	7400262	ADJUSTABLE EXHAUST MUFFLER	2
15	8500210	NUT	6

Figure 26 6654100: JAWBONE CYLINDER w/CLEVIS



6654060: SLIDE ASSEMBLY, JAWBONE CYL.			
ITEM	PART #	DESCRIPTION	QTY
1	6654070	SUPPORT BAR	1
2	6654080	SLIDE BAR	1
3	8215100	SCREW	2
4	8245060	SCREW	7
5	8504870	NUT	2
6	8505160	WASHER	2

Figure 27 6654060: SLIDE ASS'Y, JAWBONE CYLINDER



6651712: PILOT VALVE ASSEMBLY - SINGLE - JBT			
ITEM	PART #	DESCRIPTION	QTY
1	6652760	SUBPLATE BRACKET	2
2	7009580	FITTING	2
3	7009590	FITTING	2
4	7009960	Plug	2
5	7036350	ELBOW	2
6	7037860	UNION	2
7	7300840	GREEN AIR TUBE	1
8	7300850	RED AIR TUBE	1
9	7300971	RED AIR TUBE	1
10	7300981	GREEN AIR TUBE	1
11	7400390	FLOW CONTROL VALVE	1
12	7400391	BOLTS	1
13	7804860	PILOT VALVE	1
14	7850722	MANIFOLD - SINGLE PORT	1
15	8413060	SCREW	4
16	8415080	SCREW	2
17	8504150	NUT	2
18	8506610	WASHER	4

USE 7400390 (ITEM 11) TO ADJUST THE DRIVE CHAIN SPEED IN BOTH DIRECTION.

Figure 28 6651712: PILOT VALVE ASSEMBLY – SINGLE - JBT

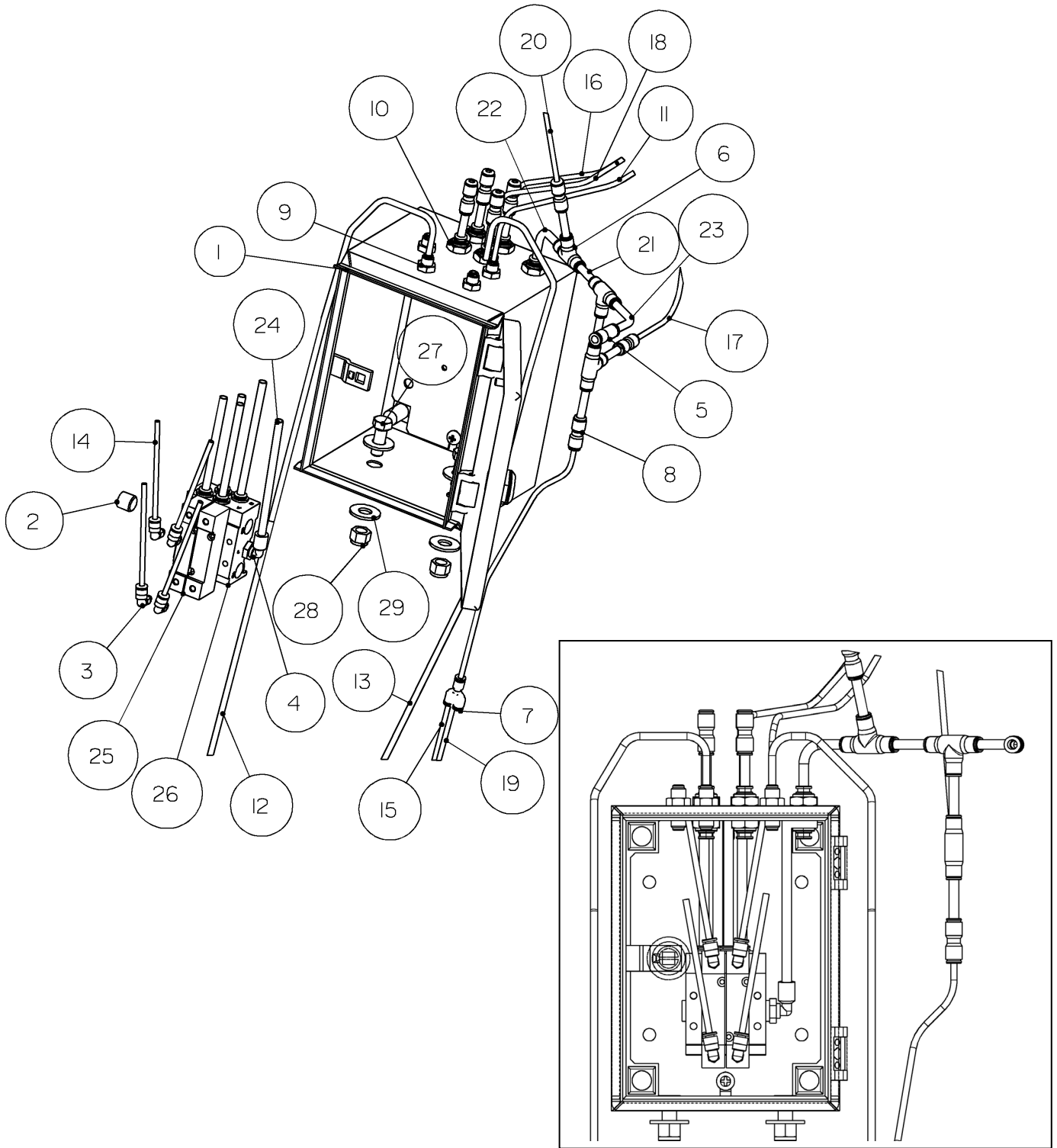


Figure 29 6650942: AIR VALVE SET FOR CYLINDER TAKEAWAY SYSTEM

6650942: AIR VALVES SET for/CYLINDER JAWBONE TAKEAWAY SYSTEM			
ITEM	PART #	DESCRIPTION	QTY
1	6650952	AIR VALVES ENCLOSURE	1
2	7000020	PLUG	1
3	7036340	ELBOW	4
4	7036550	ELBOW	1
5	7037880	UNION	1
6	7038080	TEE	3
7	7038150	UNION	1
8	7038240	TUBE CONNECTOR	7
9	7038660	UNION	4
10	7038680	FITTING	5
11	7300510	GREEN AIR TUBE - 20"	1
12	7300510	GREEN AIR TUBE - 36"	1
13	7300510	GREEN AIR TUBE - 36"	1
14	7300510	GREEN AIR TUBE - 5"	4
15	7300520	RED AIR TUBE	1
16	7300520	RED AIR TUBE - 10"	1
17	7300520	RED AIR TUBE - 20"	1
18	7300520	RED AIR TUBE - 20"	1
19	7300520	RED AIR TUBE - 36"	1
20	7300520	RED AIR TUBE - 70"	1
21	7300580	RED, AIR TUBE	9
22	7300580	RED AIR TUBE	1
23	7300580	RED AIR TUBE	1
24	7300580	RED, AIR TUBE	5
25	7400268	VALVE	2
26	7400370	DUAL STATION MANIFOLD	1
27	8415080	SCREW	2
28	8504150	NUT	2
29	8505160	WASHER	4

7300510 – AIR TUBING – GREEN – SOLD PER FOOT – 20 FEET – RECOMMENDED LENGTH
 7300520 – AIR TUBING – RED – SOLD PER FOOT – 20 FEET – RECOMMENDED LENGTH
 7300580 – AIR TUBING – RED – 1/4 – SOLD PER FOOT – 20 FEET – RECOMMENDED LENGTH
 CUT AS NEEDED.

Figure 30 6650942: BOM - AIR VALVE SET FOR CYLINDER TAKEAWAY SYSTEM

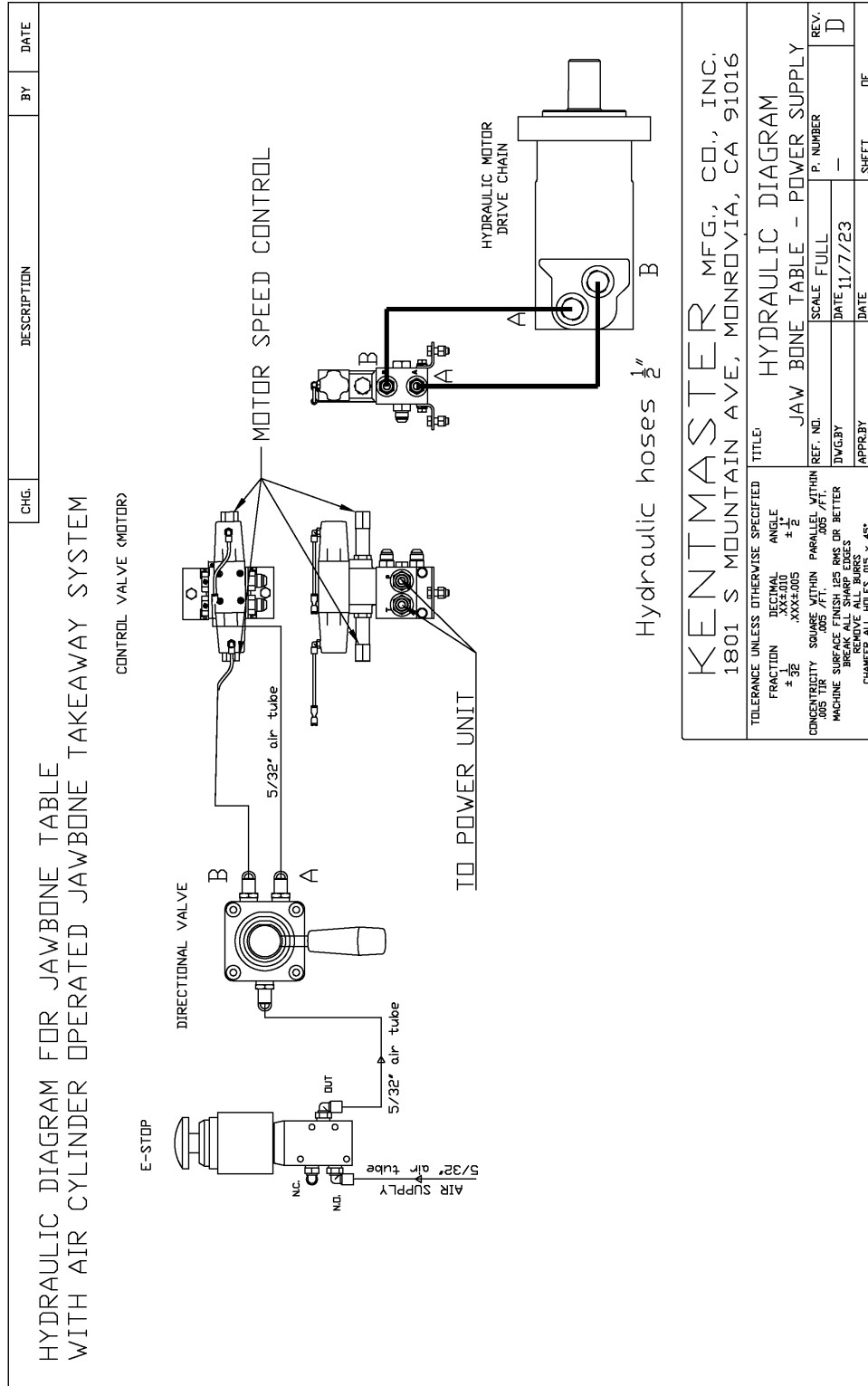


Figure 31 AIR / HYDRAULIC DIAGRAM FOR CYLINDER TAKEAWAY SYSTEM

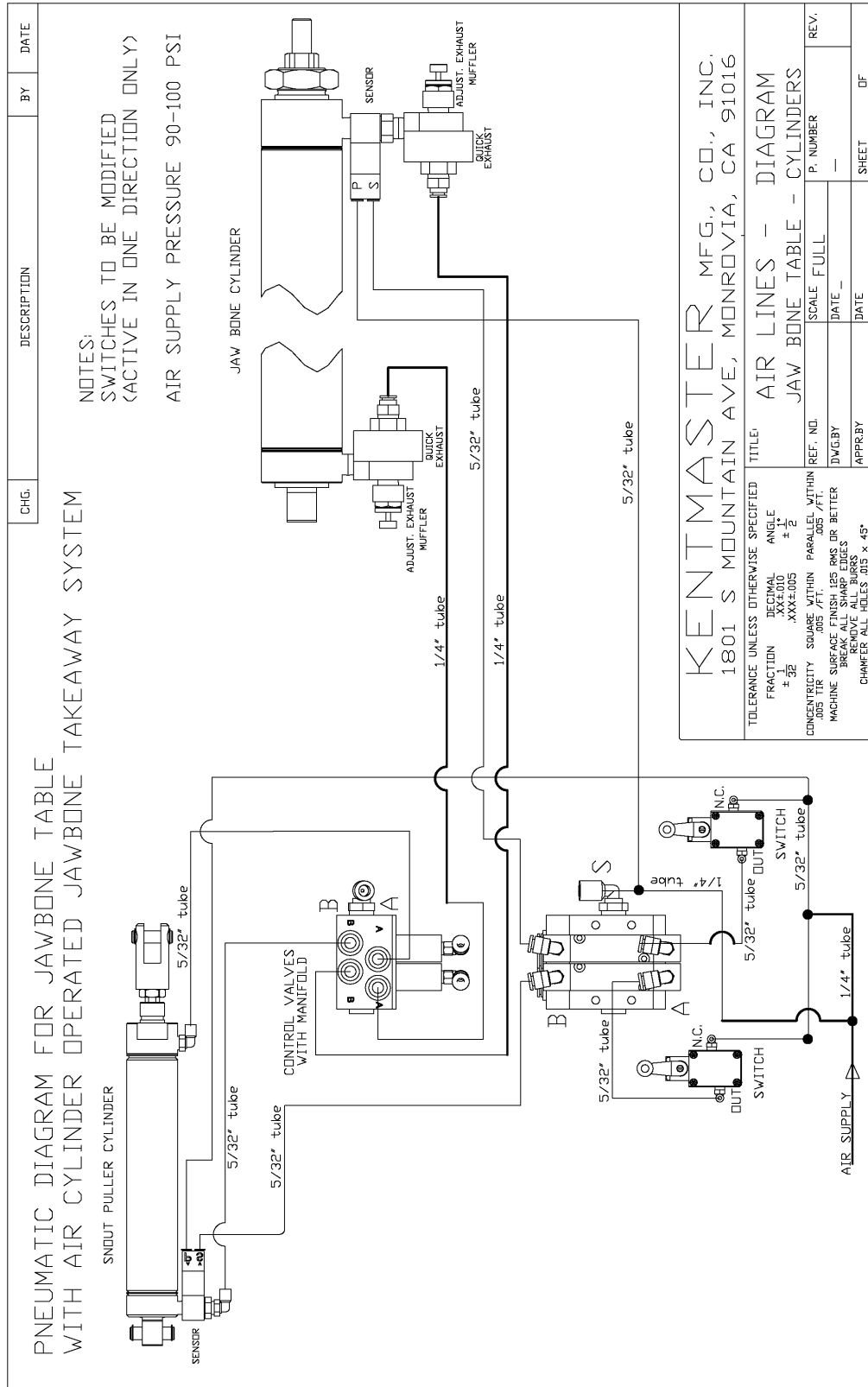


Figure 32 PNEUMATIC DIAGRAM FOR CYLINDER TAKEAWAY SYSTEM

OPTION 2: JAWBONE TAKEAWAY SYSTEM w /HYDRAULIC CONVEYOR

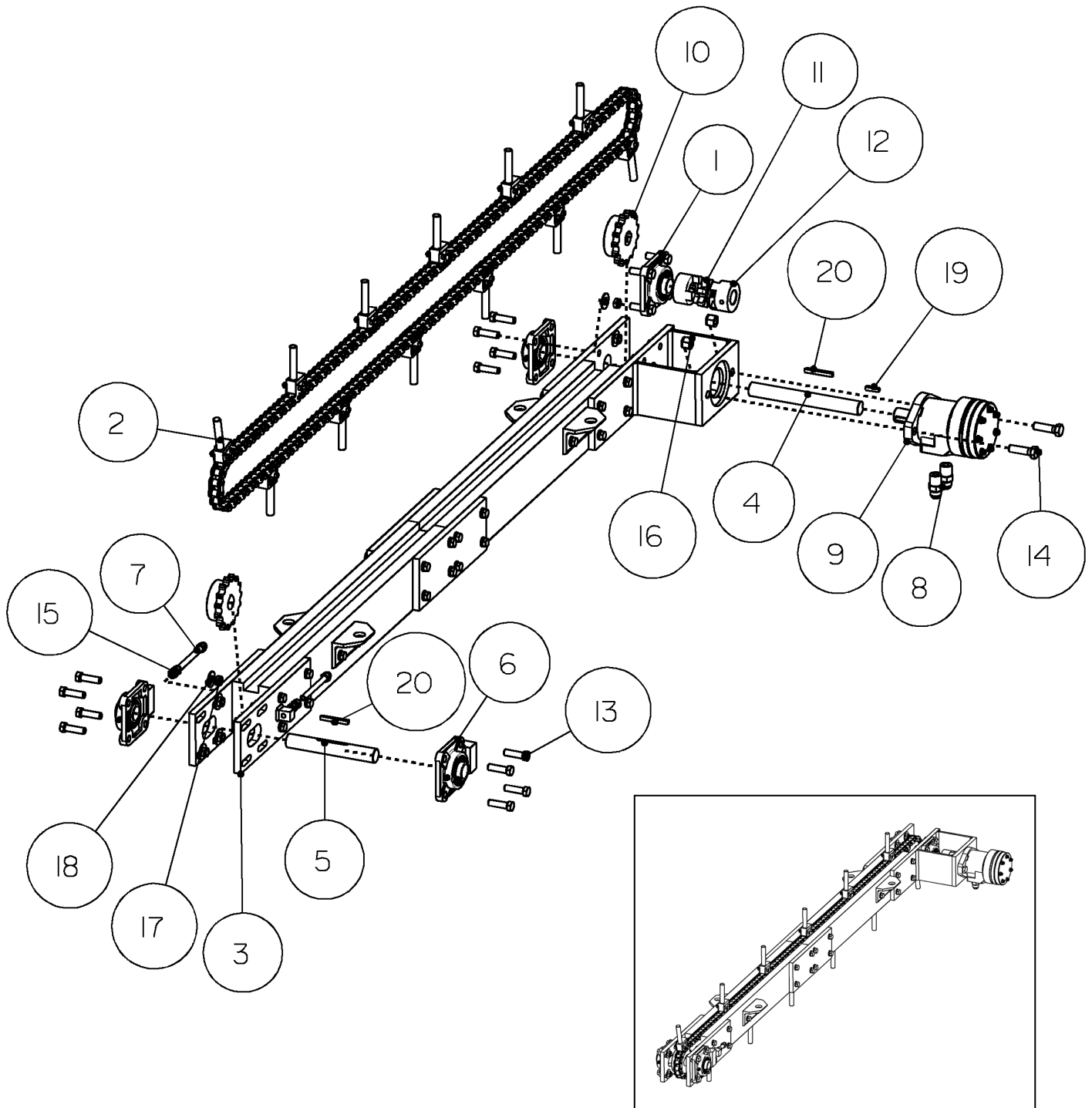
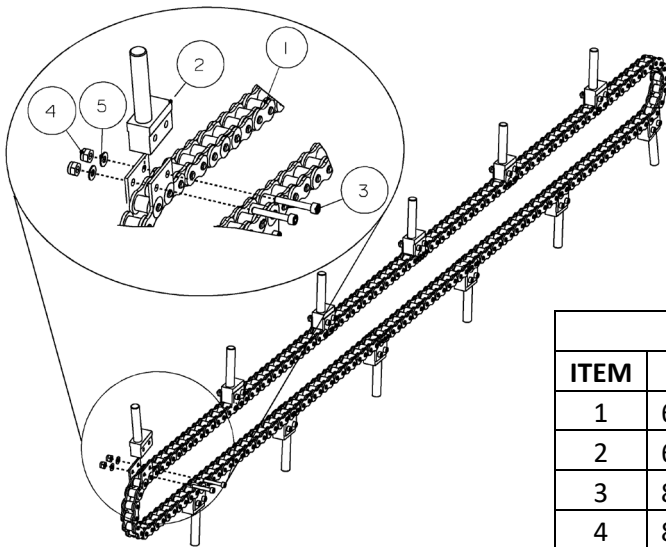


Figure 33 6655700: JAWBONE TAKEAWAY ASSEMBLY - HYDRAULIC

6655700: JAWBONE TAKE-AWAY ASSEMBLY - HYDRAULIC			
ITEM	PART #	DESCRIPTION	QTY
1	3730040	4 BOLT BEARING FLANGE UNIT	2
2	6655760	JAWBONE TAKEAWAY CHAIN WITH FINGERS	1
3	6655880	HYDRAULIC TAKE AWAY FRAME ASSEMBLY	1
4	6655900	DRIVE SHAFT	1
5	6655910	TAKE UP SHAFT	1
6	6655920	TAKE UP BEARING ASSEMBLY	2
7	6655960	ADJUSTMENT BAR 3/8-16 SS - ASS'Y	2
8	7012200	CONNECTOR	2
9	7400159	HYDRAULIC MOTOR	1
10	7400380	SPROCKET	2
11	7805130	SPIDER	1
12	7805250	COUPLING	2
13	8417590	SCREW	16
14	8418140	SCREW	2
15	8500150	NUT	4
16	8504170	NUT	2
17	8504710	NUT	16
18	8505170	WASHER	16
19	8605081	KEY	1
20	8605082	KEY	2

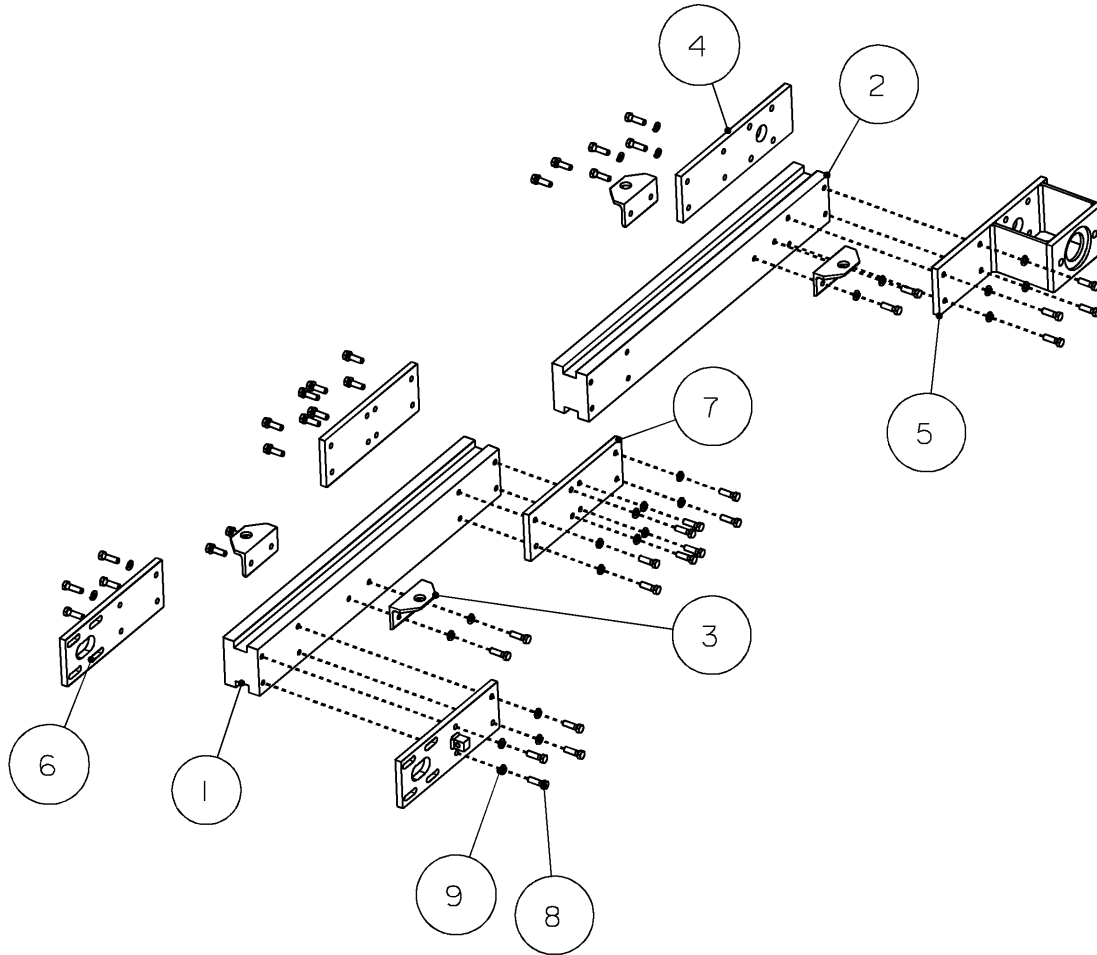
Figure 34 6655700: BOM FOR JAWBONE TAKEAWAY ASSEMBLY – HYDRAULIC



ORDER CHAIN LINK 6655712 FOR CHAIN CONNECTION

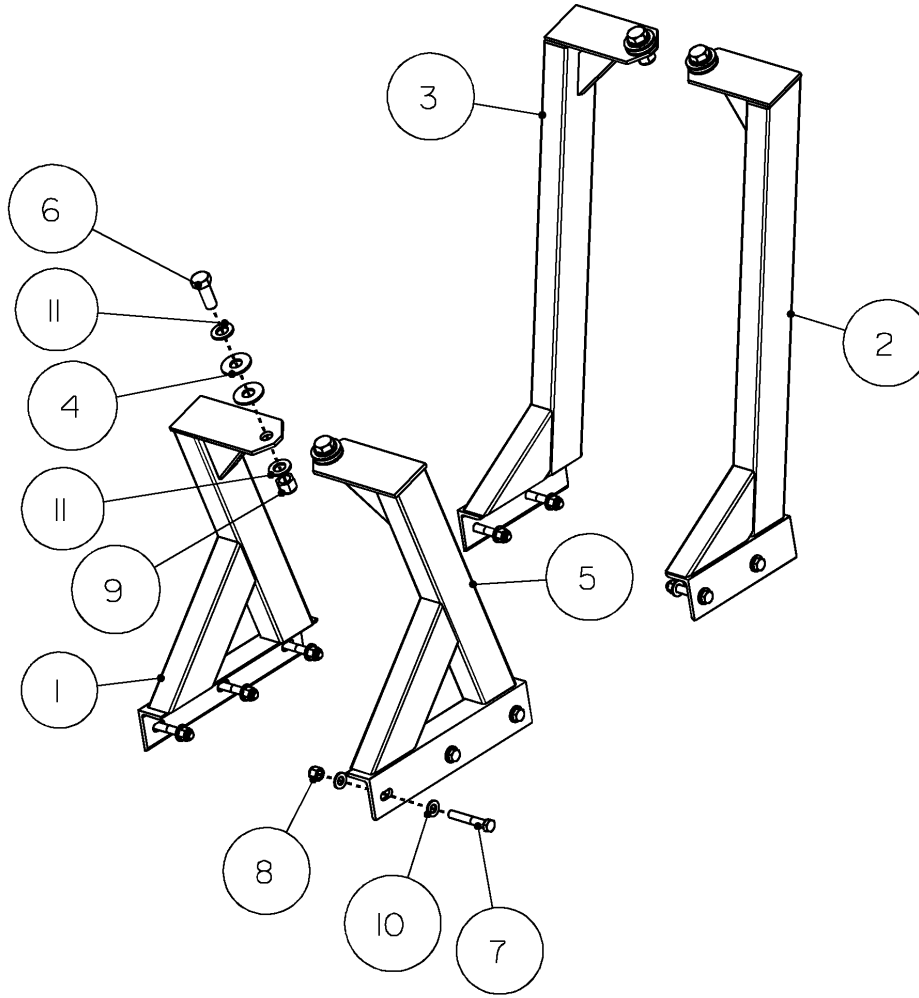
6655760: JAWBONE TAKEAWAY CHAIN WITH FINGERS			
ITEM	PART #	DESCRIPTION	QTY
1	6655710	JAWBONE ROLLER CHAIN	1
2	6655750	JAWBONE TAKEAWAY FINGER ASSEMBLY	12
3	8210100	SCREW	24
4	8504100	NUT	24
5	8505090	WASHER	24

Figure 35 6655700: BOM FOR JAWBONE TAKEAWAY ASSEMBLY – HYDRAULIC



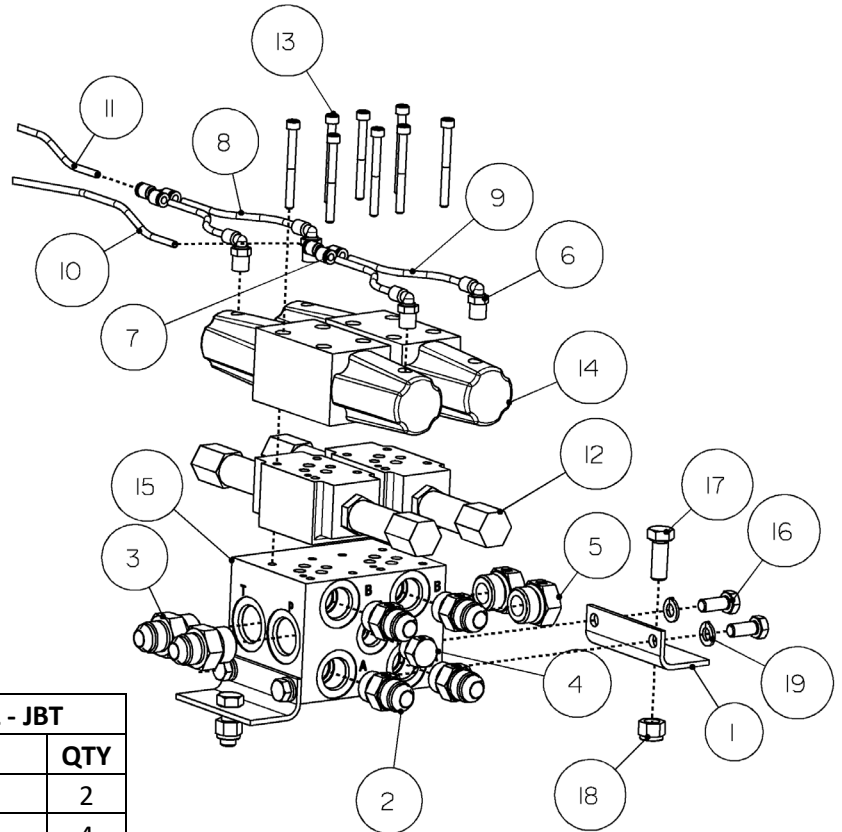
6655880: HYDRAULIC TAKE AWAY FRAME ASSEMBLY			
ITEM	PART #	DESCRIPTION	QTY
1	6655770	MAIN BEAM - TAKE-UP SIDE	1
2	6655780	MAIN BEAM - MOTOR SIDE	1
3	6655790	MOUNT ANGLE	4
4	6655820	TAKE-UP BRACKET PLATE	1
5	6655850	MOTOR BRACKET ASSEMBLY	1
6	6655870	TAKE UP PLATE ASSEMBLY	2
7	6655890	TAKE-UP BRACKET PLATE	2
8	8415100	SCREW	40
9	8506160	WASHER	40

Figure 36 6655880: HYDRAULIC TAKEAWAY FRAME ASSEMBLY



6651800: JAWBONE TAKEAWAY BRACKET ASSEMBLY			
ITEM	PART #	DESCRIPTION	QTY
1	6651810	LEFT BOTTOM BRACKET	1
2	6651820	TOP RIGHT BRACKET	1
3	6651830	TOP LEFT BRACKET	1
4	6651920	SPACER	8
5	6651930	BOTTOM RIGHT BRACKET	1
6	8414540	SCREW	4
7	8418240	SCREW	10
8	8504170	NUT	10
9	8504190	NUT	4
10	8505180	WASHER	20
11	8505220	WASHER	8

Figure 37 6651800: JAWBONE TAKEAWAY BRACKET ASSEMBLY



6651711: PILOT VALVE ASSEMBLY DUAL - JBT			
ITEM	PART #	DESCRIPTION	QTY
1	6652760	SUBPLATE BRACKET	2
2	7009580	FITTING	4
3	7009590	FITTING	2
4	7009940	Plug	1
5	7009960	Plug	2
6	7036350	ELBOW	4
7	7038150	UNION	2
8	7300840	GREEN AIR TUBE	2
9	7300850	RED AIR TUBE	2
10	7300971	RED AIR TUBE	1
11	7300981	GREEN AIR TUBE	1
12	7400390	FLOW CONTROL VALVE	2
13	7400391	BOLTS	2
14	7804860	PILOT VALVE	2
15	7850721	MANIFOLD	1
16	8413060	SCREW	4
17	8415080	SCREW	2
18	8504150	NUT	2
19	8506610	WASHER	4

Figure 38 6651711: PILOT VALVE ASSEMBLY – DUAL

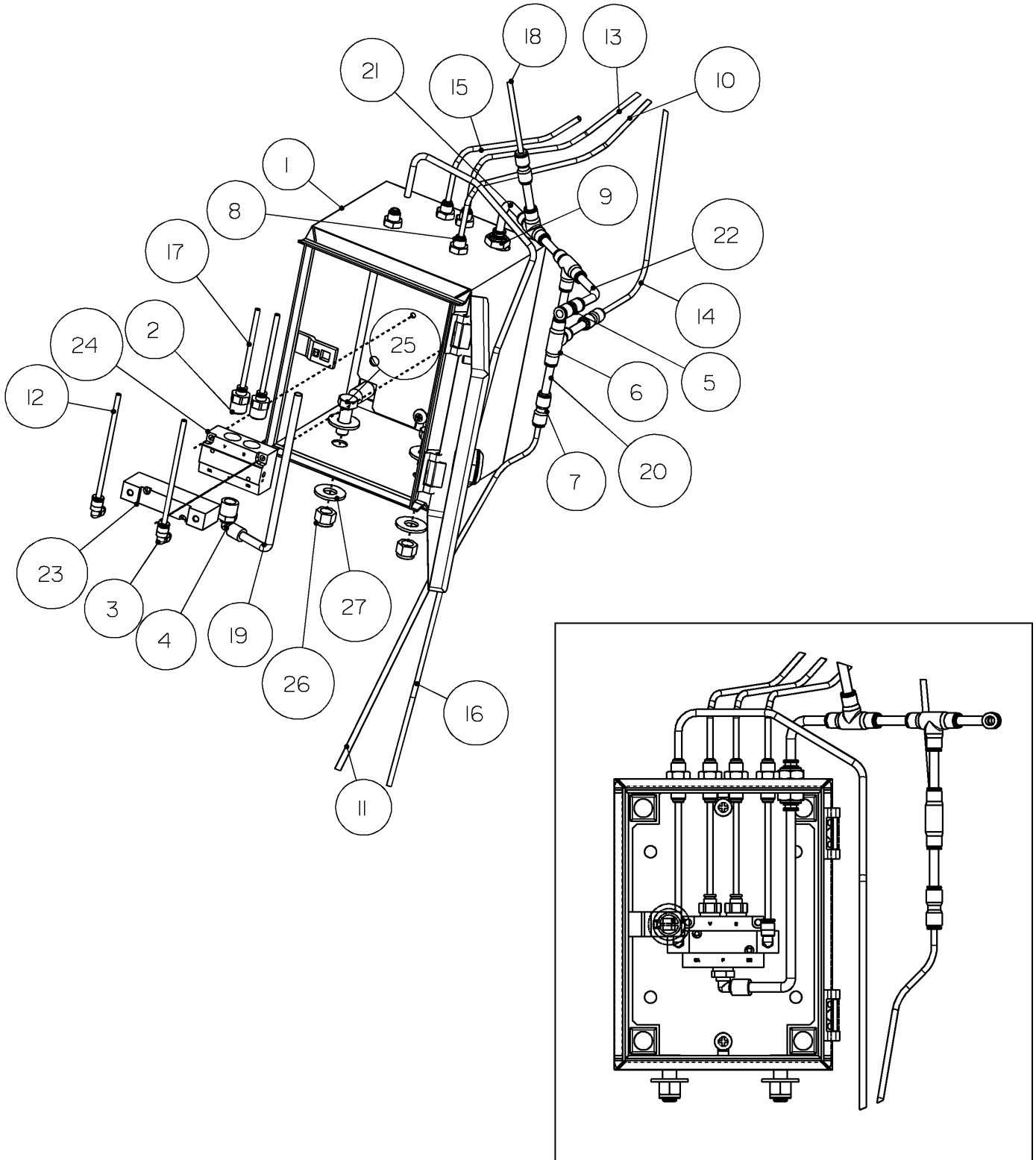


Figure 39 6650941: AIR VALVES SET for/HYDRAULIC JAWBONE TAKEAWAY SYSTEM

6650941: AIR VALVES SET for/HYDRAULIC JAWBONE TAKEAWAY SYSTEM			
ITEM	PART #	DESCRIPTION	QTY
1	6650951	AIR VALVES ENCLOSURE	1
2	7036040	FITTING	2
3	7036340	ELBOW	2
4	7036550	ELBOW	1
5	7037880	UNION	1
6	7038080	TEE	3
7	7038240	TUBE CONNECTOR	3
8	7038660	UNION	4
9	7038680	FITTING	1
10	7300510	GREEN AIR TUBE 20"	1
11	7300510	GREEN AIR TUBE, 36"	1
12	7300510	GREEN AIR TUBE, 5"	2
13	7300520	RED AIR TUBE, 10"	1
14	7300520	RED AIR TUBE, 20"	1
15	7300520	RED AIR TUBE, 20"	1
16	7300520	RED AIR TUBE, 36"	1
17	7300520	RED AIR TUBE, 5"	2
18	7300520	RED AIR TUBE, 70"	1
19	7300580	RED AIR TUBE	1
20	7300580	RED, AIR TUBE	5
21	7300580	RED AIR TUBE	1
22	7300580	RED AIR TUBE	1
23	7400268	VALVE	1
24	7400369	MANIFOLD	1
25	8415080	SCREW	2
26	8504150	NUT	2
27	8505160	WASHER	4

7300510 – AIR TUBING – GREEN – SOLD PER FOOT – 20 FEET – RECOMMENDED LENGTH
 7300520 – AIR TUBING – RED – SOLD PER FOOT – 20 FEET – RECOMMENDED LENGTH
 7300580 – AIR TUBING – RED – 1/4 – SOLD PER FOOT – 20 FEET – RECOMMENDED LENGTH

CUT AS NEEDED.

Figure 40 6650941: BOM - AIR VALVES SET for/HYDRAULIC JAWBONE TAKEAWAY SYSTEM

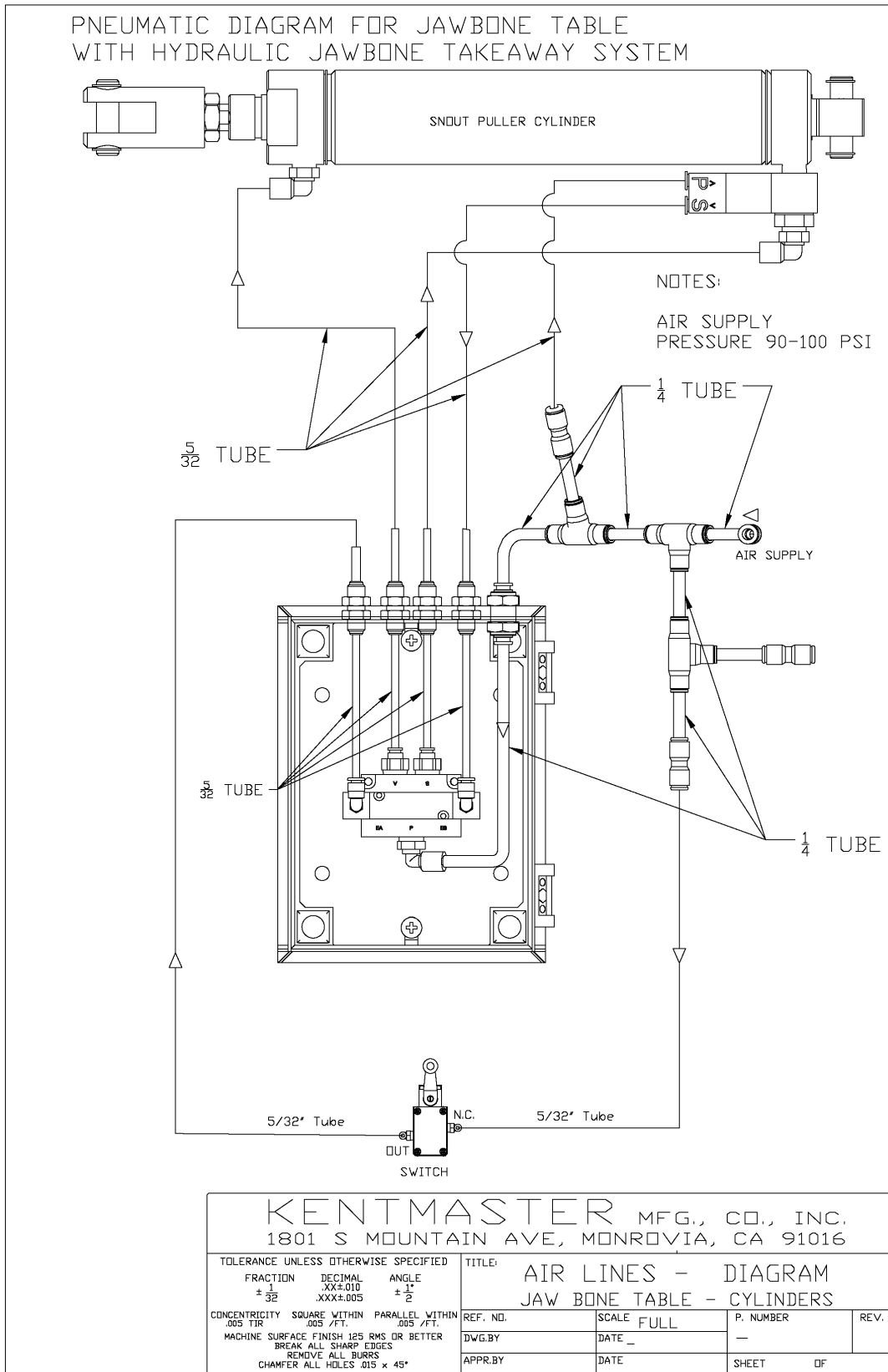
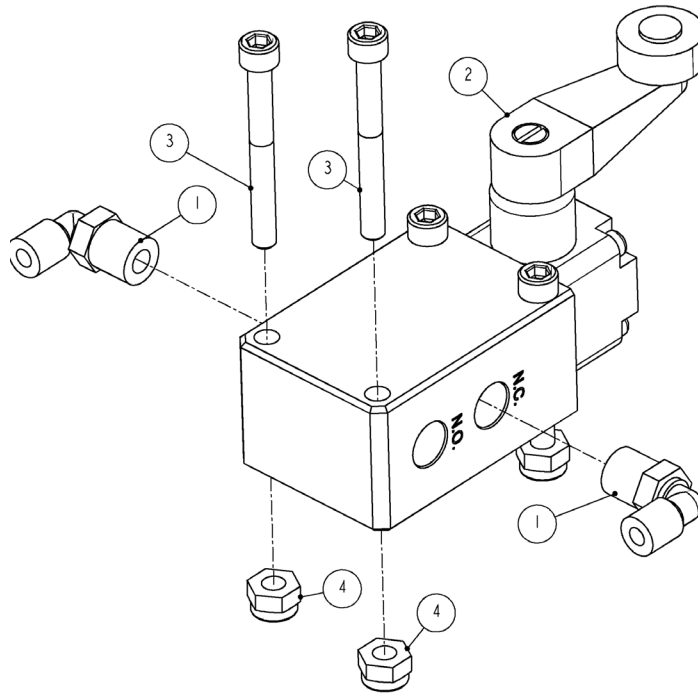
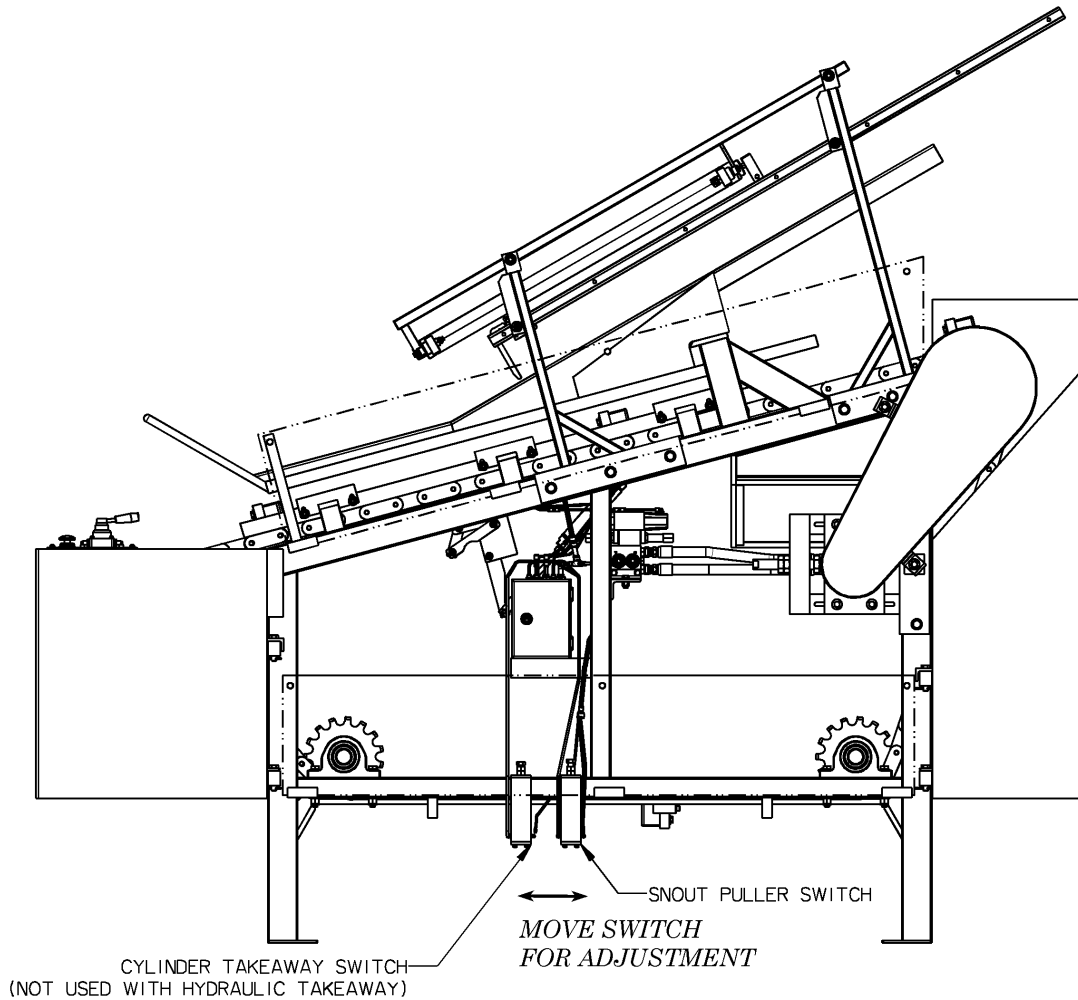


Figure 42 PNEUMATIC DIAGRAM FOR HYDRAULIC TAKEAWAY SYSTEM



6652710: LIMIT SWITCH ASSEMBLY			
ITEM	PART #	DESCRIPTION	QTY
1	7036350	ELBOW	2
2	7400171	SWITCH, LIMIT	1
3	8208140	SCREW	4
4	8504090	NUT	4

Figure 43 6652710: LIMIT SWITCH ASSEMBLY



There are two limit switches mounted to the bottom cross brace on the frame. They are activated by pusher plates attached to the conveyor chain.

Setting the activation for the Snout Puller Cylinder:

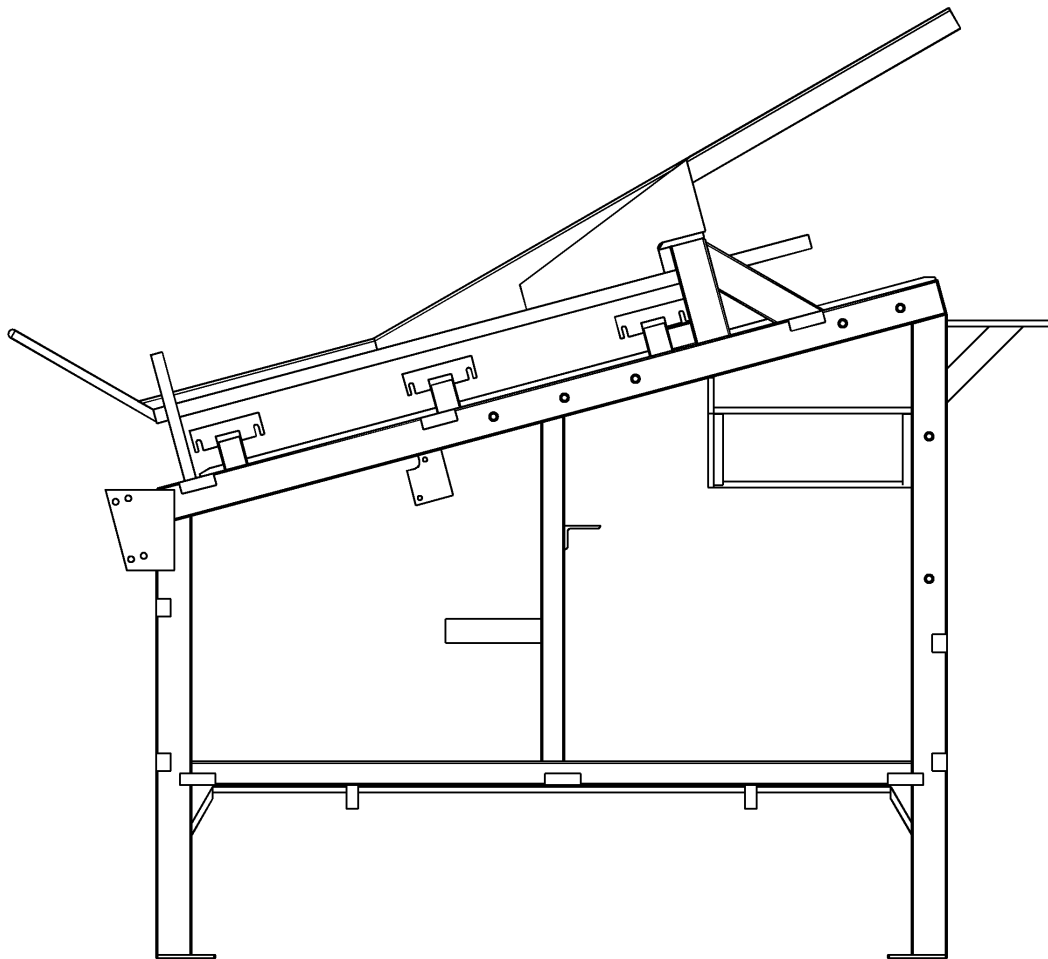
The limit switch should be set to activate the cylinder just as the snout comes in contact with the puller pins.

Setting the activation for the jawbone takeaway cylinder:

The limit switch should be set to activate just as the jawbone is removed from the head.

Figure 44 LIMIT SWITCH ADJUSTMENT

WEDGE REPLACEMENT



WEDGE ASSEMBLY 6651100

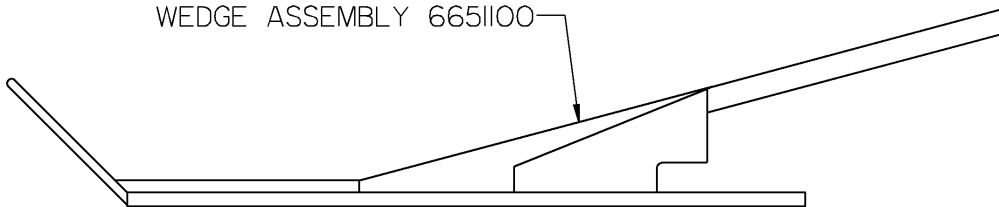
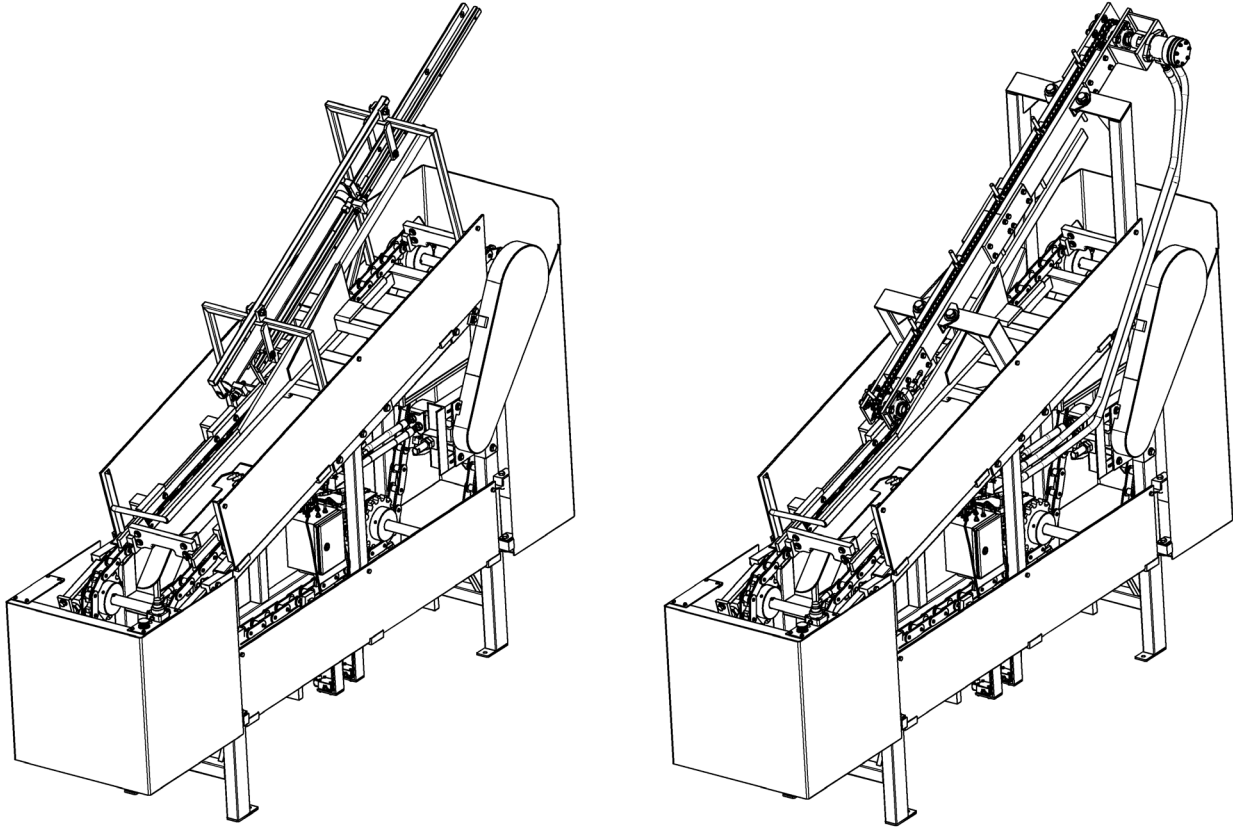


Figure 45 WEDGE REPLACEMENT

[ENGLISH]

GENERAL INFORMATION



MODEL "JBT" PORK JAWBONE TABLE

SERVICE CENTERS

KENTMASTER LTD. (U.K)
16 AVONBANK INDUSTRIAL CENTRE
WEST TOWN ROAD
AVONMOUTH - BRISTOL BS11 9DE
UNITED KINGDOM

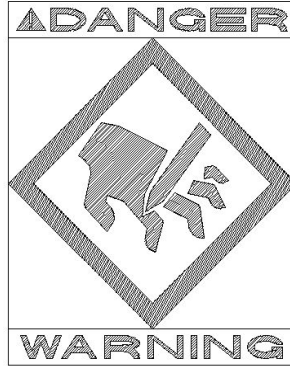
☎ TELEPHONE: ++ 44- (0) 117- 9235035
FAX: ++ 44- (0) 117- 9829010

KENTMASTER MFG. CO., INC.
1801 SOUTH MOUNTAIN AVE.
MONROVIA, CALIFORNIA 91016
UNITED STATES OF AMERICA

☎ TELEPHONE: (626) 359-8888
FAX: (626) 303-5151

NOTICE TO EMPLOYER AND PURCHASER OF TOOL
NOTICE TO SAFETY DIRECTOR

You have purchased a powerful tool that, if misused, can cause severe injury and harm to your employees. You must instruct your employees in the safe and proper use of this tool and to follow the safety procedures and instructions that have been supplied by the manufacturer of this tool. Please follow the following instructions.



1. Instruct tool operators to test the tool each day before using it to be sure it does not malfunction. Remove and repair any tool that malfunctions.
2. Instruct tool operators to immediately stop using a tool that malfunctions or is defective.
3. Instruct personnel to immediately remove all tools that malfunction. Be sure to disconnect tool from power supply.
4. Instruct all personnel to stay clear of tool, and not to stand or walk in front of, or next to tool when in use.
5. Point out to all personnel the dangers related to the misuse of tool and the importance of following safety procedures and instructions.
6. Do not make, or allow others to make, alterations or modifications to this tool. Replace all lost or illegible labels.
7. Follow all safety, installation and maintenance instructions provided with this tool. Establish proper safety procedures in accordance with local and national requirements to prevent accidental energizing of tool that can cause injuries.
8. If this tool is sold or change in ownership takes place, you must provide the new owner all safety instructions, notices and maintenance instructions you were originally provided. You can obtain additional copies of the instructions from Kentmaster, free of charge upon request.
9. Give copies of instructions to:
 - (A) Tool Operators**
 - (B) Maintenance Supervisor**
 - (C) Clean-up Supervisor**


GENERAL INFORMATION


COVERING: SAFETY PRECAUTIONS AND PLACING INTO SERVICE
PORK JAWBONE TABLE


READ THIS MANUAL CAREFULLY BEFORE INSTALLING, OPERATING OR SERVICING THIS TOOL

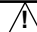
IT IS THE RESPONSIBILITY OF THE EMPLOYER TO PLACE THIS INFORMATION INTO THE HANDS OF THE OPERATOR.


PLACING INTO SERVICE

 **WARNING** = Hazards or unsafe practices which could result in severe personal injury, death or substantial property damage.

 **CAUTION** = Hazards or unsafe practices which could result in minor personal injury, product or property damage.

 **NOTICE** = Important installation, operation or maintenance information.

 **WARNING** Installation, adjustment repair and maintenance of this tool must be made by trained and qualified personnel.

 **WARNING** Always disconnect power supply from tool before:
(A) Installing or removing blade from tool.
(B) Making repairs or adjustments to the tool.
(C) performing maintenance or cleanup work.

Kentmaster Worldwide Location

Kentmaster Equipment (Aust) PTY.LTD.

Unit 2,24 Central Court
Browns Plains Qld. 4118
Australia

Telephone: (07) 3806-8400

Fax: (07) 3806-7933

Australia@Kentmaster.com

Kentmaster do Brasil, Ltda.

Av. Dr. Joao Teodoro No. 805
Bairro De Vila Rezende
13405-240 Piracicaba, SP,
Brazil

Telephone #1: (019) 3 413 3113

Telephone #2: (019)983-4973

Fax: (019) 3 413 3113

Brazil@Kentmaster.com

Kentmaster (IRL) LTD.

Benamore, Dublin Road.
Roscrea,
CO, Tipperary,
Ireland

Telephone: (353) 0505-23292

Fax: (353) 0505-23299

Ireland@Kentmaster.com

Kentmaster Equipment (NZ) LTD.

5 Cooper Street
Havelock North
New Zealand

Telephone #1: (64) 6 8777 857

Telephone #2: 0800 KENTMASTER

Fax: (64) 6 8777 858

NewZealand@Kentmaster.com

Kentmaster South Africa (PTY) LTD.

Johannesburg - S. Africa
Unit 54 Sunnyrock Park
Sunrock Close, Germiston
South Africa

Telephone: (27) 11-455-3748

Fax: (27) 11-455-3749

SouthAfrica@Kentmaster.com

Kentmaster (UK) LTD.

Unit 16 Avonbank Ind. Centre
West Town Rd, Avonmouth-Bristol,
BS11 9DE
England

Telephone: (44) 117-923-5035

Fax: (44)-117-932-9010

UK@Kentmaster.com

Kentmaster Mfg. Co., Inc.

1801 South Mountain Ave.
Monrovia, CA, 91016
USA

Telephone #1: (626) 359-8888

Telephone #2: (800) 421-1477

Fax: (626) 303-5151

info@Kentmaster.com

Kentmaster Omaha

4417 South 139th Street
Omaha, NE, 68137
USA

Telephone #1: (402) 896-3355

Telephone #2: (800) 367-3181

Fax: (402) 896-3311

Omaha@Kentmaster.com

INDEX

OPERATING AND SAFETY INSTRUCTIONS..... 2

OPERATING INSTRUCTIONS..... 3

MAINTENANCE..... 3

SERVICE..... 3

PARTS BOOK..... 4

JBT 4

HYDRAULIC MOTOR 6

SNOUT PULLER..... 9

DRIVE CHAIN COVER..... 11

DRIVE SPROCKET SET 12

IDLER SPROCKET SET 13

TAKE UP SPROCKET SET 14

FRONT AND REAR COVER 17

CONVEYOR AND DRIVE CHAIN..... 19

 CONVEYOR CHAIN AND HEAD PUSHERS..... 19

 CONVEYOR AND DRIVE CHAIN ADJUSTMENT 21

OPTION 1: JAWBONE TAKEAWAY SYSTEM w/CYLINDER..... 22

OPTION 2: JAWBONE TAKEAWAY SYSTEM w /HYDRAULIC CONVEYOR..... 30

WEDGE REPLACEMENT 41

NOTICE TO EMPLOYER AND PURCHASER OF TOOL..... 43

GENERAL INFORMATION..... 44

Kentmaster Worldwide Location 45

INDEX..... 46

FIGURES - INDEX..... 47

FIGURES - INDEX

Figure 1 MODEL “JBT” – MAIN ASSEMBLY 4

Figure 2 BOM FOR MODEL “JBT” 5

Figure 3 6650100: HYDRAULIC MOTOR ASSEMBLY 6

Figure 4 CONVEYOR CHAIN SUPPORT - POSITION..... 7

Figure 5 6650190: UPPER CHAIN SUPPORT..... 8

Figure 6 6650301: SNOUT PULLER ASSEMBLY..... 9

Figure 7 6650500: SNOUT PULLER CYLINDER..... 9

Figure 8 6650311: SNOUT PULLER, 4 PINS 10

Figure 9 6650810: DRIVE CHAIN COVER – RIGHT SIDE..... 11

Figure 10 6650100: FRAME - DIMENSIONS 11

Figure 11 6652100: DRIVE SPROCKET SET 12

Figure 12 6652000: IDLER SPROCKET SET 13

Figure 13 6652210: TAKE UP SET WITH SLIDES 14

Figure 14 6652200: TAKE UP SET 15

Figure 15 7400299: TAKE UP BEARING..... 16

Figure 16 7400158: TAKE UP BEARING..... 16

Figure 17 6652311: REAR COVER ASSEMBLY..... 17

Figure 18 6652561: FRONT COVER ASSEMBLY 17

Figure 19 6652570: CONTROL PANEL 18

Figure 20 6655510: CONVEYOR CHAIN w/PUSHERS..... 19

Figure 21 6655500: CONVEYOR CHAIN KIT..... 20

Figure 22 6655000: PUSHER BLOCK 20

Figure 23 DRIVE AND CONVEYOR CHAIN ADJUSTMENT..... 21

Figure 24 6654001: JAWBONE TAKEAWAY w/CYLINDER ASS'Y 22

Figure 25 6654000: JAWBONE CYLINDER w/BRACKET 23

Figure 26 6654100: JAWBONE CYLINDER w/CLEVIS 24

Figure 27 6654060: SLIDE ASS'Y, JAWBONE CYLINDER 25

Figure 28 6651712: PILOT VALVE ASSEMBLY – SINGLE - JBT 25

Figure 29 6650942: AIR VALVE SET FOR CYLINDER TAKEAWAY SYSTEM 26

Figure 30 6650942: BOM - AIR VALVE SET FOR CYLINDER TAKEAWAY SYSTEM..... 27

Figure 31 AIR / HYDRAULIC DIAGRAM FOR CYLINDER TAKEAWAY SYSTEM 28

Figure 32 PNEUMATIC DIAGRAM FOR CYLINDER TAKEAWAY SYSTEM 29

Figure 33 6655700: JAWBONE TAKEAWAY ASSEMBLY - HYDRAULIC 30

Figure 34 6655700: BOM FOR JAWBONE TAKEAWAY ASSEMBLY – HYDRAULIC..... 31

Figure 35 6655700: BOM FOR JAWBONE TAKEAWAY ASSEMBLY – HYDRAULIC..... 31

Figure 36 6655880: HYDRAULIC TAKEAWAY FRAME ASSEMBLY..... 32

Figure 37 6651800: JAWBONE TAKEAWAY BRACKET ASSEMBLY 33

Figure 38 6651711: PILOT VALVE ASSEMBLY – DUAL 34

Figure 39 6650941: AIR VALVES SET for/HYDRAULIC JAWBONE TAKEAWAY SYSTEM..... 35

Figure 40 6650941: BOM - AIR VALVES SET for/HYDRAULIC JAWBONE TAKEAWAY SYSTEM 36

Figure 41 AIR / HYDRAULIC DIAGRAM FOR HYDRAULIC TAKEAWAY SYSTEM 37

Figure 42 PNEUMATIC DIAGRAM FOR HYDRAULIC TAKEAWAY SYSTEM..... 38

Figure 43 6652710: LIMIT SWITCH ASSEMBLY..... 39

Figure 44 LIMIT SWITCH ADJUSTMENT..... 40

Figure 45 WEDGE REPLACEMENT..... 41