

# **BUNG GUN STERILIZER**

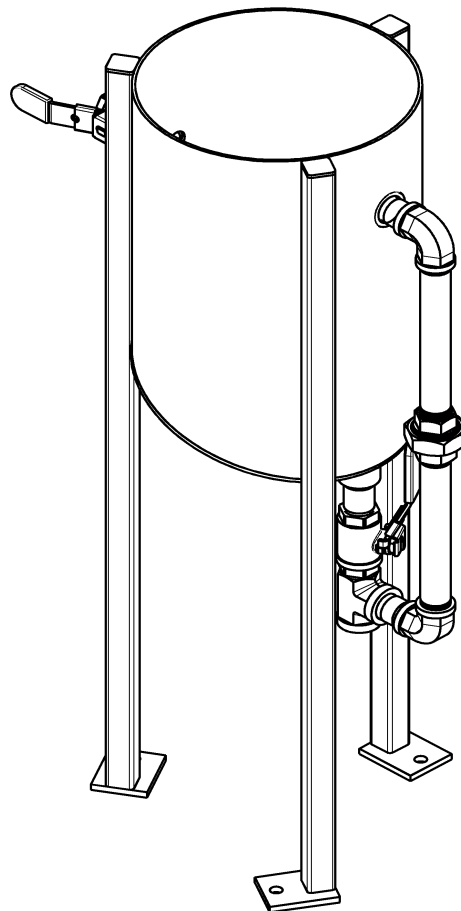
**INCLUDING: OPERATION, INSTRUCTION, INSTALLATION, MAINTENANCE AND PARTSBOOK**

**IMPORTANT: READ THIS MANUAL CAREFULLY BEFORE INSTALLING, OPERATING OR  
SERVICING THIS TOOL.**

## **BUNG GUN STERILIZER**

### **TOOL DATA**

MODEL: KENTMASTER STERILIZER  
ASSEMBLY NO: 6822300  
TYPE: HOT WATER  
NET WEIGHT: 35 LB ( 16 KG)



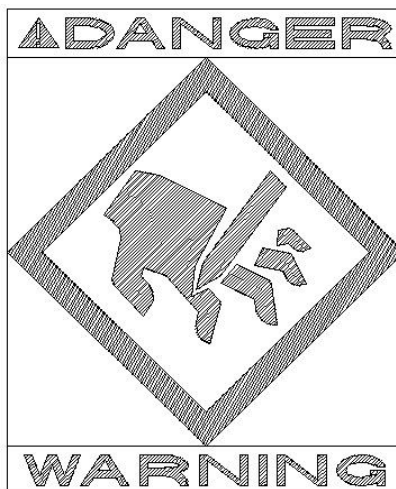
- = Hazards or unsafe practices which could result in severe personal injury, death or substantial property damage.
- = Hazards or unsafe practices which could result in minor personal injury, product or property damage.
- = Important installation, operation or maintenance information.

## OPERATING AND SAFETY INSTRUCTIONS

- ⚠ WARNING** DO NOT OPERATE THIS TOOL UNTIL YOU HAVE READ AND UNDERSTOOD THE SAFETY INSTRUCTIONS AND OPERATING MANUALS.
- ⚠ WARNING** DO NOT OPERATE THIS TOOL UNTIL YOU HAVE RECEIVED TRAINING IN THE HANDLING, OPERATION AND USE OF THIS TOOL.
- ⚠ WARNING** STOP USING A MALFUNCTIONING OR DEFECTIVE TOOL IMMEDIATELY. REPORT ANY PROBLEMS OR DEFECTS TO YOUR SUPERVISOR FOR REMOVAL OF THE TOOL FROM SERVICE.
- ⚠ WARNING** DO NOT ATTEMPT TO REPAIR THE TOOL YOURSELF.
- ⚠ WARNING** DO NOT ALLOW UNAUTHORIZED PERSONS TO USE TOOL.
- ⚠ WARNING** REMOVE AND DISCONNECT POWER FROM THE TOOL WHEN TOOL IS LEFT UNATTENDED OR IS NOT IN USE.
- ⚠ WARNING** NEVER TIE DOWN, BYPASS, ALTER OR MODIFY THE ACTIVATING SWITCHES OR TRIGGERS OF THIS TOOL.
- ⚠ WARNING** NEVER MAKE ALTERATIONS OR MODIFICATIONS TO THIS TOOL.
- ⚠ WARNING** BE CONSTANTLY AWARE AND ALERT FOR UNSAFE CONDITIONS AND REPORT THEM IMMEDIATELY TO YOUR SUPERVISOR.
- ⚠ WARNING** NEVER PLACE YOUR HAND OR ANY PART OF YOUR BODY IN THE CUTTING PATH OF THE TOOL.
- ⚠ WARNING** NEVER ALLOW ANYONE ELSE TO PLACE THEIR HANDS OR ANY PART OF THEIR BODY IN THE CUTTING PATH OF THE TOOL.
- ⚠ WARNING** DO NOT ACTIVATE CONTROL SWITCHES OR TRIGGERS OF THIS TOOL UNLESS YOU INTEND TO TEST OR OPERATE THIS TOOL.
- ⚠ WARNING** DO NOT USE THIS TOOL FOR ANY PURPOSE OTHER THAN IT'S INTENDED PURPOSE.
- ⚠ CAUTION** WHEN OPERATING THIS TOOL WEAR THE PROTECTIVE GEAR AND SAFETY EQUIPMENT SUPPLIED TO YOU.
- ⚠ WARNING** THE NOISE EMISSION (SOUND PRESSURE LEVEL) AT THE WORKSTATION MAY EXCEED 80 dB (A). EAR AND SOUND PROTECTION GEAR IS REQUIRED.

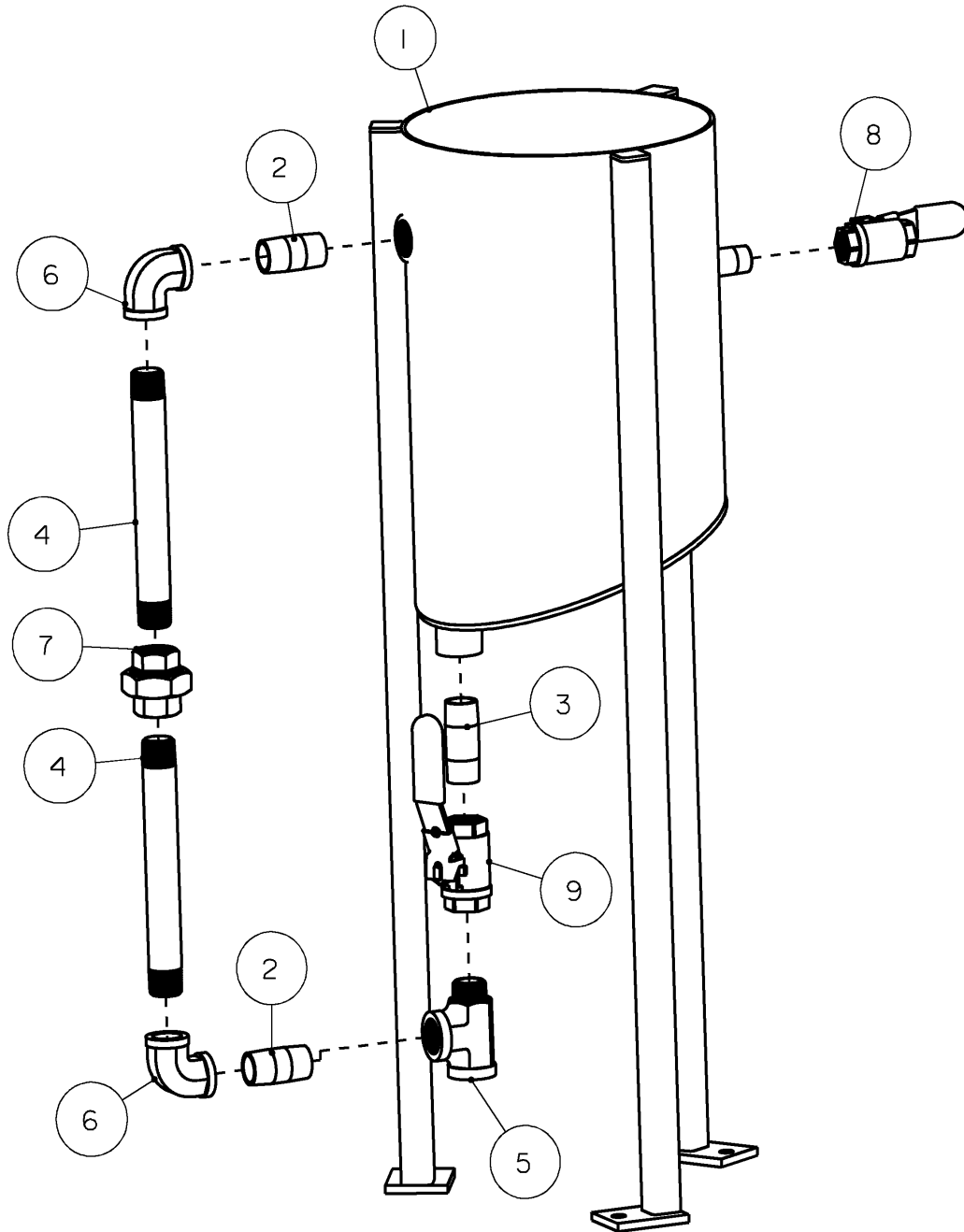
**SERVICE**

1. KEEP GOOD RECORDS OF ALL SERVICE ACTIVITY AND INCLUDE TOOL IN PREVENTIVE MAINTENANCE PROGRAM.
2. USE ONLY GENUINE KENTMASTER REPLACEMENT PARTS TO ASSURE PROPER PERFORMANCE OF TOOL.
3. CONTACT THE KENTMASTER SUPPLIER NEAREST YOU FOR PARTS AND CUSTOMER SERVICE INFORMATION.



# PARTS BOOK

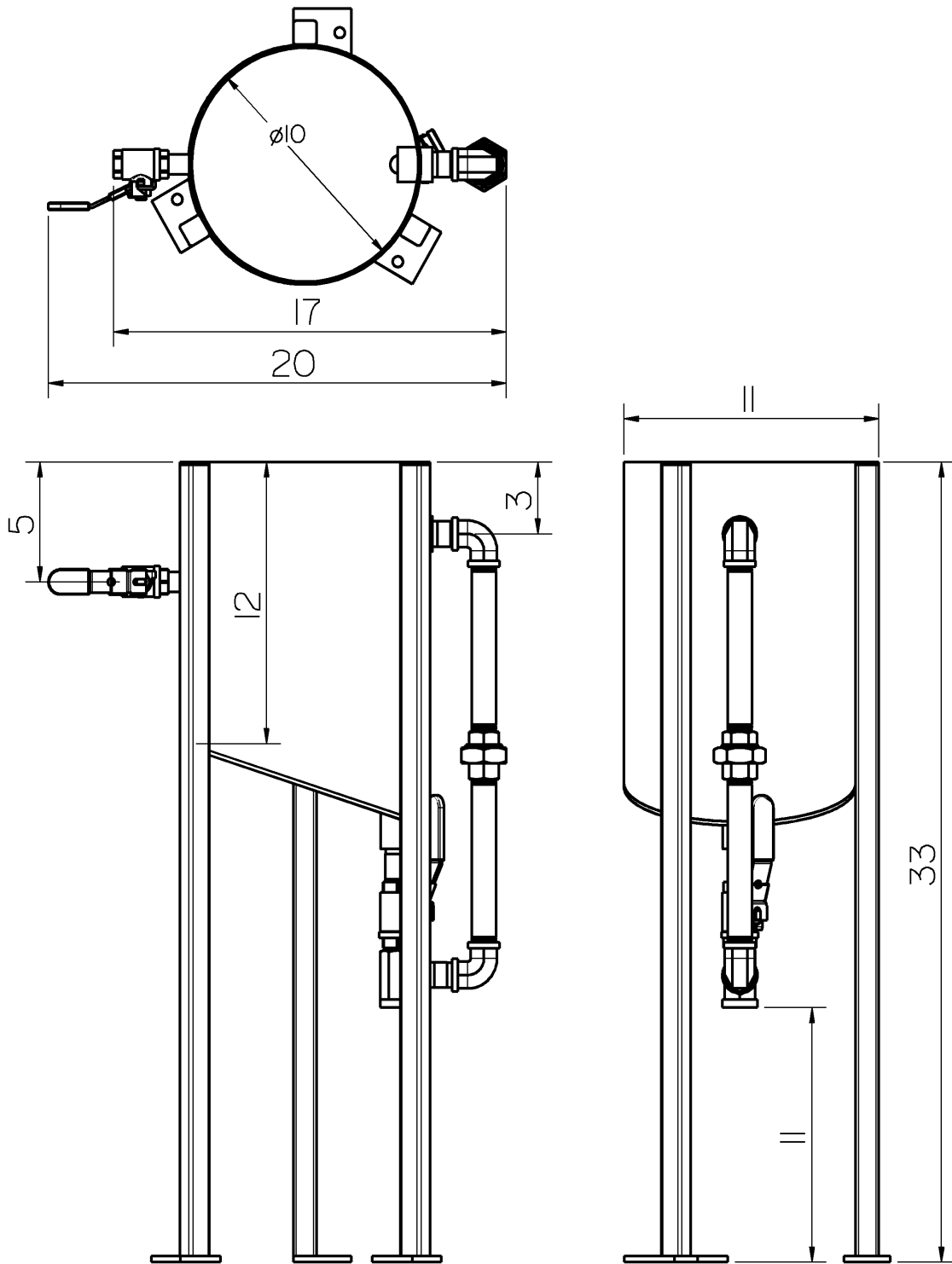
## “STERILIZER” MAIN ASSEMBLY



**Figure 1 MODEL “STERILIZER”**

<b>6822300: STERILIZER</b>			
<b>ITEM</b>	<b>PART #</b>	<b>DESCRIPTION</b>	<b>QTY</b>
1	6822390	TANK	1
2	7002000	NIPPLE	2
3	7002010	NIPPLE	1
4	7002080	NIPPLE	2
5	7004130	MALE RUN TEE	1
6	7004240	ELBOW	2
7	7005021	PIPE UNION	1
8	7025150	SHUT OFF VALVE	1
9	7025160	SHUT OFF VALVE	1

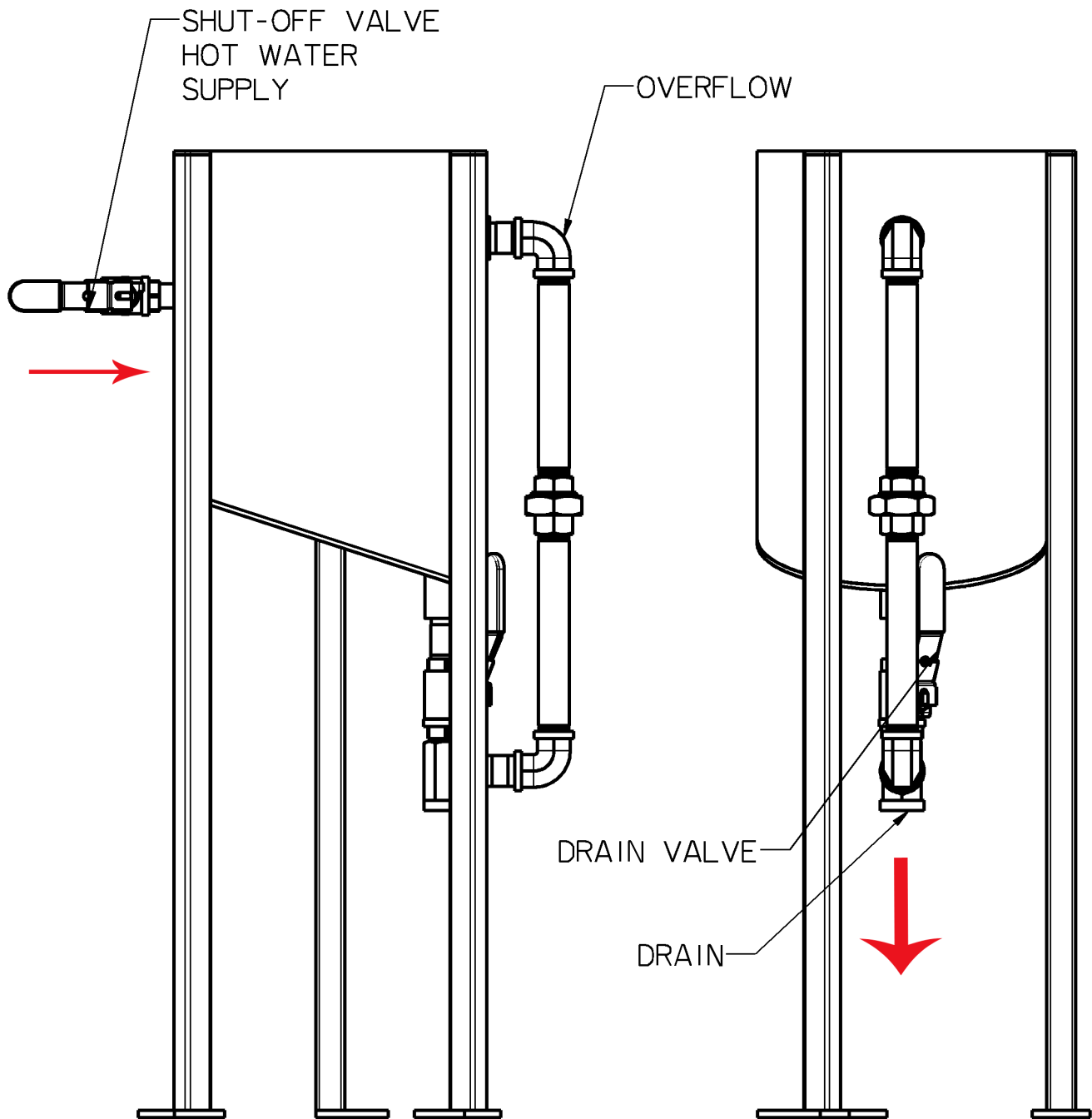
**Figure 2 BOM FOR MODEL “STERILIZER”**



ALL DIMENSIONS IN INCHES

**Figure 3 DIMENSIONS : STERILIZER**

**STERILIZER INSTALLATION**



**Figure 4 : STERILIZER - INSTALLATION DIAGRAM**

## **INSTALLATION, OPERATION AND MAINTENANCE**

### **INSTALLATION :**

1. Connect the hot water supply to “hot water shut-off valve” (7025150)
2. Close the drain valve (7025160)
3. The sterilizer will fill up and reach the overflow level and the water will drain from sterilizer.
4. Once the fresh water flow is established start using the sterilizer.

### **OPERATION AND MAINTENANCE:**

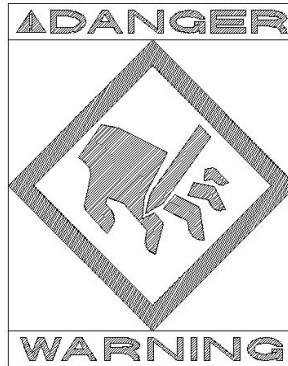
At the end of the shift:

1. Close the “hot water shut-off valve” (7025150).
2. Open the drain valve (7025160).
3. Empty the tank and inspect it.
4. Check if the pipes and valves are clogged and clean it.
5. Clean the tank.



**NOTICE TO EMPLOYER AND PURCHASER OF TOOL**  
**NOTICE TO SAFETY DIRECTOR**

**You have purchased a powerful tool that, if misused, can cause severe injury and harm to your employees. You must instruct your employees in the safe and proper use of this tool and to follow the safety procedures and instructions that have been supplied by the manufacturer of this tool. Please follow the following instructions.**



1. Instruct tool operators to test the tool each day before using it to be sure it does not malfunction. Remove and repair any tool that malfunctions.
2. Instruct tool operators to immediately stop using a tool that malfunctions or is defective.
3. Instruct personnel to immediately remove all tools that malfunction. Be sure to disconnect tool from power supply.
4. Instruct all personnel to stay clear of tool, and not to stand or walk in front of, or next to tool when in use.
5. Point out to all personnel the dangers related to the misuse of tool and the importance of following safety procedures and instructions.
6. Do not make, or allow others to make, alterations or modifications to this tool. Replace all lost or illegible labels.
7. Follow all safety, installation and maintenance instructions provided with this tool. Establish proper safety procedures in accordance with local and national requirements to prevent accidental energizing of tool that can cause injuries.
8. If this tool is sold or change in ownership takes place, you must provide the new owner all safety instructions, notices and maintenance instructions you were originally provided. You can obtain additional copies of the instructions from Kentmaster, free of charge upon request.
9. Give copies of instructions to:
  - (A) Tool Operators
  - (B) Maintenance Supervisor
  - (C) Clean-up Supervisor

## GENERAL INFORMATION

COVERING: SAFETY PRECAUTIONS AND PLACING INTO SERVICE  
**STERILIZER SYSTEM**

**READ THIS MANUAL CAREFULLY BEFORE INSTALLING, OPERATING OR SERVICING  
THIS TOOL**

IT IS THE RESPONSIBILITY OF THE EMPLOYER TO PLACE THIS INFORMATION INTO THE HANDS OF THE OPERATOR.

### PLACING INTO SERVICE

 **WARNING**

= Hazards or unsafe practices which could result in severe personal injury, death or substantial property damage.

 **CAUTION**

= Hazards or unsafe practices which could result in minor personal injury, product or property damage.

 **NOTICE**

= Important installation, operation or maintenance information.

 **WARNING**

Installation, adjustment repair and maintenance of this tool must be made by trained and qualified personnel.

 **WARNING**

Always disconnect power supply from tool before:  
(A) Installing or removing blade from tool.  
(B) Making repairs or adjustments to the tool.  
(C) performing maintenance or cleanup work.

## Kentmaster Worldwide Location

Kentmaster Equipment (Aust) PTY.LTD.

Unit 2,24 Central Court  
Browns Plains Qld. 4118  
Australia

Telephone: (07) 3806-8400  
Fax: (07) 3806-7933  
[Australia@Kentmaster.com](mailto:Australia@Kentmaster.com)

---

Kentmaster do Brasil, Ltda.  
Av. Dr. Joao Teodoro No. 805  
Bairro De Vila Rezende  
13405-240 Piracicaba, SP,  
Brazil

Telephone #1: (019) 3 413 3113  
Telephone #2: (019)983-4973  
Fax: (019) 3 413 3113  
[Brazil@Kentmaster.com](mailto:Brazil@Kentmaster.com)

---

Kentmaster (IRL) LTD.  
Benamore, Dublin Road.  
Roscrea,  
CO, Tipperary,  
Ireland

Telephone: (353) 0505-23292  
Fax: (353) 0505-23299  
[Ireland@Kentmaster.com](mailto:Ireland@Kentmaster.com)

---

Kentmaster Equipment (NZ) LTD.  
1/88 Ford Road  
Onekawa  
Napier 4110  
New Zealand

Telephone #1: (64) 6 835 2471  
Fax: (64) 6 877 7857  
[NewZealand@Kentmaster.com](mailto:NewZealand@Kentmaster.com)

---

Kentmaster South Africa (PTY) LTD.  
Johannesburg - S. Africa  
Unit 54 Sunnyrock Park  
Sunrock Close, Germiston  
South Africa

Telephone: (27) 11-455-3748  
Fax: (27) 11-455-3749  
[SouthAfrica@Kentmaster.com](mailto:SouthAfrica@Kentmaster.com)

---

Kentmaster (UK ) LTD.  
Unit 16 Avonbank Ind. Centre  
West Town Rd, Avonmouth-Bristol,  
BS11 9DE  
England

Telephone: (44) 117-923-5035  
Fax: (44)-117-932-9010  
[UK@Kentmaster.com](mailto:UK@Kentmaster.com)

---

Kentmaster Mfg. Co., Inc.  
1801 South Mountain Ave.  
Monrovia, CA, 91016  
USA

Telephone #1: (626) 359-8888  
Telephone #2: (800) 421-1477  
Fax: (626) 303-5151  
[info@Kentmaster.com](mailto:info@Kentmaster.com)

---

Kentmaster Omaha  
4417 South 139th Street  
Omaha, NE, 68137  
USA

Telephone #1: (402) 896-3355  
Telephone #2: (800) 367-3181  
Fax: (402) 896-3311  
[Omaha@Kentmaster.com](mailto:Omaha@Kentmaster.com)

---

**INDEX**

*OPERATING AND SAFETY INSTRUCTIONS*.....2  
     *SERVICE*.....3  
*PARTS BOOK*.....4  
     “STERILIZER” MAIN ASSEMBLY.....4  
     STERILIZER INSTALLATION.....7  
     INSTALLATION, OPERATION AND MAINTENANCE.....8  
*NOTICE TO EMPLOYER AND PURCHASER OF TOOL*.....9  
*GENERAL INFORMATION*.....10  
*Kentmaster Worldwide Location*.....11  
*INDEX*.....12  
*FIGURES - INDEX*.....12

**FIGURES - INDEX**

*Figure 1 MODEL “STERILIZER”*.....4  
*Figure 2 BOM FOR MODEL “STERILIZER”*.....5  
*Figure 3 DIMENSIONS : STERILIZER*.....6  
*Figure 4 : STERILIZER - INSTALLATION DIAGRAM*.....7