

RNC-1

# RNC-1

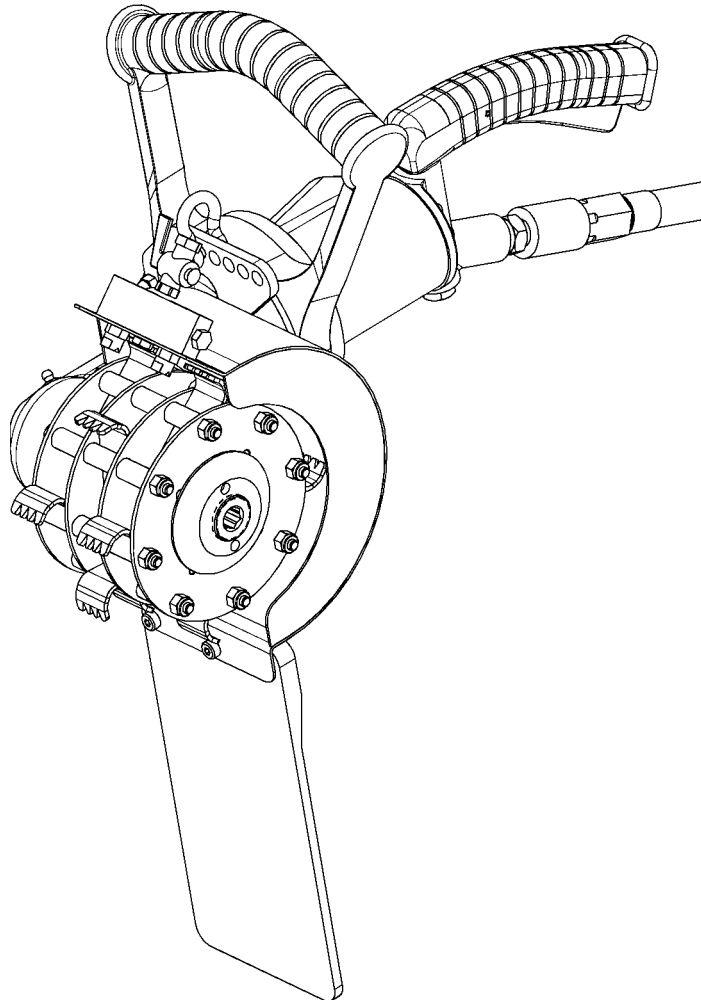
INCLUDING: OPERATION, INSTRUCTION, INSTALLATION, MAINTENANCE AND PARTSBOOK

**IMPORTANT: READ THIS MANUAL CAREFULLY BEFORE INSTALLING, OPERATING OR  
SERVICING THIS TOOL.**

## ROTO NECK CLEANER

### TOOL DATA

MODEL: RNC-1  
ASSEMBY NO. 6100000  
TYPE: AIR OPERATED  
NET WEIGHT: 36.0 LBS  
INLET AIR PRESSURE: 90 P.S.I. (6 BARS), 40 CFM



**WARNING**

= Hazards or unsafe practices which could result in severe personal injury, death or substantial property damage.

**CAUTION**

= Hazards or unsafe practices which could result in minor personal injury, product or property damage.

**NOTICE**

= Important installation, operation or maintenance information.

## **OPERATING AND SAFETY INSTRUCTIONS**

**WARNING**

DO NOT OPERATE THIS TOOL UNTIL YOU HAVE READ AND UNDERSTOOD THE SAFETY INSTRUCTIONS AND OPERATING MANUALS.

**WARNING**

DO NOT OPERATE THIS TOOL UNTIL YOU HAVE RECEIVED TRAINING IN THE HANDLING, OPERATION AND USE OF THIS TOOL.

**WARNING**

STOP USING A MALFUNCTIONING OR DEFECTIVE TOOL IMMEDIATELY. REPORT ANY PROBLEMS OR DEFECTS TO YOUR SUPERVISOR FOR REMOVAL OF THE TOOL FROM SERVICE.

**WARNING**

DO NOT ATTEMPT TO REPAIR THE TOOL YOURSELF.

**WARNING**

DO NOT ALLOW UNAUTHORIZED PERSONS TO USE TOOL.

**WARNING**

REMOVE AND DISCONNECT POWER FROM THE TOOL WHEN TOOL IS LEFT UNATTENDED OR IS NOT IN USE.

**WARNING**

NEVER TIE DOWN, BYPASS, ALTER OR MODIFY THE ACTIVATING SWITCHES OR TRIGGERS OF THIS TOOL.

**WARNING**

NEVER MAKE ALTERATIONS OR MODIFICATIONS TO THIS TOOL.

**WARNING**

BE CONSTANTLY AWARE AND ALERT FOR UNSAFE CONDITIONS AND REPORT THEM IMMEDIATELY TO YOUR SUPERVISOR.

**WARNING**

NEVER PLACE YOUR HAND OR ANY PART OF YOUR BODY IN THE CUTTING PATH OF THE TOOL.

**WARNING**

NEVER ALLOW ANYONE ELSE TO PLACE THEIR HANDS OR ANY PART OF THEIR BODY IN THE CUTTING PATH OF THE TOOL.

**WARNING**

DO NOT ACTIVATE CONTROL SWITCHES OR TRIGGERS OF THIS TOOL UNLESS YOU INTEND TO TEST OR OPERATE THIS TOOL.

**WARNING**

DO NOT USE THIS TOOL FOR ANY PURPOSE OTHER THAN IT'S INTENDED PURPOSE.

WHEN OPERATING THIS TOOL WEAR THE PROTECTIVE GEAR AND SAFETY EQUIPMENT SUPPLIED TO YOU.

**CAUTION**

THE NOISE EMISSION (SOUND PRESSURE LEVEL) AT THE WORKSTATION MAY EXCEED 80 dB (A). EAR AND SOUND PROTECTION GEAR IS REQUIRED.

**WARNING**

RNC-1  
**OPERATING INSTRUCTIONS**

**⚠ WARNING** ONLY TRAINED PERSONNEL ARE TO OPERATE THIS TOOL.

1. TO ENSURE TOOL IS OPERATING PROPERLY, PERFORM FOLLOWING STEPS AT START OF EACH SHIFT:
  - MAKE SURE TOOL MOVES UP AND DOWN FREELY WHILE HANGING FROM BALANCER OVERHEAD.
  - WITH POWER TO TOOL TURNED ON, TEST TRIGGER FOR PROPER OPERATION.
  - DEPRESS EACH TRIGGER SEPARATELY. TOOL SHOULD NOT ACTIVATE. DEPRESS BOTH TRIGGERS. TOOL SHOULD ACTIVATE.
  - IF TOOL HAS "ANTI-TIE DOWN" OPTION, BOTH TRIGGERS MUST BE DEPRESSED SIMULTANEOUSLY FOR TOOL TO ACTIVATE.
2. TO PERFORM WORK, HOLD TOOL FIRMLY AT BOTH HANDLES. SQUEEZE TRIGGERS TO ACTIVATE TOOL.
3. DO NOT EXERT EXCESSIVE PRESSURE. ALLOW TIME FOR THE TOOL TO CUT.
4. TOOL REQUIRES 40 S.C.F.M. OF AIR @ 90 P.S.I. AIR PRESSURE.

**MAINTENANCE**

**⚠ WARNING** ONLY TRAINED AND QUALIFIED PERSONNEL ARE TO PERFORM MAINTENANCE AND SERVICE TO THIS TOOL.

1. FILL LUBRICATOR WITH KENTMASTER AIR MIST OIL (PART NO. 7903050). SET DRIP RATE ACCORDING TO INSTRUCTIONS SUPPLIED.
2. TOOL REQUIRES GREASING AT START OF EVERY SHIFT. GREASE THREE LOCATIONS USING KENTMASTER GREASE GUN (PART NO. 4501470) AND KENTMASTER GREASE (PART NO. 7903070).
3. FLUSH AIR MOTOR AT END OF EACH DAY'S USE BY SQUIRTING A FEW SQUIRTS OF KENTMASTER AIR OIL MIST (PART NO. 7903050) DIRECTLY INTO THE AIR INLET PORT. RUN TOOL A FEW SECONDS TO COAT AND PROTECT THE AIR MOTOR AND INTERNAL PARTS OF TOOL.
4. AN AIR FILTER-REGULATOR-LUBRICATOR (PART NO. 7200140) MUST BE INSTALLED IN AIR SUPPLY FOR EACH TOOL.

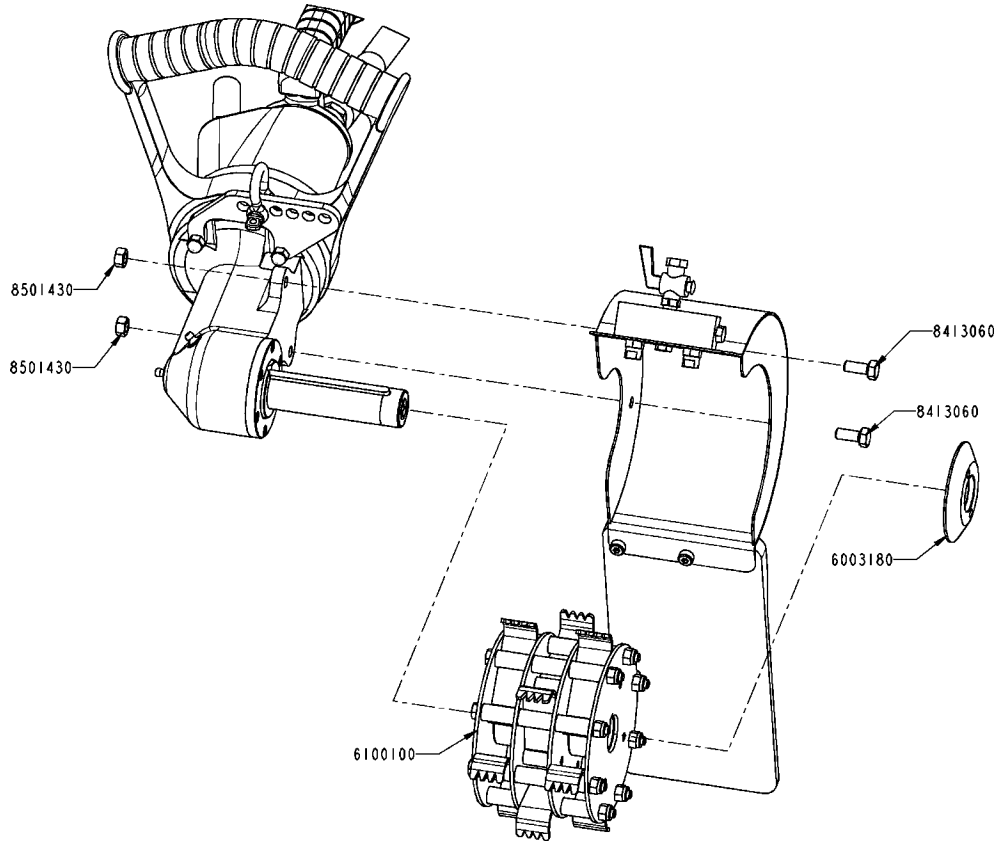
**WHEEL REMOVAL AND CLEANING**

**⚠ WARNING** ALWAYS DISCONNECT POWER SUPPLY FROM TOOL BEFORE INSTALLING OR REMOVING WHEEL FROM TOOL.

**⚠ WARNING** ALWAYS WEAR WIRE MESH GLOVES WHEN INSTALLING OR REMOVING WHEEL FROM TOOL.

1. TO REMOVE WHEEL (PART NO. 6100100), LOOSEN AND REMOVE PART 6003180, TWO (2) SCREWS (PART NO. 8413060) AND TWO (2) NUTS (PART NO. 8501430), FIGURE 1.
2. CLEAN ALL PARTS REMOVED WITH SOAP AND WATER.
3. SHARPEN OR REPLACE SCRAPERS WHEN NECESSARY.
4. REASSEMBLE ALL PARTS IN REVERSE ORDER.

## RNC-1



**Figure 1 RNC-1**

### SERVICE

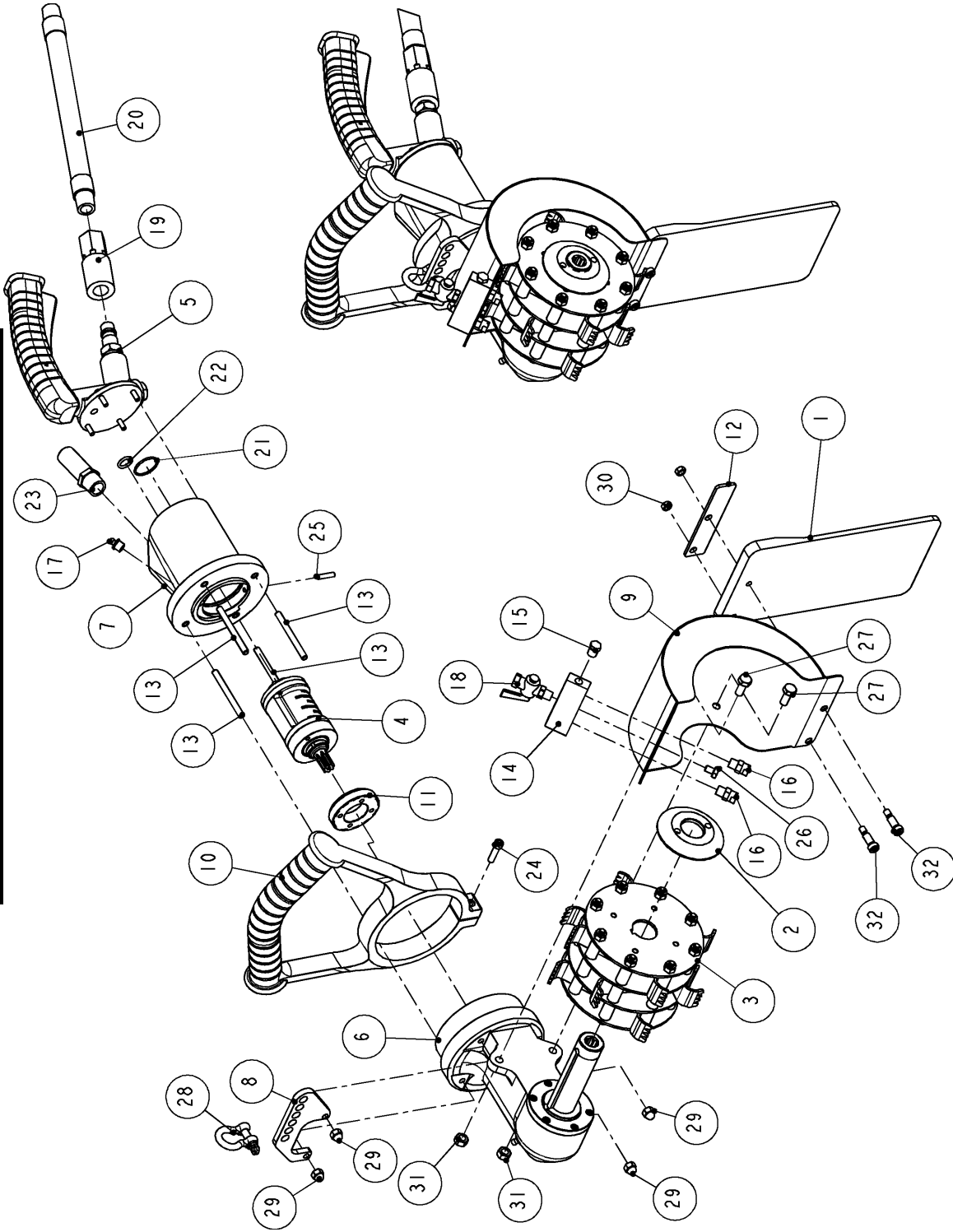
1. KEEP GOOD RECORDS OF ALL SERVICE ACTIVITY AND INCLUDE TOOL IN PREVENTIVE MAINTENANCE PROGRAM.
2. USE ONLY GENUINE KENTMASTER REPLACEMENT PARTS TO ASSURE PROPER PERFORMANCE OF TOOL.
3. CONTACT THE KENTMASTER SUPPLIER NEAREST YOU FOR PARTS AND CUSTOMER SERVICE INFORMATION.



### PARTS BOOK

**KENTMASTER MFG. CO., INC.** 1801 SOUTH MOUNTAIN AVE., MONROVIA, CALIFORNIA 91016 UNITED STATES OF AMERICA  
① TELEPHONE: (626) 359-8888 FAX: (626) 303-5151

RNC-1  
**MODEL RNC-1, ROTO NECK CLEANER**



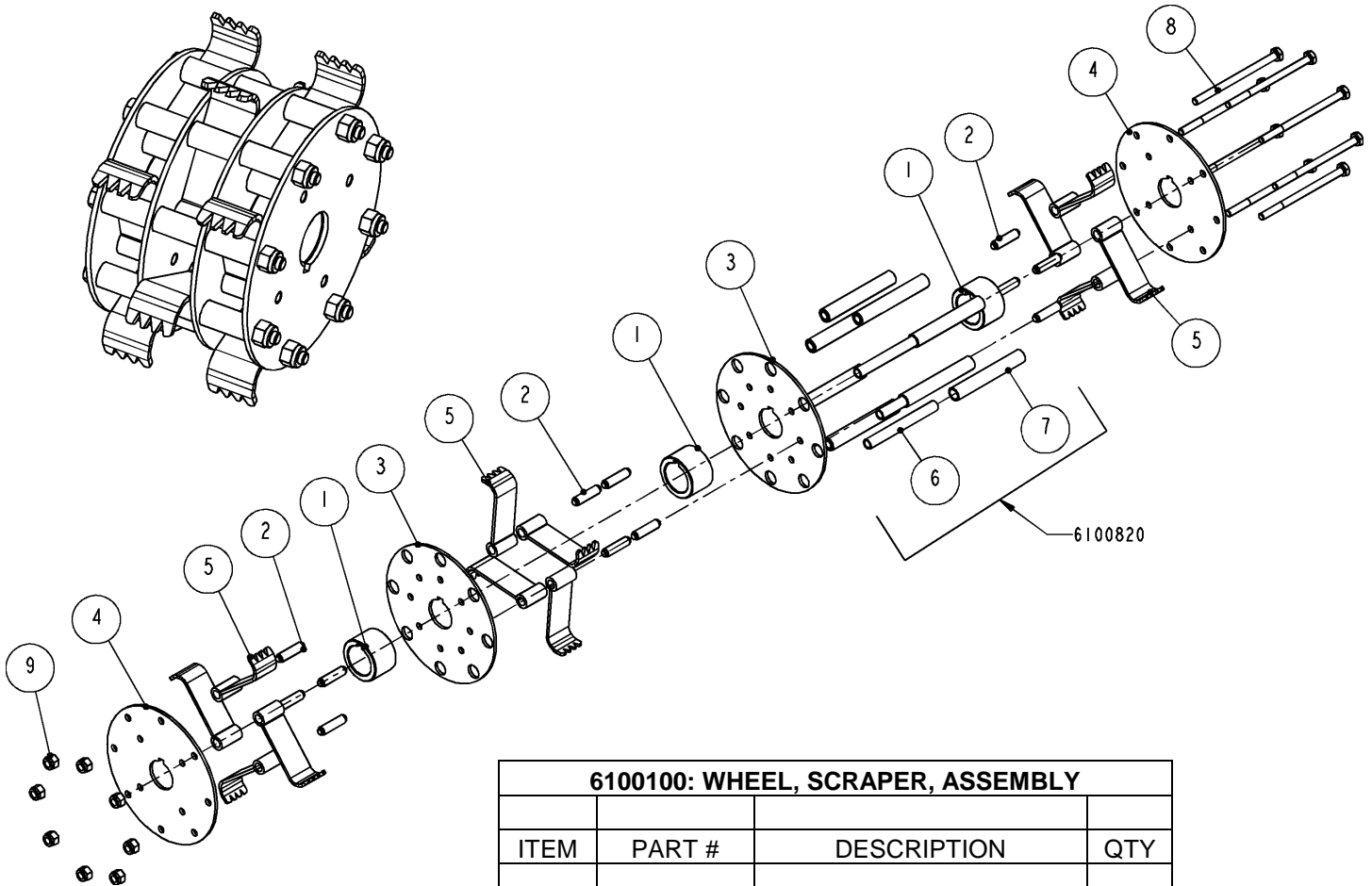
**Figure 2 MODEL RNC-1**

RNC-1

<b>610000: RNC-1, ROTO NECK CLEANER</b>			
ITEM	PART #	DESCRIPTION	QTY
1	1300180	SPLASH GUARD	1
2	6003180	NUT - BLADE	1
3	6100100	WHEEL ASSEMBLY	1
4	6100170	AIR MOTOR ASSEMBLY	1
5	6100180	REAR HANDLE, ASSEMBLY	1
6	6100200	NOSE ASSEMBLY	1
7	6100500	HOUSING, AIR MOTOR	1
8	6100700	HANGER	1
9	6100710	GUARD, WHEEL	1
10	6100730	HANDLE, FRONT	1
11	6100750	RETAINER, MOTOR	1
12	6100790	PLATE, SPLASH GUARD	1
13	6100800	STUD	4
14	6100810	MANIFOLD	1
15	7003800	PLUG	1
16	7011650	SPRAY NOZLE	2
17	7018200	LUBE FITTING	1
18	7025110	SHUT OFF VALVE	1
19	7034260	FEMALE SOCKET	1
20	7310040	AIR HOSE	1
21	7680220	O-RING	1
22	7681120	O-RING	1
23	7802200	MUFFLR, AIR EXHAUST	1
24	8211080	SCREW	1
25	8337070	SET SCREW	1
26	8411030	SCREW	1
27	8413060	SCREW	2
28	8462020	ANCHOR SHACKLE	1
29	8501110	NUT	4
30	8501410	NUT	2
31	8501430	NUT	2
32	8870220	SCREW	2

**Figure 3 BOM FOR MODEL RNC-1**

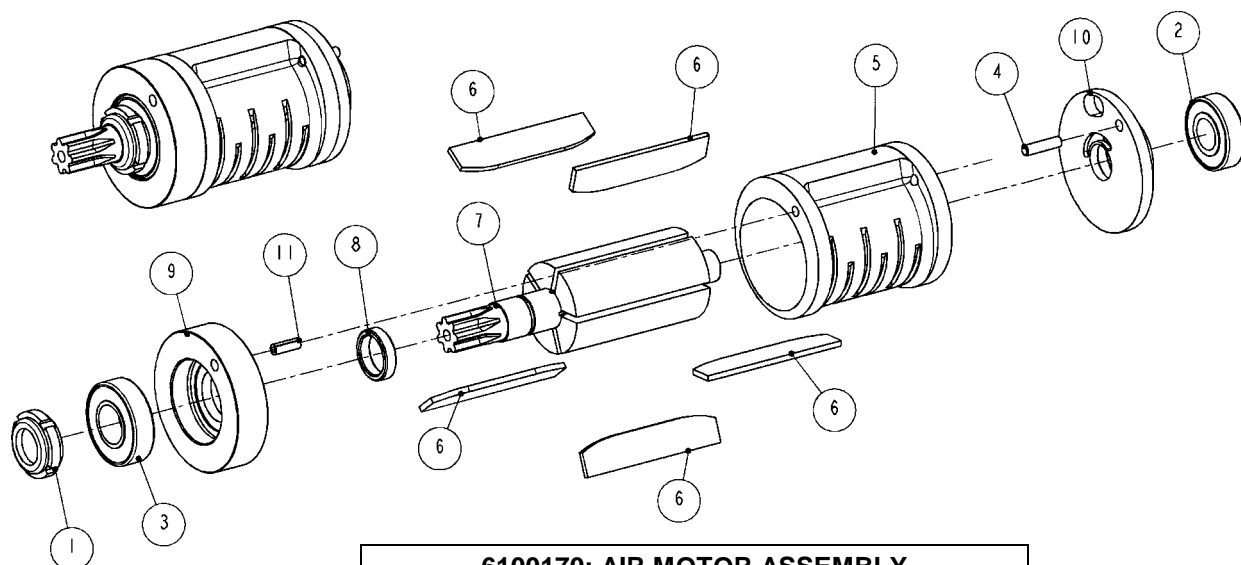
RNC-1  
**WHEEL, SCRAPER**



<b>6100100: WHEEL, SCRAPER, ASSEMBLY</b>			
ITEM	PART #	DESCRIPTION	QTY
1	6100580	SPACER	3
2	6100590	PIN	12
3	6100600	FLANGE, INT.	2
4	6100610	FLANGE, EXT.	2
5	6100640	SCRAPER	12
6	6100650	SPACER, TUBING	8
7	6100660	SLEEVE	8
8	8411320	SCREW	8
9	8504110	NUT	8

**Figure 4 6100100: WHEEL, SCRAPER**

RNC-1  
**AIR MOTOR ASSEMBLY**



<b>6100170: AIR MOTOR ASSEMBLY</b>			
ITEM	PART #	DESCRIPTION	QTY
1	3001100	LOCK NUT	1
2	3124010	BEARING	1
3	3124020	BEARING	1
4	6000710	PIN	1
5	6000720	CYLINDER	1
6	6000750	ROTOR BLADES (SET OF 5)	5
7	6100550	ROTOR	1
8	6100690	SPACER	1
9	6100760	END PLATE - FRONT	1
10	6100770	REAR PLATE	1
11	8612500	ROLL PIN	1

**MOTOR DISASSEMBLY**

1. TO DISASSEMBLE, REMOVE NUT, ITEM 1. PRESS ROTOR, ITEM 7, OUT THRU FRONT PLATE, ITEM 9 AND BEARING, ITEM 3. MOTOR ASSEMBLY SHOULD SLIDE APART.
2. PRESS ROTOR, ITEM 7, OUT OF BEARING, ITEM 3.

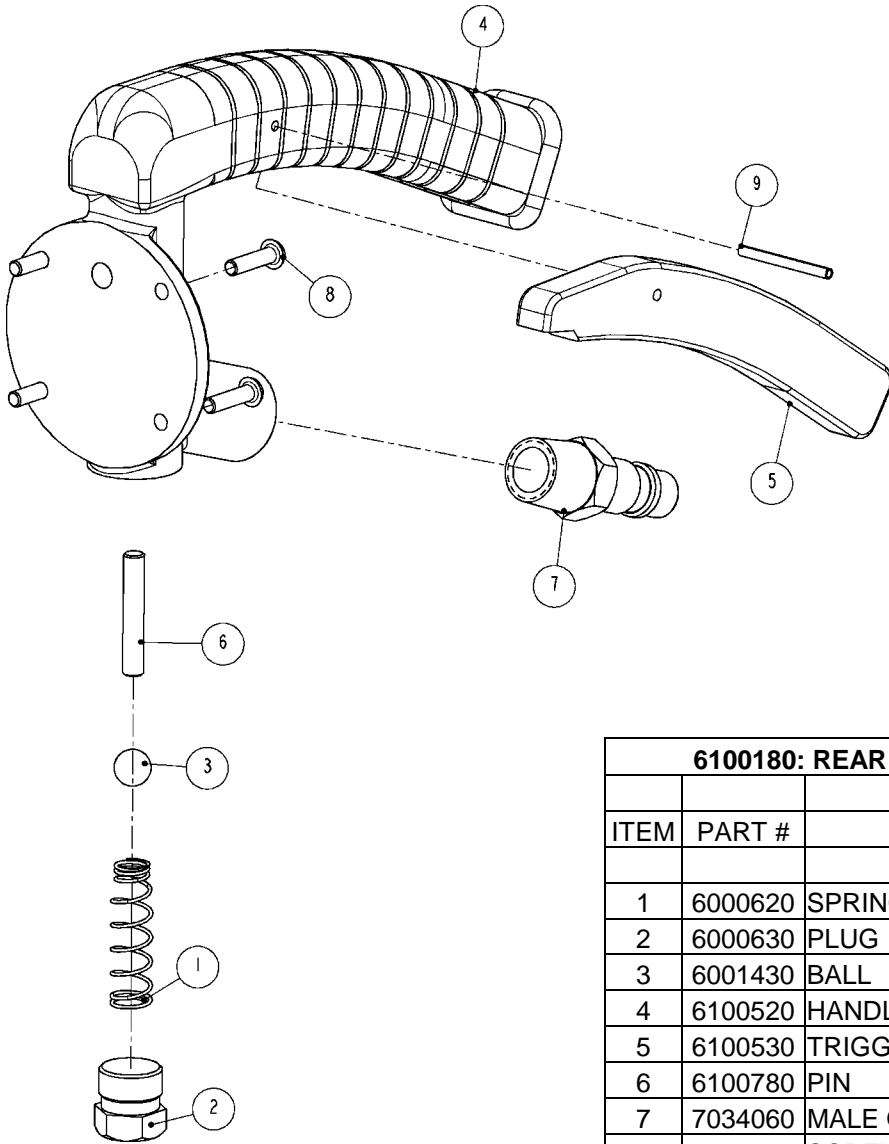
**MOTOR REASSEMBLY**

1. CLEAN AND LUBRICATE ALL PARTS.
2. REPLACE PARTS AS NEEDED.
3. REASSEMBLE PARTS IN REVERSE ORDER.

**Figure 5 6100170: AIR MOTOR ASSEMBLY**



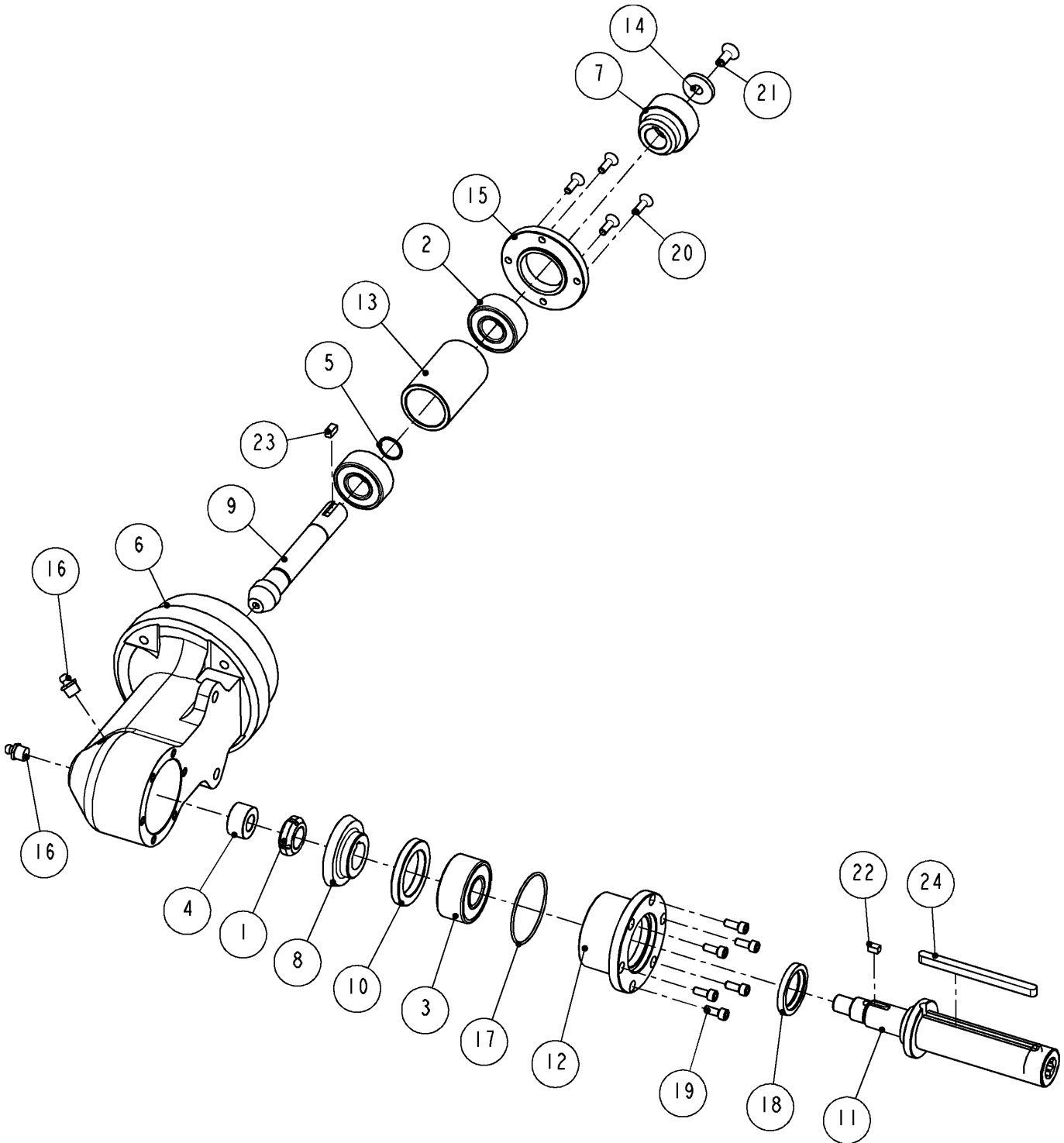
**REAR HANDLE ASSEMBLY**



6100180: REAR HANDLE ASSEMBLY			
ITEM	PART #	DESCRIPTION	QTY
1	6000620	SPRING	1
2	6000630	PLUG	1
3	6001430	BALL	1
4	6100520	HANDLE, REAR	1
5	6100530	TRIGGER, REAR HANDLE	1
6	6100780	PIN	1
7	7034060	MALE QUICK CONNECT	1
8	8029060	SCREW	4
9	8612220	ROLL PIN	1

**Figure 6 6100180: REAR HANDLE ASSEMBLY**

**GEAR HOUSING ASSEMBLY**



**Figure 7 6100200: GEAR HOUSING ASSEMBLY**

RNC-1

<b>6100200: GEAR HOUSING ASSEMBLY</b>			
ITEM	PART #	DESCRIPTION	QTY
1	3001110	LOCK NUT	1
2	3524030	BEARING	2
3	3524040	BEARING	1
4	3705420	BEARING	1
5	5620660	RETAINING RING	1
6	6100510	NOSE	1
7	6100540	GEAR, INTERNAL	1
8	6100560	BEVEL GEAR	1
9	6100570	BEVEL PINION	1
10	6100620	RETAINER, BEARING	1
11	6100630	SHAFT, SCRAPER WHEEL	1
12	6100670	HOLDER, BEARING	1
13	6100680	SPACER	1
14	6100720	RETAINER	1
15	6100740	FLANGE, NOSE	1
16	7018200	LUBE FITTING	2
17	7680330	O-RING	1
18	7798210	OIL SEAL	1
19	8209040	SCREW	6
20	8239050	SCREW	4
21	8270830	SCREW	1
22	8603010	SQUARE KEY	1
23	8603020	SQUARE KEY	1
24	8605300	SQUARE KEY	1

**GEAR HOUSING DISASSEMBLY**

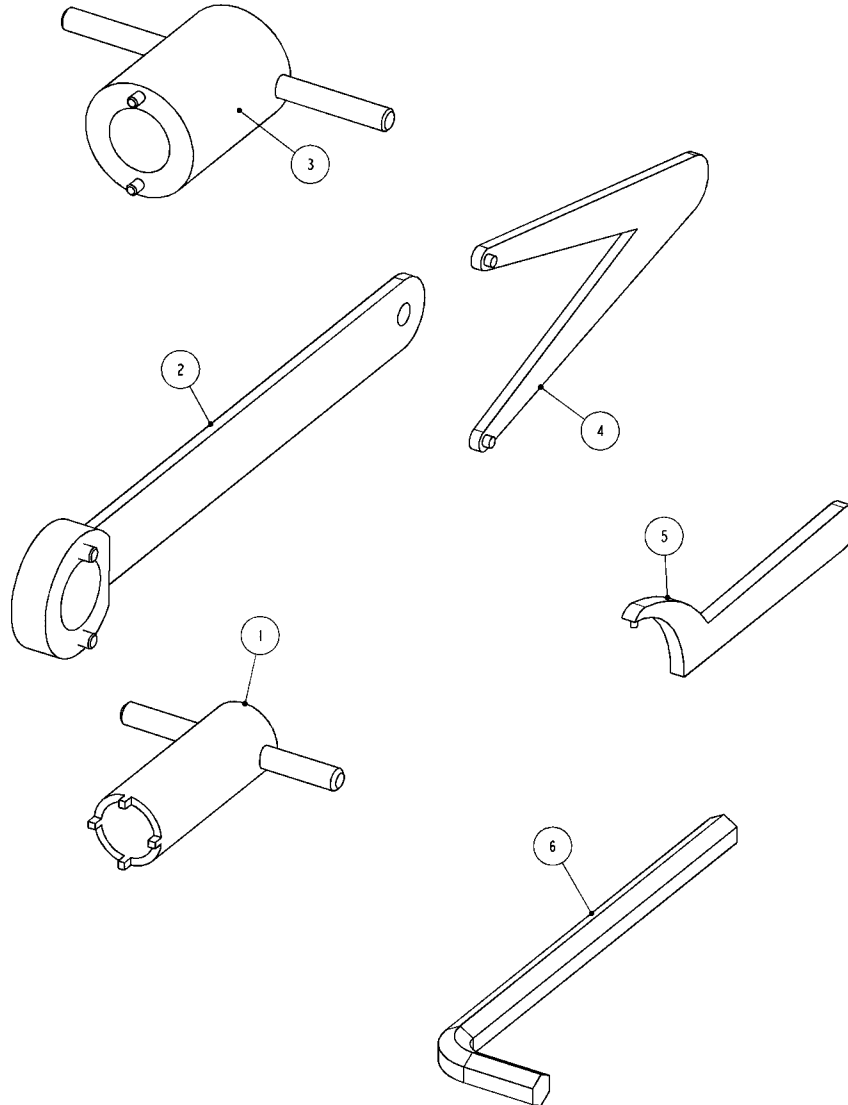
1. REMOVE SCREWS, ITEM 19. PULL OUT HOUSING, ITEM 12 (DRIVEN CARTRIDGE).
2. REMOVE NUT, ITEM 1. THE CARTRIDGE ASSEMBLY SHOULD JUST SLIDE OUT.
3. REMOVE SCREWS, ITEMS 20 AND 21.
4. TAKE OUT SHAFT, ITEM 9.
5. REMOVE (4) SCREWS, ITEM 6, TO DISASSEMBLE GEAR AND MANDREL, ITEMS 4 AND 5.

**GEAR HOUSING REASSEMBLY**

1. CLEAN AND LUBRICATE ALL PARTS.
2. REPLACE PARTS AS NEEDED.
3. REASSEMBLE PARTS IN REVERSE ORDER.

**Figure 8 BOM FOR 6100200: GEAR HOUSING ASSEMBLY**

**SPECIAL TOOLS (OPTIONAL)**

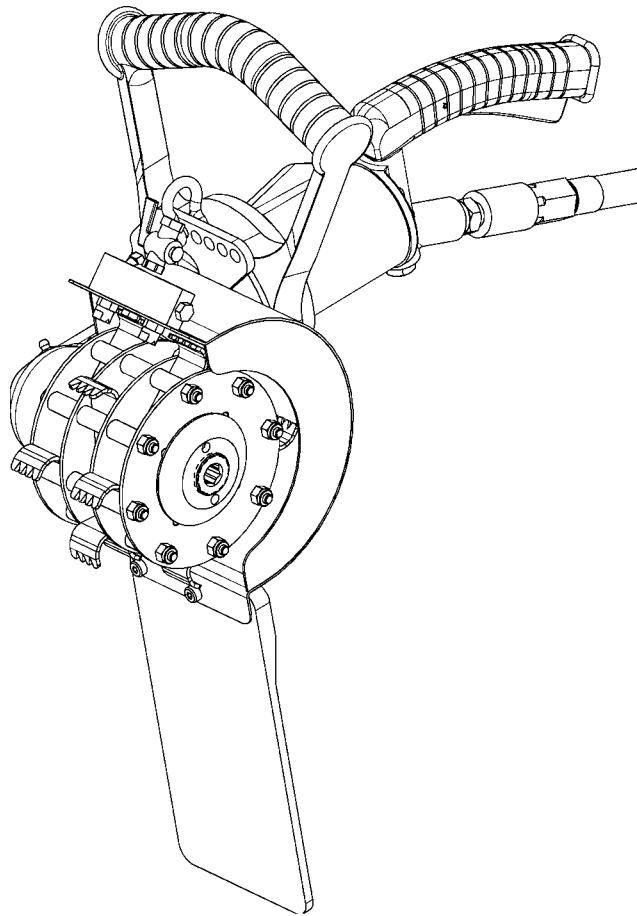


4501620	HEX WRENCH
4501550	SPANNER WRENCH
4501630	SPANNER WRENCH
4501640	WRENCH, DRIVE SHAFT SLEEVE
4501610	WRENCH
4501320	SPANNER WRENCH AND HANDLE
ITEM	DESCRIPTION
<b>RNC-1 SPECIAL TOOLS (OPTIONAL)</b>	

**Figure 9 RNC-1, SPECIAL TOOLS (OPTIONAL)**

[ENGLISH]

## GENERAL INFORMATION



### **RNC-1 : ROTO NECK CLEANER (6100000)**

#### SERVICE CENTERS

**KENTMASTER LTD. (U.K)**  
16 AVONBANK INDUSTRIAL CENTRE  
WEST TOWN ROAD  
AVONMOUTH - BRISTOL BS11 9DE  
UNITED KINGDOM

☎ TELEPHONE: ++ 44- (0) 117- 9235035  
FAX: ++ 44- (0) 117- 9829010

**KENTMASTER MFG. CO., INC.**  
1801 SOUTH MOUNTAIN AVE.  
MONROVIA, CALIFORNIA 91016  
UNITED STATES OF AMERICA

☎ TELEPHONE: (626) 359-8888  
FAX: (626) 303-5151

**NOTICE TO EMPLOYER AND PURCHASER OF TOOL**  
**NOTICE TO SAFETY DIRECTOR**

**You have purchased a powerful tool that, if misused, can cause severe injury and harm to your employees. You must instruct your employees in the safe and proper use of this tool and to follow the safety procedures and instructions that have been supplied by the manufacturer of this tool. Please follow the following instructions.**



1. Instruct tool operators to test the tool each day before using it to be sure it does not malfunction. Remove and repair any tool that malfunctions.
2. Instruct tool operators to immediately stop using a tool that malfunctions or is defective.
3. Instruct personnel to immediately remove all tools that malfunction. Be sure to disconnect tool from power supply.
4. Instruct all personnel to stay clear of tool, and not to stand or walk in front of, or next to tool when in use.
5. Point out to all personnel the dangers related to the misuse of tool and the importance of following safety procedures and instructions.
6. Do not make, or allow others to make, alterations or modifications to this tool. Replace all lost or illegible labels.
7. Follow all safety, installation and maintenance instructions provided with this tool. Establish proper safety procedures in accordance with local and national requirements to prevent accidental energizing of tool that can cause injuries.
8. If this tool is sold or change in ownership takes place, you must provide the new owner all safety instructions, notices and maintenance instructions you were originally provided. You can obtain additional copies of the instructions from Kentmaster, free of charge upon request.
9. Give copies of instructions to:
  - (A) Tool Operators
  - (B) Maintenance Supervisor
  - (C) Clean-up Supervisor

**DECLARATION OF CONFORMITY**

**DECLARATION OF CONFORMITY**

DECLARATION DE CONFORMITE -DECLARACION DE CONFORMIDAD- ERKLARUNG BEZUGLICH EINHALTUNG DER VORSCHRIFTEN  
DICHIARAZIONE DI CONFORMITA . CONFORMITEITSVERKLARING

**MANUFACTURED BY:**

FABRIQUE PAR:  
FABRICADA POR:  
HERGESTELLTVON:  
FABBRICATO DA:  
VERVAARDIGD DOOR:

**KENTMASTER MFG CO., INC.  
1801 SOUTH MOUNTAIN AVE.  
MONROVIA, CALIFORNIA 91016  
UNITED STATES OF AMERICA  
TELEPHONE (626) 359-8888 FAX (626) 303-5151**

**TYPE / SERIES: ROTO NECK CLEANER**

TYPE / SERIE:  
TIPO / SERIE:  
TYP / SERIE:  
TIPO / SERIE:  
TYPE / SERIE:

**MODEL: RNC-1**

MODELE:  
MODELO:  
MODELL:  
MODELLO:  
MODEL:

**SERIAL NO. RANGE: XXXXX**

N SERIE: • GAMA DE No. DE SERIE: • SERIEN-NR.-BEREICH: • NUMERI DI SERIE: • SERIENUMMERS:

**This product complies with the following European Community Directives:**

Ce produit est conforme aux directives de la Communauté européenne suivantes:  
Este producto cumple con las siguientes Directrices de la Comunidad Europea:  
Dieses Produkt erfüllt die folgenden Vorschriften der Europäischen Gemeinschaft:  
Questo prodotto è conforme alle seguenti direttive CEE:  
Dit produkt voldoet aan de volgende EG-richtlijnen:

**89/392/EEC, 91/368/EEC, 93/44/EEC, 93/68/EEC**

**The following Standards were used to verify compliance with the Directives:**

Les normes suivantes ont été utilisées pour vérifier la conformité avec les Directives:  
Las siguientes Normas se usaron para verificar el cumplimiento de las Directrices:  
Folgende Normen wurden angewandt, um Erfüllung der Vorschriften zu bestätigen:  
Per verificare la conformità del prodotto alle direttive sono stati usati i seguenti standard:  
De volgende normen zijn gebruikt om naleving van de richtlijnen te bevestigen:

**EN 292**

**Approved by:** \_\_\_\_\_

RALPH KARUBIAN MONROVIA, CA. U.S.A

(Engineering Manager) (Directeur technique) (gerente de ingenieria) (verantwortlicher Konstruktionsleiter) (Responsabile tecnico) (ondersteunend technisch manager)

**Date:** AUG - 1 - 1995

## Kentmaster Worldwide Location

Kentmaster Equipment (Aust) PTY.LTD.

Unit 2,24 Central Court  
Browns Plains Qld. 4118  
Australia

Telephone: (07) 3806-8400

Fax: (07) 3806-7933

[Australia@Kentmaster.com](mailto:Australia@Kentmaster.com)

---

Kentmaster do Brasil, Ltda.

Av. Dr. Joao Teodoro No. 805  
Bairro De Vila Rezende  
13405-240 Piracicaba, SP,  
Brazil

Telephone #1: (019) 3 413 3113

Telephone #2: (019)983-4973

Fax: (019) 3 413 3113

[Brazil@Kentmaster.com](mailto:Brazil@Kentmaster.com)

---

Kentmaster (IRL) LTD.

Benamore, Dublin Road.  
Roscrea,  
CO, Tipperary,  
Ireland

Telephone: (353) 0505-23292

Fax: (353) 0505-23299

[Ireland@Kentmaster.com](mailto:Ireland@Kentmaster.com)

---

Kentmaster Equipment (NZ) LTD.

5 Cooper Street  
Havelock North  
New Zealand

Telephone #1: (64) 6 8777 857

Telephone #2: 0800 KENTMASTER

Fax: (64) 6 8777 858

[NewZealand@Kentmaster.com](mailto:NewZealand@Kentmaster.com)

---

Kentmaster South Africa (PTY) LTD.

Johannesburg - S. Africa  
Unit 54 Sunnyrock Park  
Sunrock Close, Germiston  
South Africa

Telephone: (27) 11-455-3748

Fax: (27) 11-455-3749

[SouthAfrica@Kentmaster.com](mailto:SouthAfrica@Kentmaster.com)

---

Kentmaster (UK ) LTD.

Unit 16 Avonbank Ind. Centre  
West Town Rd, Avonmouth-Bristol,  
BS11 9DE  
England

Telephone: (44) 117-923-5035

Fax: (44)-117-932-9010

[UK@Kentmaster.com](mailto:UK@Kentmaster.com)

---

Kentmaster Mfg. Co., Inc.

1801 South Mountain Ave.  
Monrovia, CA, 91016  
USA

Telephone #1: (626) 359-8888

Telephone #2: (800) 421-1477

Fax: (626) 303-5151

[info@Kentmaster.com](mailto:info@Kentmaster.com)

---

Kentmaster Omaha

4417 South 139th Street  
Omaha, NE, 68137  
USA

Telephone #1: (402) 896-3355

Telephone #2: (800) 367-3181

Fax: (402) 896-3311

[Omaha@Kentmaster.com](mailto:Omaha@Kentmaster.com)

---



RNC-1  
**INDEX**

*OPERATING AND SAFETY INSTRUCTIONS* ..... 2  
    *OPERATING INSTRUCTIONS* ..... 3  
    *MAINTENANCE* ..... 3  
*SERVICE* ..... 4  
*PARTS BOOK*..... 4  
*MODEL RNC-1, ROTO NECK CLEANER*..... 5  
    *WHEEL, SCRAPER*..... 7  
    *AIR MOTOR ASSEMBLY* ..... 8  
    *MOTOR DISASSEMBLY* ..... 8  
    *MOTOR REASSEMBLY*..... 8  
    *REAR HANDLE ASSEMBLY* ..... 9  
    *GEAR HOUSING ASSEMBLY* ..... 10  
    *GEAR HOUSING DISASSEMBLY* ..... 11  
    *GEAR HOUSING REASSEMBLY* ..... 11  
    *SPECIAL TOOLS (OPTIONAL)*..... 12  
*DECLARATION OF CONFORMITY* ..... 15  
*Kentmaster Worldwide Location* ..... 16  
*INDEX*..... 17  
*FIGURES - INDEX* ..... 17

**FIGURES - INDEX**

Figure 1 RNC-1..... 4  
Figure 2 MODEL RNC-1..... 5  
Figure 3 BOM FOR MODEL RNC-1 ..... 6  
Figure 4 6100100: WHEEL, SCRAPER ..... 7  
Figure 5 6100170: AIR MOTOR ASSEMBLY ..... 8  
Figure 6 6100180: REAR HANDLE ASSEMBLY ..... 9  
Figure 7 6100200: GEAR HOUSING ASSEMBLY ..... 10  
Figure 8 BOM FOR 6100200: GEAR HOUSING ASSEMBLY ..... 11  
Figure 9 RNC-1, SPECIAL TOOLS (OPTIONAL) ..... 12